



Chipsmall Limited consists of a professional team with an average of over 10 year of expertise in the distribution of electronic components. Based in Hongkong, we have already established firm and mutual-benefit business relationships with customers from,Europe,America and south Asia,supplying obsolete and hard-to-find components to meet their specific needs.

With the principle of “Quality Parts,Customers Priority,Honest Operation,and Considerate Service”,our business mainly focus on the distribution of electronic components. Line cards we deal with include Microchip,ALPS,ROHM,Xilinx,Pulse,ON,Everlight and Freescale. Main products comprise IC,Modules,Potentiometer,IC Socket,Relay,Connector.Our parts cover such applications as commercial,industrial, and automotives areas.

We are looking forward to setting up business relationship with you and hope to provide you with the best service and solution. Let us make a better world for our industry!



## Contact us

Tel: +86-755-8981 8866 Fax: +86-755-8427 6832

Email & Skype: info@chipsmall.com Web: www.chipsmall.com

Address: A1208, Overseas Decoration Building, #122 Zhenhua RD., Futian, Shenzhen, China

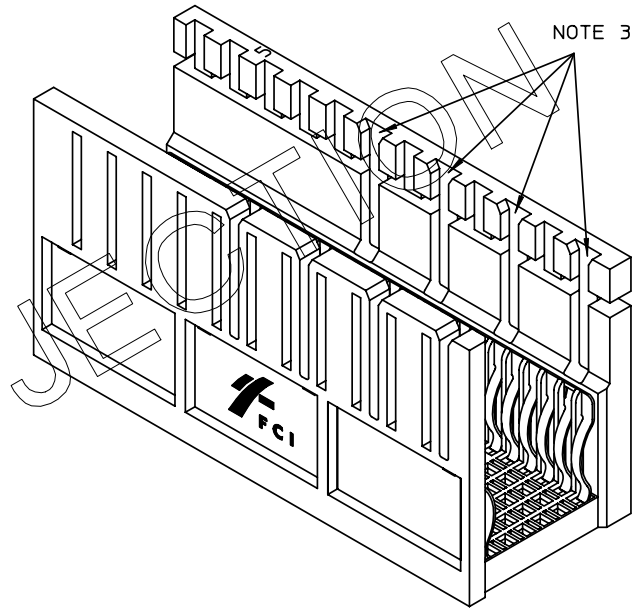
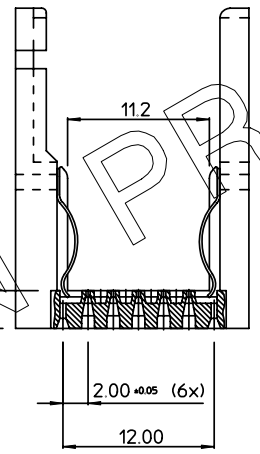
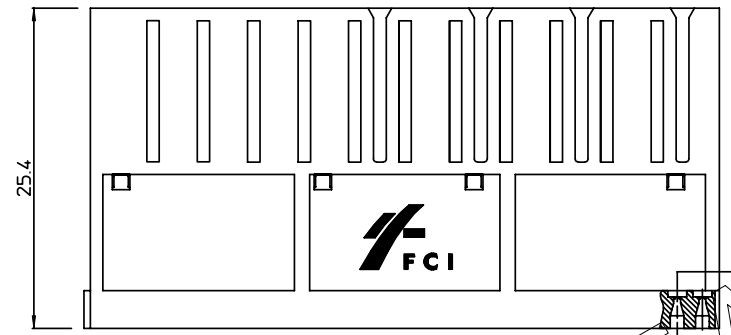
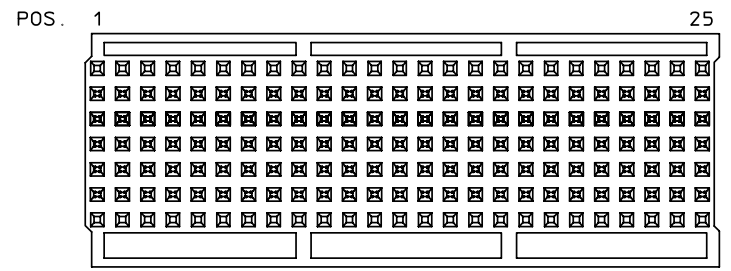


BS,C ,201995,004

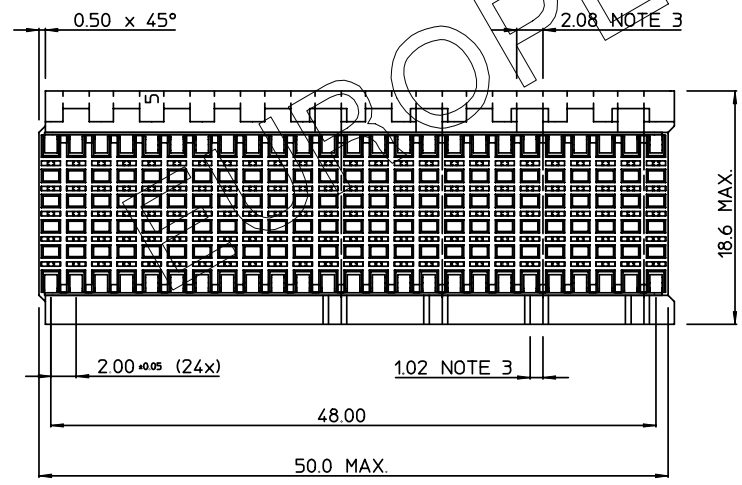
B

GEN. ST.	01	02	03	04	05	06	07	08	0D	50	60	70	80	90																
INT. ST.	10	11	12	13	14	18	20	31	32	33	34	38	39	40	42	43	44	45	46	48	56	70	72	73	76	81	82	83	84	88

REV.	DATE	DESCRIPTION	BY	C'K'D'
A	2003-01-21	CONVERSION REVISION OF	KN	
B	2006-08-03	106-0119	VIVEK	BKP



PART NR.	KEYED SLOT POS.
HM2H00P16	NO KEYED SLOTS
HM2H27P16	2, 6, 20, 24
HM2H28P16	16, 20, 24
HM2H29P16	12, 16, 20, 24
HM2H30P16	3, 7, 11
HM2H36P16	3, 7, 11, 15, 19, 23



NOTES :

- MATERIAL : HOUSING : GLASSREINFORCED POLYESTER UL94-V0  
SPRING CONTACTS : COPPER ALLOY
- PLATING : 2.5 - 6.4 μ SnPb (90/10) OVER 1.2 - 3.8 μ Ni.
- LOCATIONS OF SLOTS SEE TABLE ABOVE. AS EXAMPLE THE SHROUD TYPE HM2H29P16 IS DRAWN WITH DISCRIMINATION - POLARISATION SLOTS IN POSITIONS 12, 16, 20 AND 24.

1DEC ±0.2 2DEC ±0.1 ANGLES ±1°	APPR.	DATE	SIGN.	MRV SHROUDS 50 MM FOR SCHLUMBERGER / SHIELDED
	DRAFT	1995-09-07	G.Droesbeke	CAT. No. HM2H--P16
WE RESERVE THE RIGHT TO CHANGE DIMENSIONS OR REQUIREMENTS WITHOUT PRIOR NOTICE.	CHECKED			SCALE
	PROD. MGR.			FCI www.fciconnect.com
	PR. ENG. MGR.			2.5/1
	PR. MGT. MGR.			
ALL DIMENSIONS IN MM	REFERENCES			
	BS,C ,201995,004 B			
	DRAWING No. CUSTOMER DRAWING REVISION			

THIS IS OUR EXCLUSIVE PROPERTY. IT IS NOT TO BE COPIED, REPRINTED OR DISCLOSED TO A THIRD PARTY, NOR USED FOR MANUFACTURE WITHOUT OUR WRITTEN CONSENT, AND HAS TO BE RETURNED TO US IN CASE OF NO USAGE

DIT IS ONZE EIGENDOM EN MAG NOCH NAERMAAKT, HERDRUKT, OVERGEMAAKT AAN DEREN, NOCH VOOR FABRIKATIE GEBRUIKT WORDEN, ZONDER ONZE SCHRIFTELIJKE TOELATING. BIJ NIET GEBRUIK IS TERUGZENDING VERPLICHT.