



Chipsmall Limited consists of a professional team with an average of over 10 year of expertise in the distribution of electronic components. Based in Hongkong, we have already established firm and mutual-benefit business relationships with customers from,Europe,America and south Asia,supplying obsolete and hard-to-find components to meet their specific needs.

With the principle of "Quality Parts,Customers Priority,Honest Operation,and Considerate Service",our business mainly focus on the distribution of electronic components. Line cards we deal with include Microchip,ALPS,ROHM,Xilinx,Pulse,ON,Everlight and Freescale. Main products comprise IC,Modules,Potentiometer,IC Socket,Relay,Connector.Our parts cover such applications as commercial,industrial, and automotives areas.

We are looking forward to setting up business relationship with you and hope to provide you with the best service and solution. Let us make a better world for our industry!



Contact us

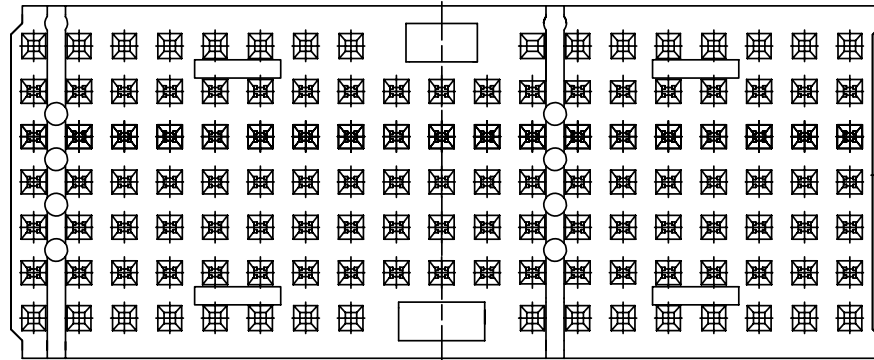
Tel: +86-755-8981 8866 Fax: +86-755-8427 6832

Email & Skype: info@chipsmall.com Web: www.chipsmall.com

Address: A1208, Overseas Decoration Building, #122 Zhenhua RD., Futian, Shenzhen, China

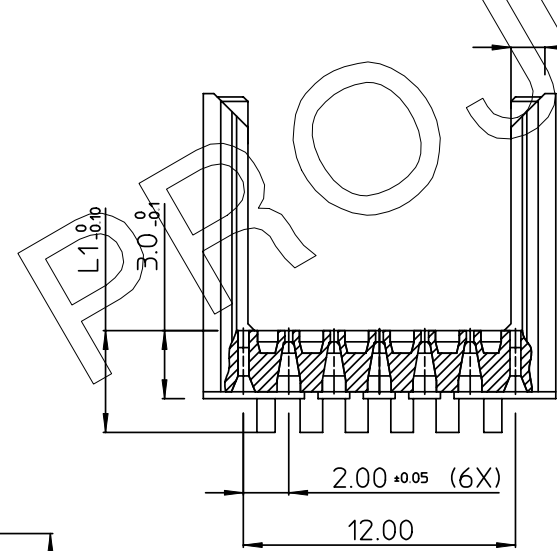
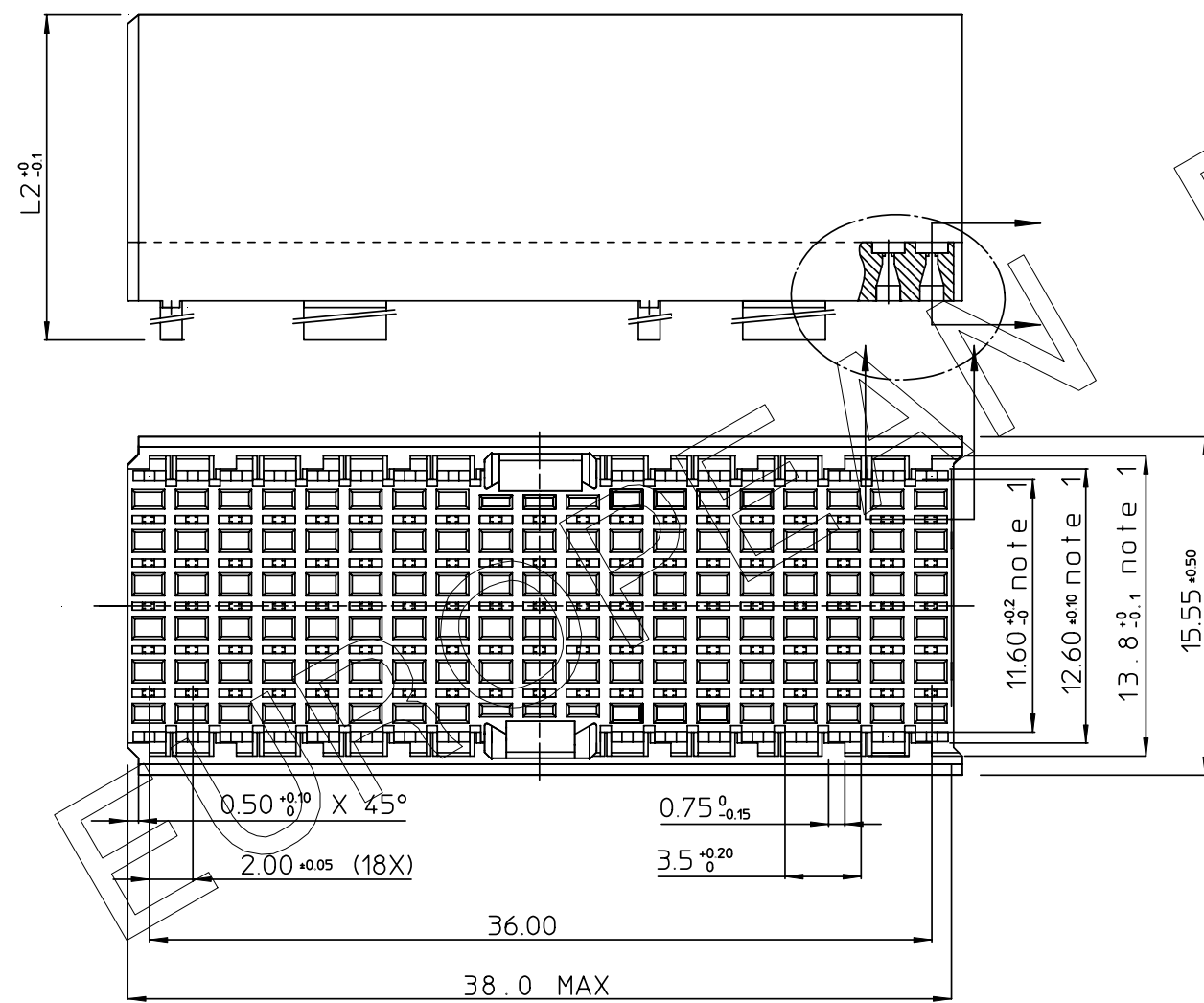


REV.	DATE	DESCRIPTION	BY	C'K'D'
A	14-09-01	CONVERSION REVISION 00	KN	
B	21-03-03	EC B30060	MF	
C	22-11-05	105-0241	ALEX B	BKP
D	06-04-06	106-0045	ALEX B	BKP



ABRIDGED
CAT No MARKED

- NOTES: 1. MEASURED AT THE BOTTOM
 2. MATERIAL: LCP 30% GLASSFILLED
 3. THE "LF" PRODUCT MEETS EUROPEAN UNION DIRECTIVES AND OTHER COUNTRY REGULATIONS AS DESCRIBED IN GS-22-008.
 4. PARTS WITH AND WITHOUT SUFFIX LF TO THE PRODUCT PART NUMBER ARE IDENTICAL IN FORM, FIT AND FUNCTION. LF SUFFIX IS ADDED TO THE PART NUMBER OF THIS PRODUCT TO HAVE UNIFORM IDENTIFICATION OF ALL RoHS COMPATIBLE PRODUCTS.



RoHS COMPATIBLE
(DIGIT 11 & 12)
 HM2H67P1--LF
 STANDOFF HEIGHT INDICATOR

PART NUMBER	L1	L2	AVAILABILITY
HM2H67P1LF	3.0	13.45	AVAILABLE
HM2H67P109LF	3.9	14.35	AVAILABLE
HM2H67P111LF	4.1	14.55	AVAILABLE
HM2H67P113LF	4.3	14.75	AVAILABLE
HM2H67P115LF	4.5	14.95	AVAILABLE
HM2H67P117LF	4.7	15.15	AVAILABLE
HM2H67P119LF	4.9	15.35	AVAILABLE
HM2H67P122LF	5.2	15.65	AVAILABLE
HM2H67P130LF	6.0	16.45	AVAILABLE

1DEC ±0.2 2DEC ±0.1 ANGLES ±1°	APPR.	DATE	SIGN.	MPACS 5R STR SHR TYPE AB 19 POS
WE RESERVE THE RIGHT TO CHANGE DIMENSIONS OR REQUIREMENTS WITHOUT PRIOR NOTICE.	DRAFT	11-06-99	N. O. t. o	CAT. No. HM2H67P1--LF
	CHECKED			
	PR. ENG. MGR.			www.fciconnect.com
PR. MGT. MGR.			SCALE	
ALL DIMENSIONS IN MM	REFERENCES			BS,C ,201630,043 DRAWING No. CUSTOMER DRAWING REVISION D

THIS IS OUR EXCLUSIVE PROPERTY. IT IS NOT TO BE COPIED, REPRINTED OR DISCLOSED TO A THIRD PARTY, NOR USED FOR MANUFACTURING WITHOUT OUR WRITTEN CONSENT, AND HAS TO BE RETURNED TO US IN CASE OF NO USAGE

DIT IS ONZE EIGENDOM EN MAG NOCH NAGEMAAKT. HERDRUKT, OVERGEMAAKT AAN DERDEN, NOCH VOOR FABRIKATIE GEBRUIKT WORDEN, ZONDER ONZE SCHRIFTELIJKE TOELATING. BIJ NIET GEBRUIK IS TERUGZENDING VERPLICHT.