



Chipsmall Limited consists of a professional team with an average of over 10 year of expertise in the distribution of electronic components. Based in Hongkong, we have already established firm and mutual-benefit business relationships with customers from,Europe,America and south Asia,supplying obsolete and hard-to-find components to meet their specific needs.

With the principle of “Quality Parts,Customers Priority,Honest Operation,and Considerate Service”,our business mainly focus on the distribution of electronic components. Line cards we deal with include Microchip,ALPS,ROHM,Xilinx,Pulse,ON,Everlight and Freescale. Main products comprise IC,Modules,Potentiometer,IC Socket,Relay,Connector.Our parts cover such applications as commercial,industrial, and automotives areas.

We are looking forward to setting up business relationship with you and hope to provide you with the best service and solution. Let us make a better world for our industry!



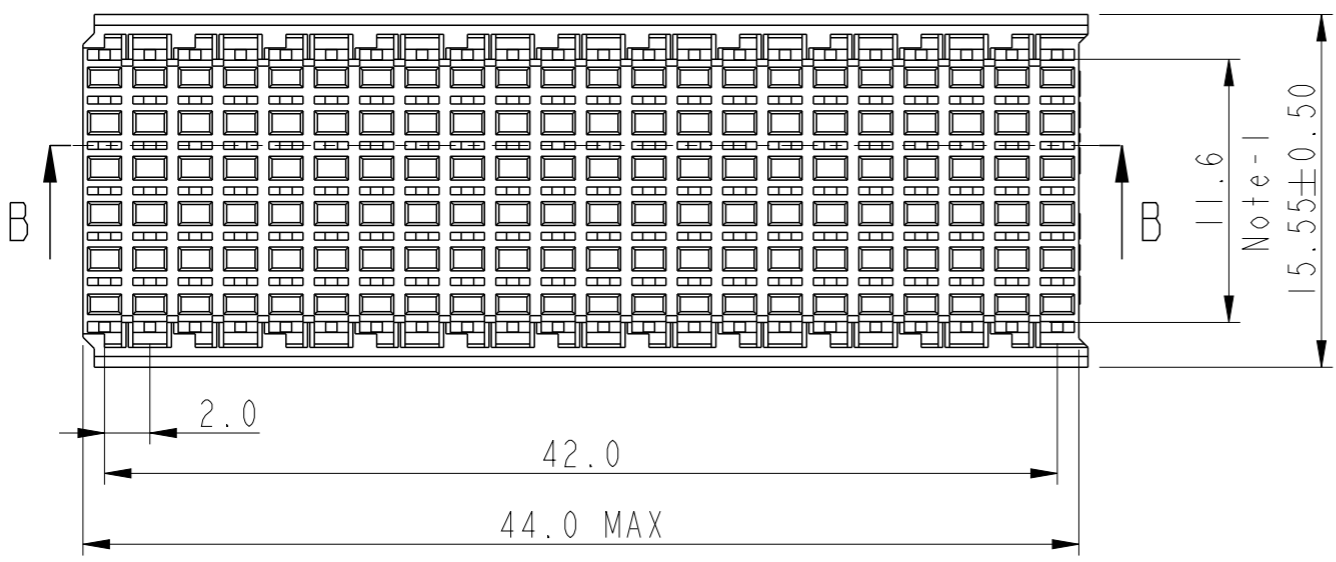
Contact us

Tel: +86-755-8981 8866 Fax: +86-755-8427 6832

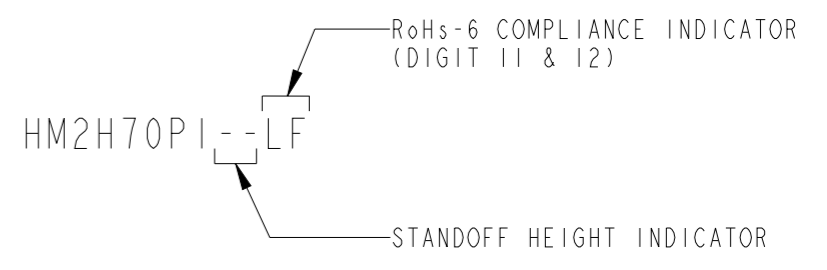
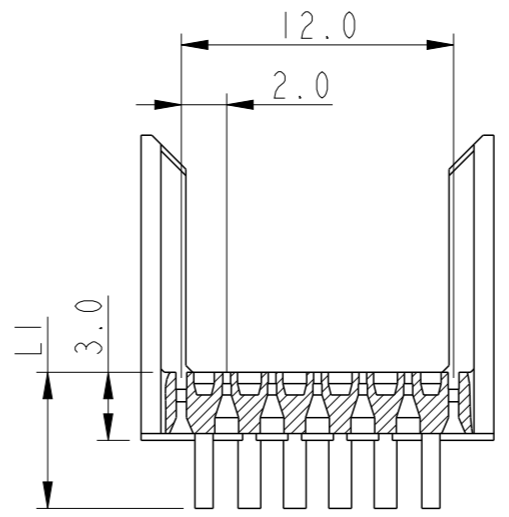
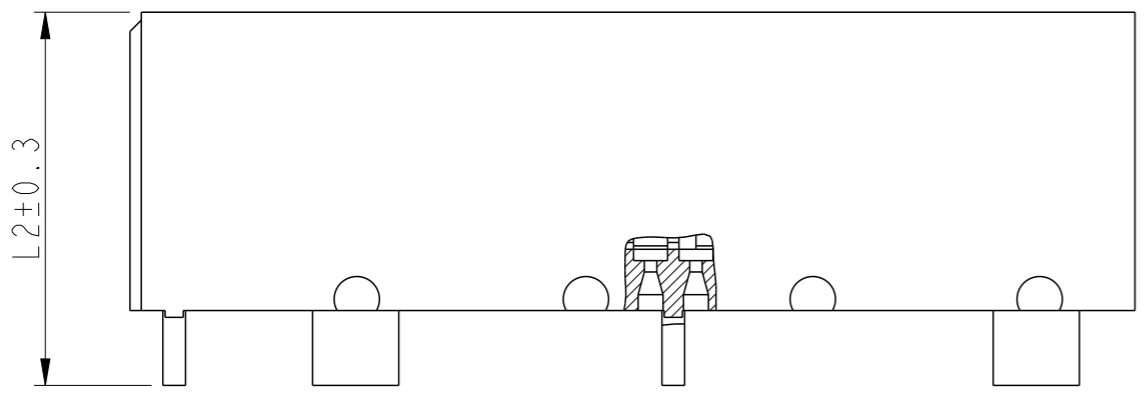
Email & Skype: info@chipsmall.com Web: www.chipsmall.com

Address: A1208, Overseas Decoration Building, #122 Zhenhua RD., Futian, Shenzhen, China

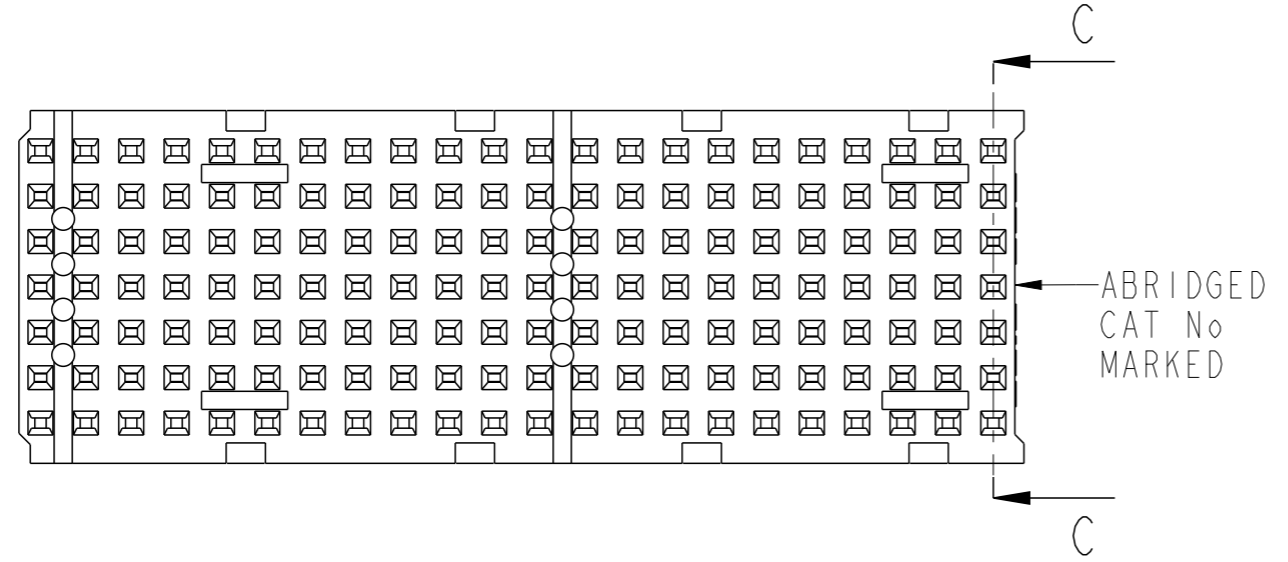




- NOTES:
- 1, MEASURED AT THE BOTTOM
 - 2, MATERIAL : GLASS REINFORCED POLYESTER UL94-V0
 - 3, THE PRODUCT (LF) MEETS EUROPEAN UNION DIRECTIVES AND OTHER COUNTRY REGULATIONS AS DESCRIBED IN GS-22-008
 - 4, PARTS WITH AND WITHOUT SUFFIX LF TO THE PRODUCT PART NUMBER ARE IDENTICAL IN FORM , FIT AND FUNCTION LF SUFFIX IS ADDED TO THE PART NUMBER OF THIS PRODUCT TO HAVE UNIFORM IDENTIFICATION OF ALL RoHs COMPATIBLE PRODUCTS



SECTION C-C



CAT. NO.	L1	L2	
HM2H70PI LF	3.0	13.45	AVAILABLE
HM2H70PI09LF	3.9	14.35	AVAILABLE
HM2H70PI11LF	4.1	14.55	AVAILABLE
HM2H70PI13LF	4.3	14.75	AVAILABLE
HM2H70PI15LF	4.5	14.95	AVAILABLE
HM2H70PI17LF	4.7	15.15	AVAILABLE
HM2H70PI19LF	4.9	15.35	AVAILABLE
HM2H70PI22LF	5.2	15.65	AVAILABLE
HM2H70PI30LF	6.0	16.45	AVAILABLE

www.fciconnect.com		surface - ✓ ISO 1302	tolerance std ISO 406 ISO 1101	projection mm
TOLERANCES UNLESS OTHERWISE SPECIFIED				←→
Dr	Alex Babu	2008-12-16	ANGULAR	0.X ±0.2
Eng	Alex Babu	2008-12-16	LINEAR	0.XX ±0.1
Chr	Alex Babu	2008-12-16	0° ±1°	size A3
Appr	Biju K Paul	2008-12-16	Product family	ECN 107-0054
			MILLIPACS	Spec ref -
			MILLIPACS 5+2 ROW SHROUD	Rev. F
			TYPE-B (22 Pos)	dwg no BSC201630038
			catalog no HM2H70PI--LF	CUSTOMER sheet 1 of 1

rev	ecn no	dr	date
A	Con Rev 06	KN	2001-09-14
B	105-0241	AB	2005-11-22
C	106-0096	VV	2006-07-04
D	107-0133	AB	2007-10-08
E	107-0054	AB	2008-12-16
F	110-0058	AB	2010-02-23
-	-	-	-



Copyright FCI.