



Chipsmall Limited consists of a professional team with an average of over 10 year of expertise in the distribution of electronic components. Based in Hongkong, we have already established firm and mutual-benefit business relationships with customers from,Europe,America and south Asia,supplying obsolete and hard-to-find components to meet their specific needs.

With the principle of "Quality Parts,Customers Priority,Honest Operation,and Considerate Service",our business mainly focus on the distribution of electronic components. Line cards we deal with include Microchip,ALPS,ROHM,Xilinx,Pulse,ON,Everlight and Freescale. Main products comprise IC,Modules,Potentiometer,IC Socket,Relay,Connector.Our parts cover such applications as commercial,industrial, and automotives areas.

We are looking forward to setting up business relationship with you and hope to provide you with the best service and solution. Let us make a better world for our industry!



Contact us

Tel: +86-755-8981 8866 Fax: +86-755-8427 6832

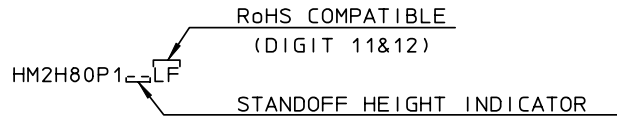
Email & Skype: info@chipsmall.com Web: www.chipsmall.com

Address: A1208, Overseas Decoration Building, #122 Zhenhua RD., Futian, Shenzhen, China

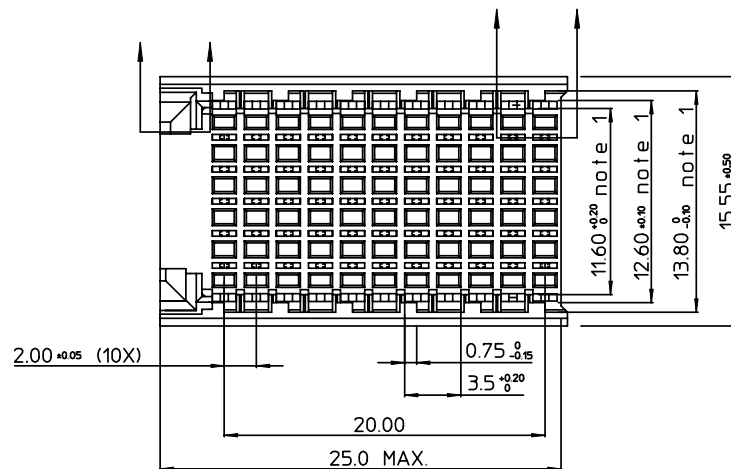
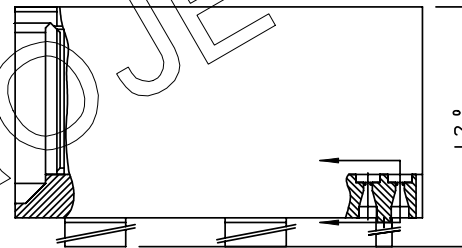
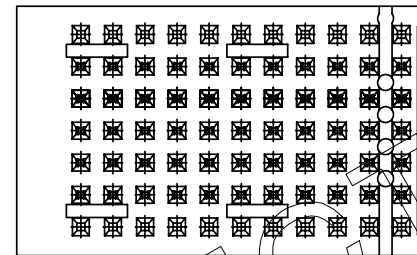
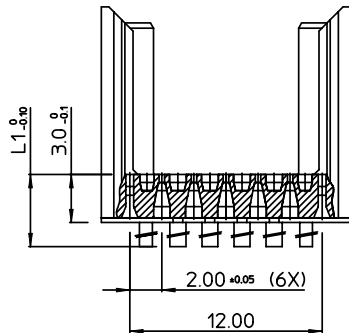


GEN. ST.	01	02	03	04	05	06	07	08	0D	50	60	70	80	90																	
INT. ST.	10	11	12	13	14	18	20	31	32	33	34	38	39	40	42	43	44	45	46	48	56	70	72	73	75	76	81	82	83	84	88

REV.	DATE	DESCRIPTION	BY	C'K'D'
A	2001-09-14	CONVERSION REVISION 04	KN	
B	2005-11-22	105-0241	ALEX B	BKP
C	2006-07-04	106-0096	VIVEK	BKP
D	2009-01-13	109-0007	AB	BKP

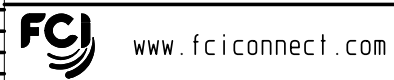


- NOTES: 1. MEASURED AT THE BOTTOM
 2. MATERIAL: GLASSREINFORCED POLYESTER UL94 - V0
 3. THE 'LF' PRODUCT MEETS EUROPEAN UNION DIRECTIVES AND OTHER COUNTRY REGULATIONS AS DESCRIBED IN GS-22-008.
 4. PARTS WITH AND WITHOUT SUFFIX LF TO THE PRODUCT PART NUMBER ARE IDENTICAL IN FORM, FIT AND FUNCTION. LF SUFFIX IS ADDED TO THE PART NUMBER OF THIS PRODUCT TO HAVE UNIFORM IDENTIFICATION OF ALL RoHS COMPATIBLE PRODUCTS.



PART NUMBER	L 1	L 2	
HM2H80P1LF	3.0	13.45	AVAILABLE
HM2H80P109LF	3.9	14.35	AVAILABLE
HM2H80P111LF	4.1	14.55	NOT YET AVAILABLE
HM2H80P113LF	4.3	14.75	NOT YET AVAILABLE
HM2H80P115LF	4.5	14.95	AVAILABLE
HM2H80P117LF	4.7	15.15	AVAILABLE
HM2H80P119LF	4.9	15.35	AVAILABLE
HM2H80P122LF	5.2	15.65	AVAILABLE
HM2H80P130LF	6.0	16.45	AVAILABLE

1DEC ± 0.2 2DEC ± 0.1 ANGLES $\pm 1^\circ$	APPR.	DATE	SIGN.	MILLIPACS 2 HEADER / TYPE CR/ PRESS-FIT CAVITIES
WE RESERVE THE RIGHT TO CHANGE DIMENSIONS OR REQUIREMENTS WITHOUT PRIOR NOTICE.	DRAFT	1995-12-12	W. Panis	CAT. No. HM2H80P1--LF
ALL DIMENSIONS IN MM	CHECKED			SCALE
	PRD. MGR.			3/1
	PR. ENG. MGR.			
	PR. MGT. MGR.			



REFERENCES

