



Chipsmall Limited consists of a professional team with an average of over 10 year of expertise in the distribution of electronic components. Based in Hongkong, we have already established firm and mutual-benefit business relationships with customers from,Europe,America and south Asia,supplying obsolete and hard-to-find components to meet their specific needs.

With the principle of “Quality Parts,Customers Priority,Honest Operation,and Considerate Service”,our business mainly focus on the distribution of electronic components. Line cards we deal with include Microchip,ALPS,ROHM,Xilinx,Pulse,ON,Everlight and Freescale. Main products comprise IC,Modules,Potentiometer,IC Socket,Relay,Connector.Our parts cover such applications as commercial,industrial, and automotives areas.

We are looking forward to setting up business relationship with you and hope to provide you with the best service and solution. Let us make a better world for our industry!



## Contact us

Tel: +86-755-8981 8866 Fax: +86-755-8427 6832

Email & Skype: info@chipsmall.com Web: www.chipsmall.com

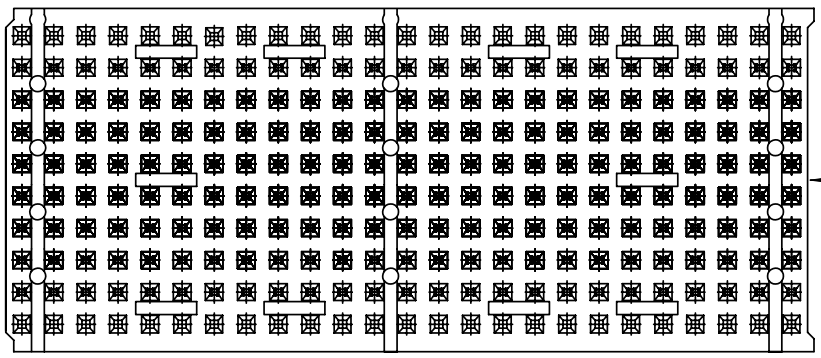
Address: A1208, Overseas Decoration Building, #122 Zhenhua RD., Futian, Shenzhen, China



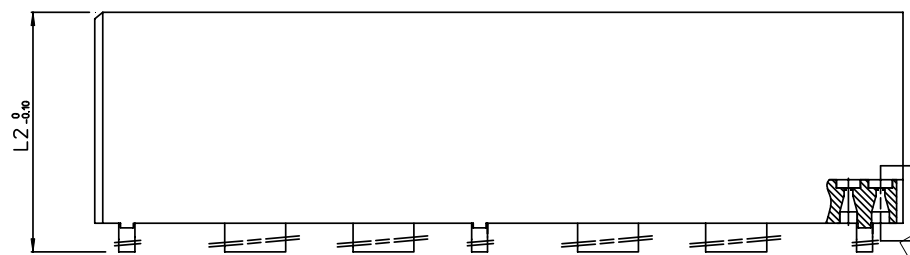
GEN. ST.	01	02	03	04	05	06	07	08	0D	50	60	70	80	90																	
INT. ST.	10	11	12	13	14	18	20	31	32	33	34	38	39	40	42	43	44	45	46	48	56	70	72	73	75	76	81	82	83	84	88

REV.	DATE	DESCRIPTION	BY	C'K'D'
E	2011-06-13	111-0119	ALEX B	BKP
C	2005-11-22	105-0241	ALEX B	BKP
D	2006-08-08	106-0144	ALEX B	BKP

- NOTES:
1. MEASURED AT THE BOTTOM
  2. MATERIAL: GLASSREINFORCED POLYESTER UL94 - V0
  3. THE \*LF\* PRODUCT MEETS EUROPEAN UNION DIRECTIVES AND OTHER COUNTRY REGULATIONS AS DESCRIBED IN GS-22-008.
  4. PARTS WITH AND WITHOUT SUFFIX LF TO THE PRODUCT PART NUMBER ARE IDENTICAL IN FORM, FIT AND FUNCTION. LF SUFFIX IS ADDED TO THE PART NUMBER OF THIS PRODUCT TO HAVE UNIFORM IDENTIFICATION OF ALL RoHS COMPATIBLE PRODUCTS.

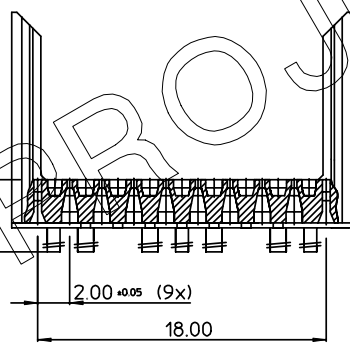


ABRIDGED  
CAT No MARKED



L1

L2

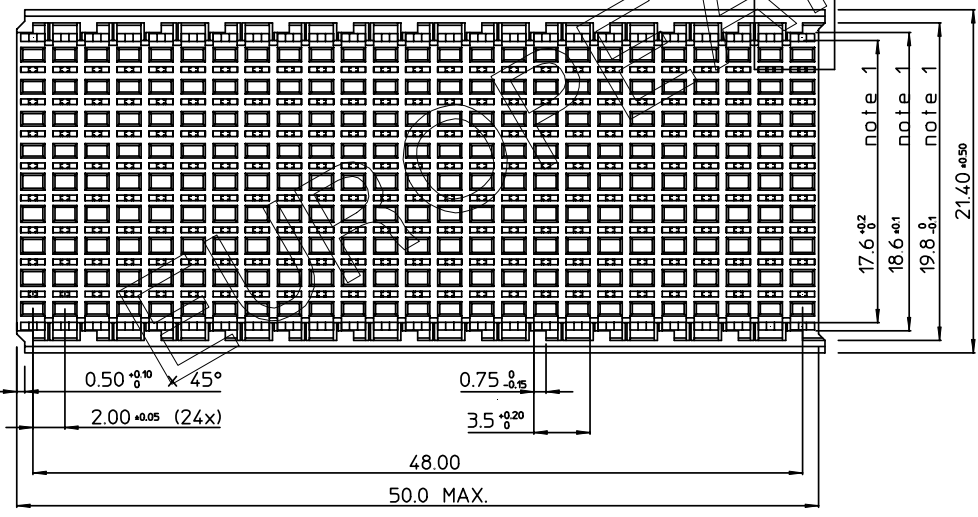


HM2H88P1--LF

RoHS COMPATIBLE  
(DIGIT 11 & 12)

STANDOFF HEIGHT INDICATOR

2.00<sup>+0.05</sup> (9x)  
18.00



note 1  
note 1  
note 1  
21.40<sup>+0.50</sup>  
17.6<sup>+0.2</sup>  
18.6<sup>+0.1</sup>  
19.8<sup>-0.1</sup>

0.50<sup>+0.10</sup> 45°  
2.00<sup>+0.05</sup> (24x)

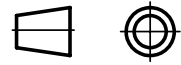
0.75<sup>0-0.5</sup>  
3.5<sup>+0.20</sup>

48.00  
50.0 MAX.

PART NUMBER	L1	L2	
HM2H88P1LF	3.0	13.45	AVAILABLE
HM2H88P109LF	3.9	14.35	AVAILABLE
HM2H88P111LF	4.1	14.55	AVAILABLE
HM2H88P115LF	4.5	14.95	AVAILABLE
HM2H88P117LF	4.7	15.15	AVAILABLE
HM2H88P119LF	4.9	15.35	AVAILABLE
HM2H88P122LF	5.2	15.65	AVAILABLE
HM2H88P130LF	6.0	16.45	AVAILABLE

1DEC ±0.2 2DEC ±0.1 ANGLES ±1°	<b>APPR.</b>	<b>DATE</b>	<b>SIGN.</b>	MPACS 8+2R SHROUD TYPE E
	DRAFT	1997-05-13	M.Fret	<b>CAT. No.</b> HM2H88P1--LF
	CHECKED			
WE RESERVE THE RIGHT TO CHANGE DIMENSIONS OR REQUIREMENTS WITHOUT PRIOR NOTICE.	PROD. MGR.			www.fciconnect.com
	PR. ENG. MGR.			
ALL DIMENSIONS IN MM	PR. MGT. MGR.			SCALE 3/1

REFERENCES



THIS IS OUR EXCLUSIVE PROPERTY. IT IS NOT TO BE COPIED, REPRINTED OR DISCLOSED TO A THIRD PARTY, NOR USED FOR MANUFACTURING WITHOUT OUR WRITTEN CONSENT, AND HAS TO BE RETURNED TO US IN CASE OF NO USAGE

DIT IS ONZE EIGENDOM EN MAG NIET NAGEMAAKT, HERDRIKT, OVERGEMAAKT AAN DEREN, NOCH VOOR FABRIKATIE GEBRUIKT WORDEN, ZONDER ONZE SCHRIFTELIJKE TOELATING. BIJ NIET GEBRUIK IS TERUGZENDING VERPLICHT.