



Chipsmall Limited consists of a professional team with an average of over 10 year of expertise in the distribution of electronic components. Based in Hongkong, we have already established firm and mutual-benefit business relationships with customers from,Europe,America and south Asia,supplying obsolete and hard-to-find components to meet their specific needs.

With the principle of “Quality Parts,Customers Priority,Honest Operation,and Considerate Service”,our business mainly focus on the distribution of electronic components. Line cards we deal with include Microchip,ALPS,ROHM,Xilinx,Pulse,ON,Everlight and Freescale. Main products comprise IC,Modules,Potentiometer,IC Socket,Relay,Connector.Our parts cover such applications as commercial,industrial, and automotives areas.

We are looking forward to setting up business relationship with you and hope to provide you with the best service and solution. Let us make a better world for our industry!



Contact us

Tel: +86-755-8981 8866 Fax: +86-755-8427 6832

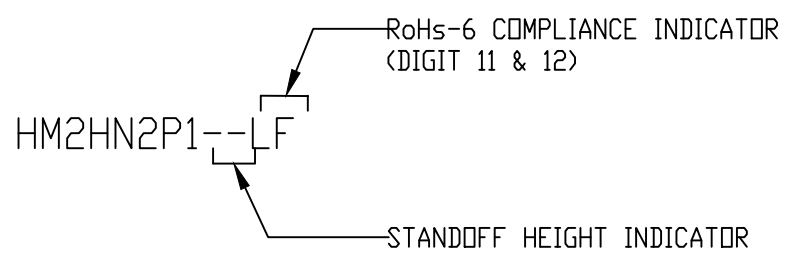
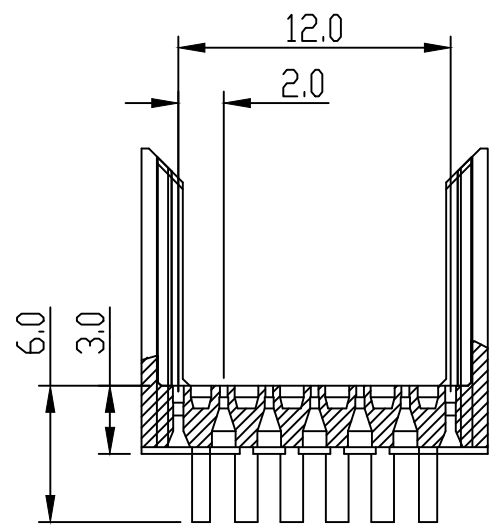
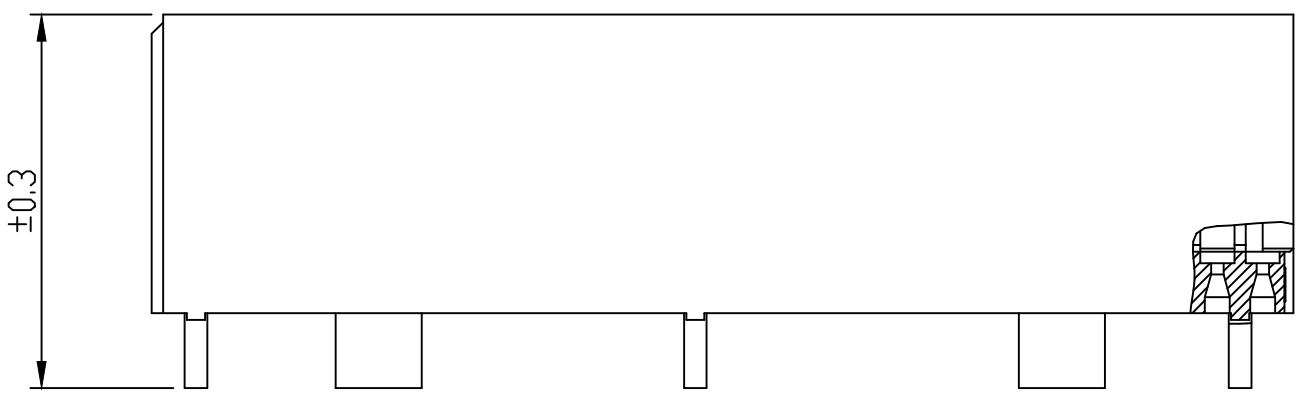
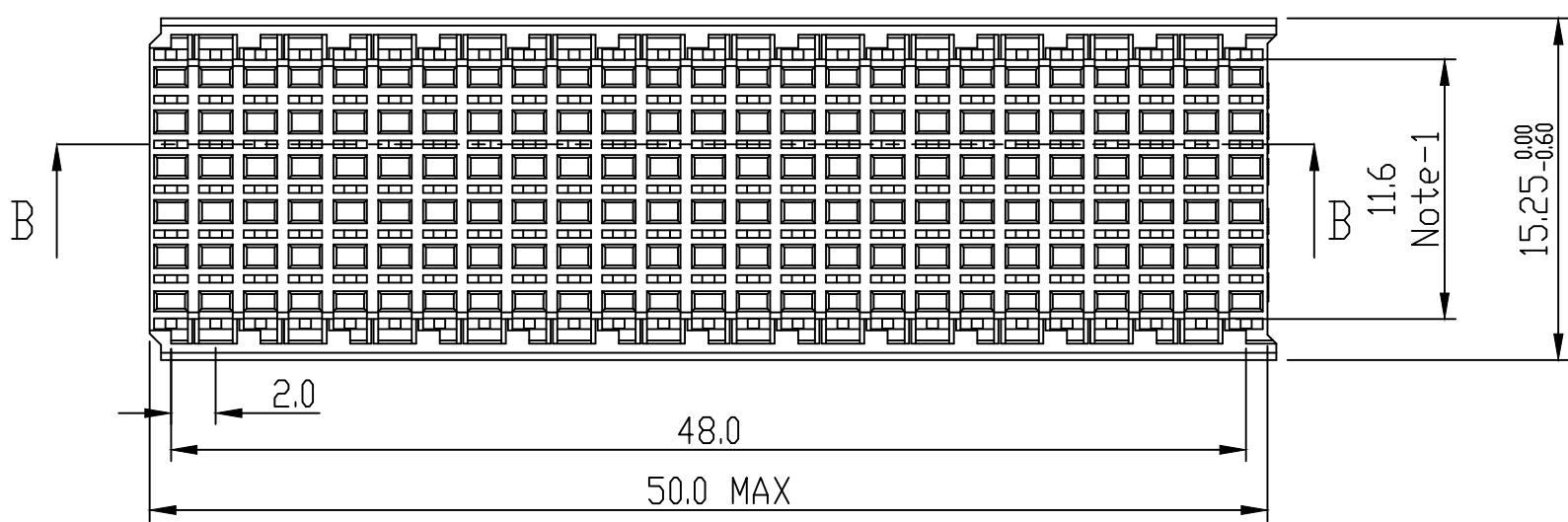
Email & Skype: info@chipsmall.com Web: www.chipsmall.com

Address: A1208, Overseas Decoration Building, #122 Zhenhua RD., Futian, Shenzhen, China

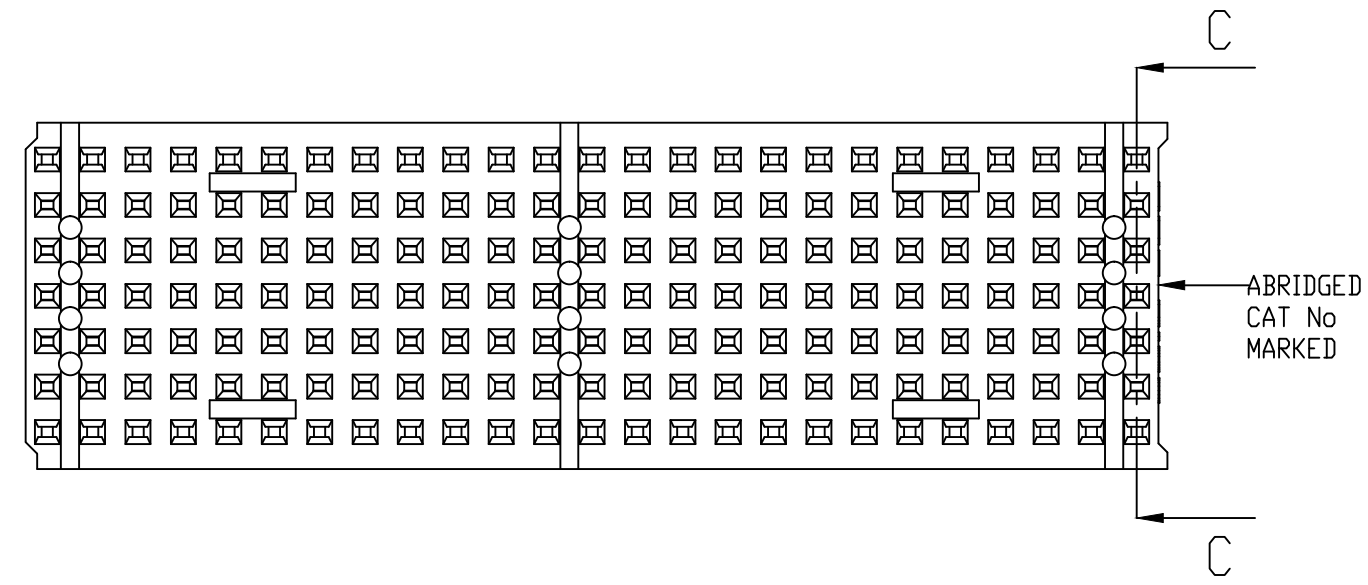


NOTES:

1. MEASURED AT THE BOTTOM
2. MATERIAL : GLASS REINFORCED POLYESTER UL94-V0
3. THIS PRODUCT MEETS EUROPEAN UNION DIRECTIVES AND OTHER COUNTRY REGULATIONS AS DESCRIBED IN GS-47-0004
4. PARTS WITH AND WITHOUT SUFFIX LF TO THE PRODUCT PART NUMBER ARE IDENTICAL IN FORM , FIT AND FUNCTION LF SUFFIX IS ADDED TO THE PART NUMBER OF THIS PRODUCT TO HAVE UNIFORM IDENTIFICATION OF ALL RoHS COMPATIBLE PRODUCTS



SECTION C-C



CAT. NO.	L1	L2	
HM2HN2P1LF	3.0	13.45	AVAILABLE
HM2HN2P109LF	3.9	14.35	AVAILABLE
HM2HN2P111LF	4.1	14.55	NOT YET AVAILABLE
HM2HN2P113LF	4.3	14.75	NOT YET AVAILABLE
HM2HN2P115LF	4.5	14.95	AVAILABLE
HM2HN2P117LF	4.7	15.15	AVAILABLE
HM2HN2P119LF	4.9	15.35	AVAILABLE
HM2HN2P122LF	5.2	15.65	AVAILABLE
HM2HN2P130LF	6.0	16.45	AVAILABLE

mat'l. code SEE NOTE 4		surface ISO 1302 ✓	tolerance ISO 406 ISO 1101	projection MM	product family MILLIPACS
ltr	ecn no	dr	date	tolerances unless otherwise specified	title MPACS 5+2 ROW SHROUD STR HDR (TYPE-B) (25 POS) (15.4 MAX)
A	105-0139	MINI	2005-08-10	angles	
B	106-0099	MINI	2006-07-07	linear	
C	107-0107	MINI	2007-08-31	0°±1°	
D	ELX-I-18259	AKA	2014-07-09	dr	scale -
				MINI K V	2005-03-08
				enr	ALEX BABU
				chr	ALEX BABU
				appd	BIJU K PAUL
sheet index	revision sheet	D	1		



dwg no sheet 1 of 1 size
BS, C ,203028, 233 A3
 type Product Customer Drawing