



Chipsmall Limited consists of a professional team with an average of over 10 year of expertise in the distribution of electronic components. Based in Hongkong, we have already established firm and mutual-benefit business relationships with customers from,Europe,America and south Asia,supplying obsolete and hard-to-find components to meet their specific needs.

With the principle of “Quality Parts,Customers Priority,Honest Operation,and Considerate Service”,our business mainly focus on the distribution of electronic components. Line cards we deal with include Microchip,ALPS,ROHM,Xilinx,Pulse,ON,Everlight and Freescale. Main products comprise IC,Modules,Potentiometer,IC Socket,Relay,Connector.Our parts cover such applications as commercial,industrial, and automotives areas.

We are looking forward to setting up business relationship with you and hope to provide you with the best service and solution. Let us make a better world for our industry!



## Contact us

Tel: +86-755-8981 8866 Fax: +86-755-8427 6832

Email & Skype: info@chipsmall.com Web: www.chipsmall.com

Address: A1208, Overseas Decoration Building, #122 Zhenhua RD., Futian, Shenzhen, China

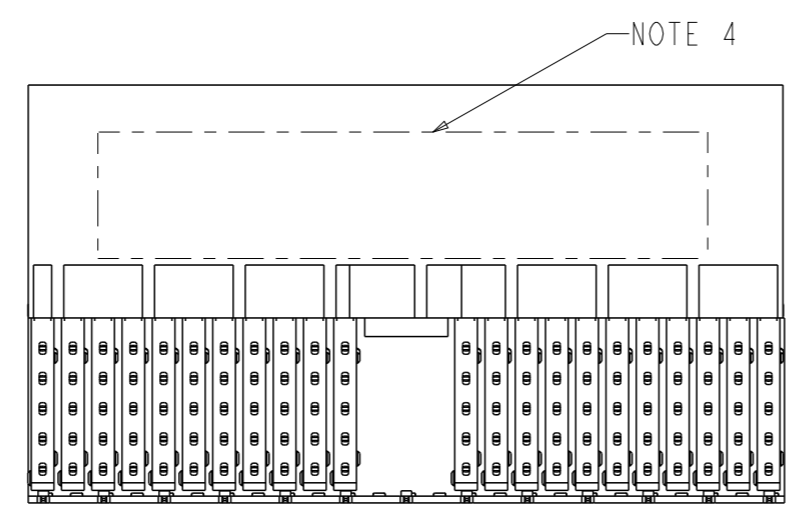
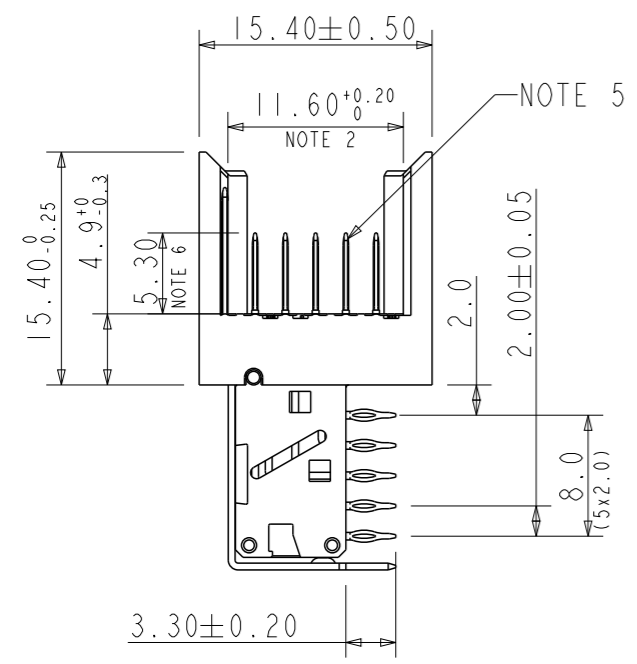
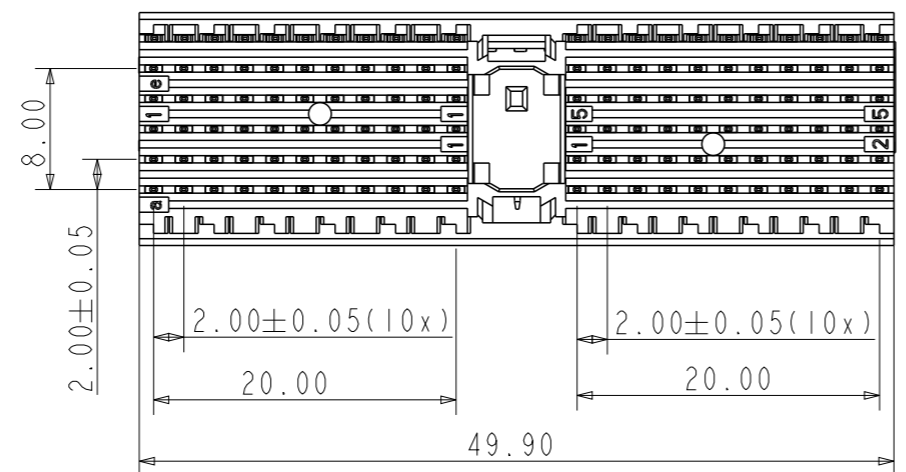


PERFORMANCE CHARACTERISTICS :

CURRENT RATING : 1.5A AT 20°C (FULLY LOADED)  
 1A AT 70°C (FULLY LOADED)  
 RATED VOLTAGE : 500V AC (CONT / CONT)  
 OPERATING TEMPERATURE : -55°C TO 125°C  
 CONTACT RESISTANCE : 25mΩ MAX.  
 INSERTION FORCE : 0.75 N MAX / CONT  
 EXTRACTION FORCE : 0.15 N MIN / CONT  
 INSULATION RESISTANCE : 10<sup>4</sup> MΩ MIN.

NOTES :

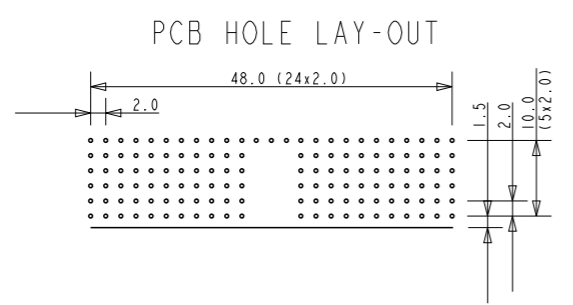
- UL APPROVED WITH USR AND CNR.
- MEASURED AT THE BOTTOM.
- MATERIAL CONTACT : PHOSPHORBRONZE.  
HOUSING : LCP 30% GLASS-FILLED
- CONNECTOR PRINTED WITH P/N AND DATE CODES.
- FOR ACTUAL CONTACT LOADINGS, SEE LOADING PATTERN MATING SIDE.)
- 4 = LEVEL 1 (5.30)  
5 = LEVEL 2 (6.80)  
6 = LEVEL 3 (8.30)
- 'HM2J07PEE128' LEAD FREE INDICATOR : LF = LEAD FREE  
PERFORMANCE LEVEL INDICATOR (Ref DWG No BS,C ,201844,003)
- FOR RECOMMENDED PTH DIMENSIONS REFER DRAWING : BS,A ,201572,001
- THIS PRODUCT (LF) MEETS EUROPEAN UNION DIRECTIVES AND OTHER COUNTRY REGULATIONS AS DESCRIBED IN GS-22-008



LOADING PATTERN : MATING SIDE

F	6	6	6	6	6	6	6	6	6	6	X	X	X	6	6	6	6	6	6	6	6	6	6	6	6
E	5	5	5	5	5	5	5	5	5	5	X	X	X	5	5	5	5	5	5	5	5	5	5	5	5
D	5	5	5	5	5	5	5	5	5	5	X	X	X	5	5	5	5	5	5	5	5	5	5	5	5
C	5	5	5	5	5	5	5	5	5	5	X	X	X	5	5	5	5	5	5	5	5	5	5	5	5
B	5	5	5	5	5	5	5	5	5	5	X	X	X	5	5	5	5	5	5	5	5	5	5	5	5
A	5	5	5	5	5	5	5	5	5	5	X	X	X	5	5	5	5	5	5	5	5	5	5	5	5
Z	0	0	0	0	0	0	0	0	0	0	X	X	X	0	0	0	0	0	0	0	0	0	0	0	0
	1	2	3	4	5	6	7	8	9	10	11	12	13	14	15	16	17	18	19	20	21	22	23	24	25

Copyright FCI.



rev	ecn no	dr	date
A	105-0105	AB	2005-06-20
B	105-0108	AB	2005-06-23
C	106-0107	AB	2006-07-15
D	108-0050	AB	2008-04-24
E	110-0098	GT	2010-04-19
F	111-0044	GT	2011-02-28
-	-	-	-

www.fciconnect.com		surface ISO 1302	tolerance std ISO 406 ISO 1101	projection	mm
		TOLERANCES UNLESS OTHERWISE SPECIFIED			
Dr	ALEX B	2005-06-20	ANGULAR	0.X ±0.2	size A3
Eng	ALEX B	2005-06-20	LINEAR	0.XX ±0.1	Scale 1/1
Chr	ALEX B	2006-04-24	0° ±1°	0.XXX ±0.05	ECN 111-0044
Appr	ALEX B	2006-04-24	Product family	MILLIPACS	Spec ref -
		MPACS RA HDR		dwg no BSC202767031	Rev. F
		type A, shielded, general		CUSTOMER COPY	sheet 1 of 1
catalog no		HM2J07PEE128----			