

Chipsmall Limited consists of a professional team with an average of over 10 year of expertise in the distribution of electronic components. Based in Hongkong, we have already established firm and mutual-benefit business relationships with customers from,Europe,America and south Asia,supplying obsolete and hard-to-find components to meet their specific needs.

With the principle of “Quality Parts,Customers Priority,Honest Operation,and Considerate Service”,our business mainly focus on the distribution of electronic components. Line cards we deal with include Microchip,ALPS,ROHM,Xilinx,Pulse,ON,Everlight and Freescale. Main products comprise IC,Modules,Potentiometer,IC Socket,Relay,Connector.Our parts cover such applications as commercial,industrial, and automotives areas.

We are looking forward to setting up business relationship with you and hope to provide you with the best service and solution. Let us make a better world for our industry!



## Contact us

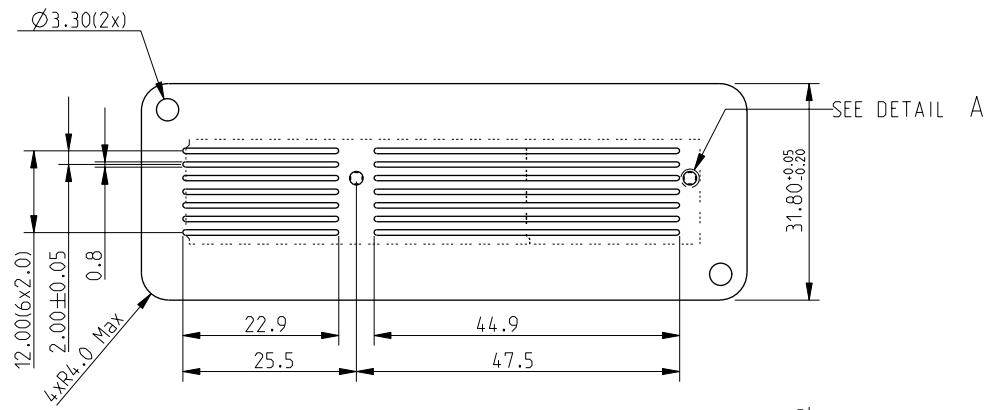
Tel: +86-755-8981 8866 Fax: +86-755-8427 6832

Email & Skype: [info@chipsmall.com](mailto:info@chipsmall.com) Web: [www.chipsmall.com](http://www.chipsmall.com)

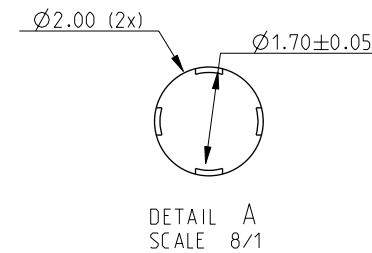
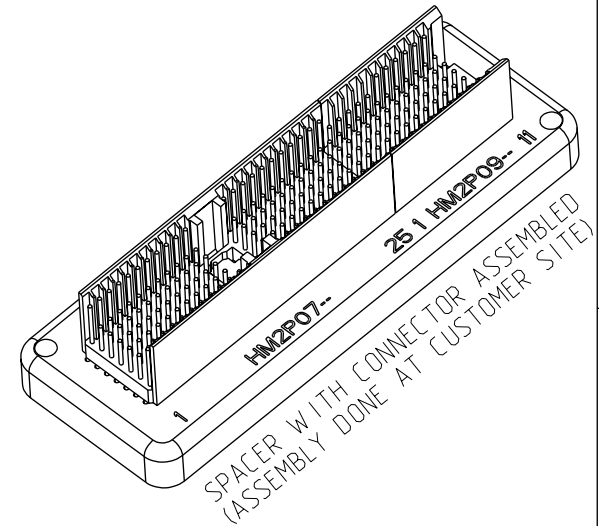
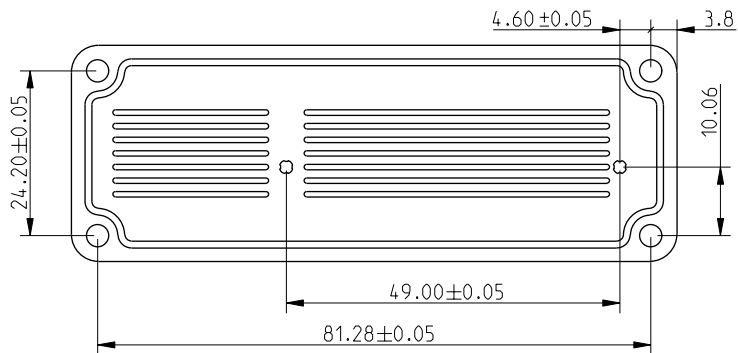
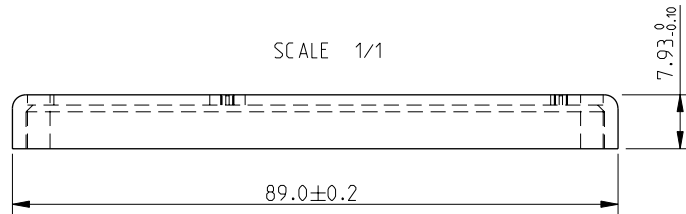
Address: A1208, Overseas Decoration Building, #122 Zhenhua RD., Futian, Shenzhen, China



Copyright FCJ.



SCALE 1/1



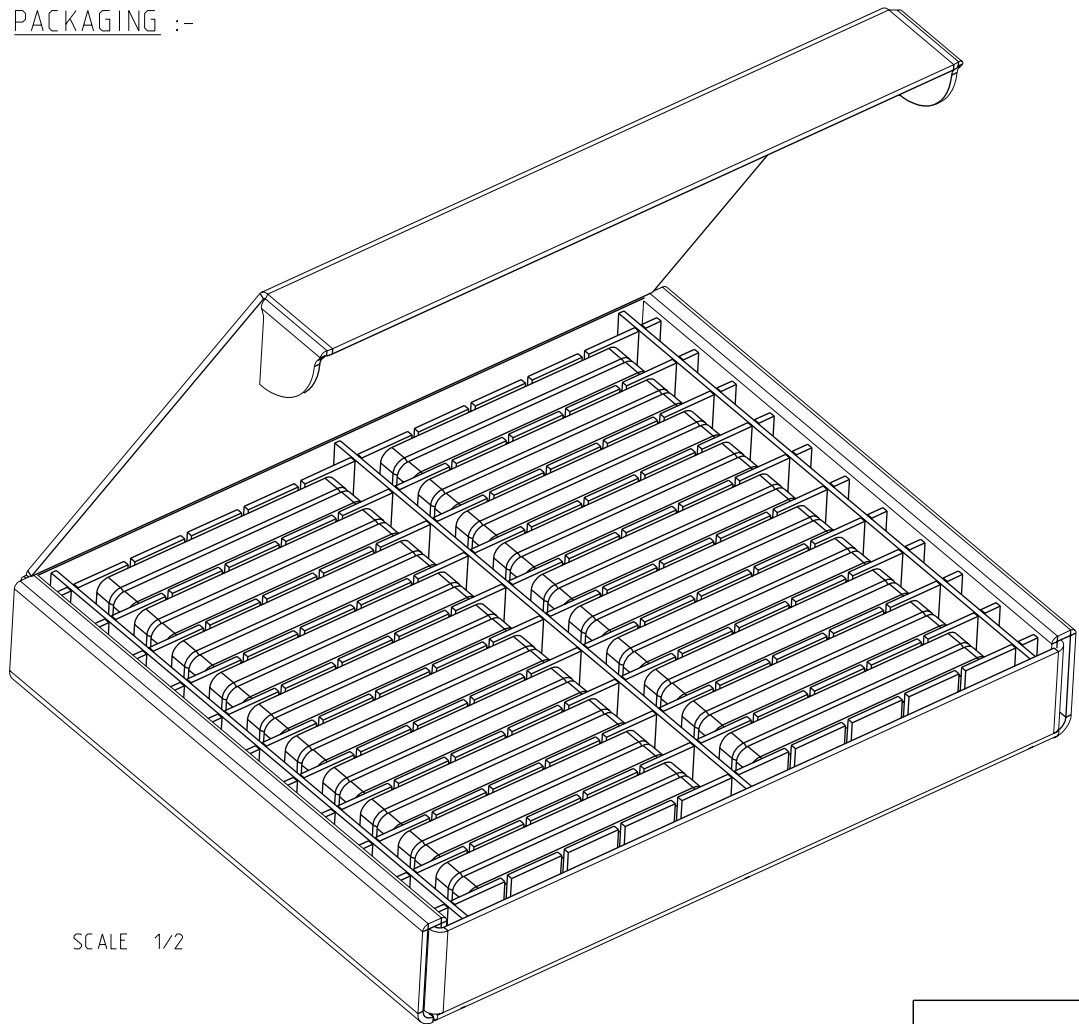
- NOTE:
1. PACK THE SPACERS IN HONEYCOMB BOX (PBHC-011) AS SHOWN
  2. PACKING QUANTITY = 40 PCS PER HONEYCOMB BOX  
14 HONEYCOMB BOX PER MASTER CARTON (PBMC 015/8)  
4 MASTER CARTON PER SUPER MASTER CARTON (PBSM 009)
  3. THE PRODUCT (LF) MEETS EUROPEAN UNION DIRECTIVES AND OTHER COUNTRY REGULATIONS AS DESCRIBED IN GS-22-008.

rev	ecn no	dr	date
A	105-0131	AB	2006-05-16
B	106-0058	AB	2006-05-30
C	106-0071	AB	2006-06-20
-	-	-	-
-	-	-	-
-	-	-	-

www.fciconnect.com		surface ISO 1302	tolerance std ISO 406 ISO 1101	projection mm	mm
		TOLERANCES UNLESS OTHERWISE SPECIFIED		size A4	Scale 1/6
Dr	Alex Babu	2005-07-29	ANGULAR	0.x ±0.2	ECN 105-0131
Eng	Alex Babu	2005-07-29	LINEAR	0.xx ±0.1	
Chr	Biju K Paul	2006-06-20	0° ±1°	0.xxx ±0.05	
Appr	Biju K Paul	2006-06-20	Product family		Spec ref
FCJ		title SPACER FOR MPACS 5R STR HDR SPACER (TYPE-A + TYPE-C)		diag no BSA203204001	Rev. C
		catalog no HM2P01P2LF	CUSTOMER	sheet 1 of 2	

REV F - 2006-04-17

PACKAGING :-



SCALE 1/2



Copyright FCJ.

www.fciconnect.com			surface ISO 1302	✓	tolerance std ISO 406 ISO 1101	projection ⊕	mm ↔
			TOLERANCES UNLESS OTHERWISE SPECIFIED				
Dr	Alex Babu	2005-07-29	ANGULAR	LINEAR	0.x ±0.2	size A4	Scale 1/6
Eng	Alex Babu	2005-07-29			0.xx ±0.1	ECN 105-0131	
Chr	Biju K Paul	2006-06-20	0° ±1°		0.xxx ±0.05	Spec ref	
Appr	Biju K Paul	2006-06-20	Product family MILLIPACS				
FCJ			title SPACER FOR MPACS 5R STR HDR		diag no BSA203204001	Rev. C	
			SPACER (TYPE-A + TYPE-C)				
			catalog no HM2P01P2LF		CUSTOMER	sheet 2 of 2	

REV F - 2006-04-17