



Chipsmall Limited consists of a professional team with an average of over 10 year of expertise in the distribution of electronic components. Based in Hongkong, we have already established firm and mutual-benefit business relationships with customers from,Europe,America and south Asia,supplying obsolete and hard-to-find components to meet their specific needs.

With the principle of “Quality Parts,Customers Priority,Honest Operation,and Considerate Service”,our business mainly focus on the distribution of electronic components. Line cards we deal with include Microchip,ALPS,ROHM,Xilinx,Pulse,ON,Everlight and Freescale. Main products comprise IC,Modules,Potentiometer,IC Socket,Relay,Connector.Our parts cover such applications as commercial,industrial, and automotives areas.

We are looking forward to setting up business relationship with you and hope to provide you with the best service and solution. Let us make a better world for our industry!



Contact us

Tel: +86-755-8981 8866 Fax: +86-755-8427 6832

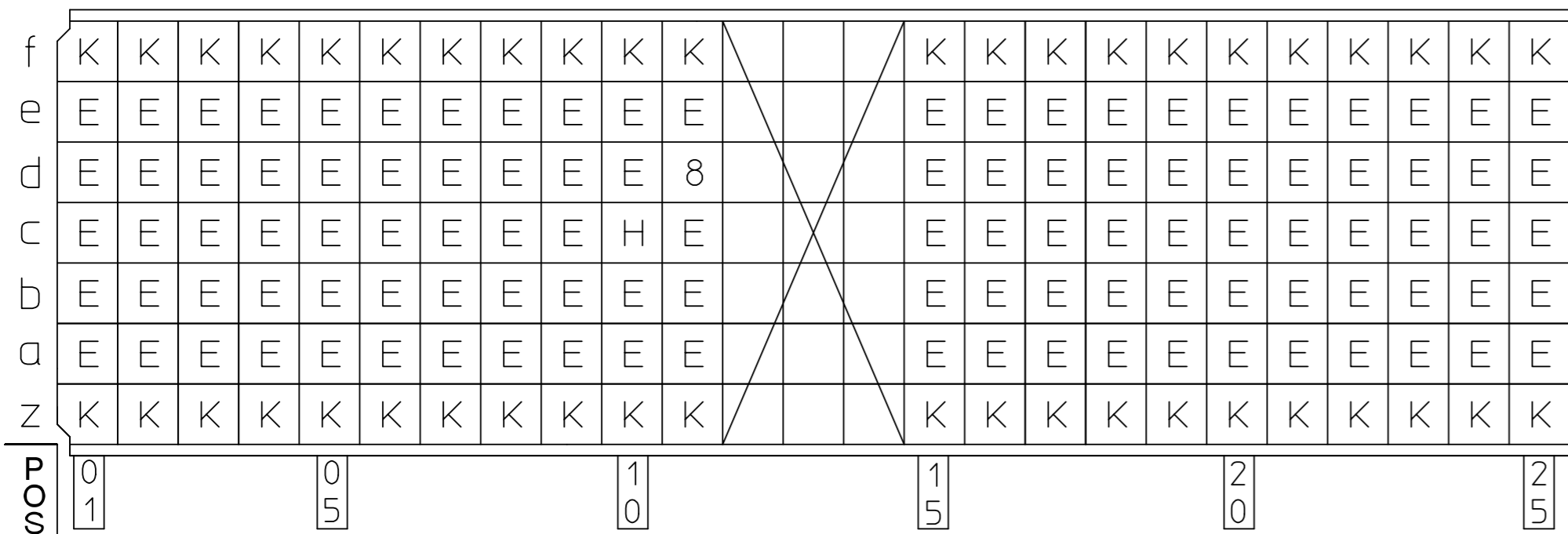
Email & Skype: info@chipsmall.com Web: www.chipsmall.com

Address: A1208, Overseas Decoration Building, #122 Zhenhua RD., Futian, Shenzhen, China

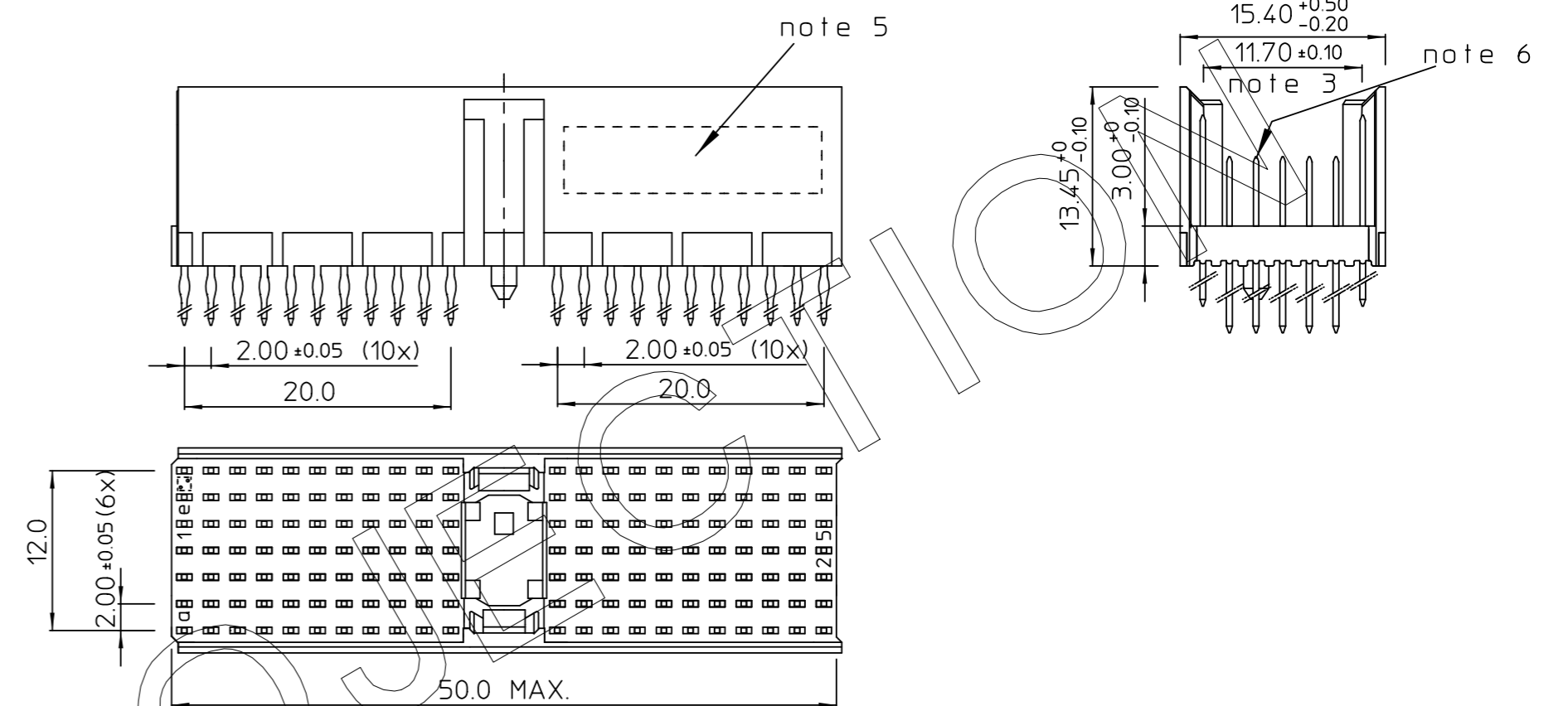


REV.	DATE	DESCRIPTION	BY	C'K'D'
A	14-09-01	CONVERSION REVISION 02	KN	

LOADING PATTERN MATING SIDE

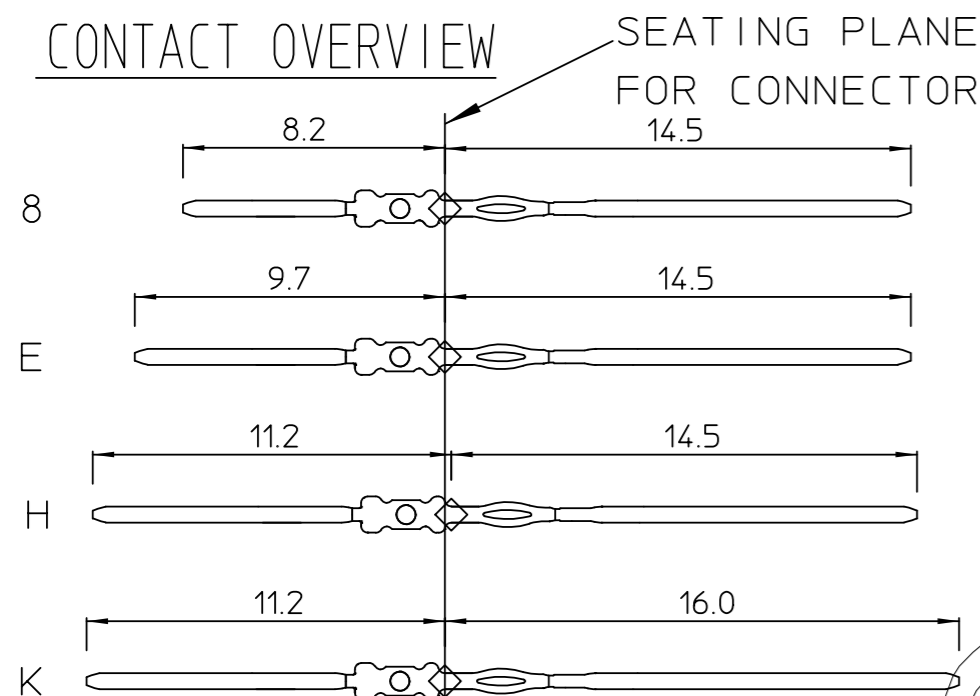


LOADED CONNECTOR ASSEMBLY (FOR EXAMPLE)



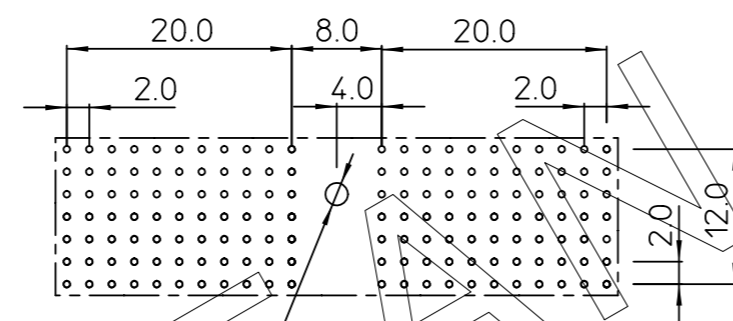
SHEET NR. :

CONTACT OVERVIEW



SEATING PLANE FOR CONNECTOR

LAY-OUT P.C.B.-HOLE



PLATING TABLE

HM2P--P----- PLATING CODE (DIGIT 13 AND 14)

CODE	CONTACT AREA		
E9	1.00 μ Au min over 1.3 μ Ni min.	SHORT / WIRE WRAP CONTACTS	PERFORMANCE LEVEL 1 (500 mating cycles)
N9	0.80 μ Au min over 1.3 μ Ni min.	SHORT / WIRE WRAP CONTACTS	PERFORMANCE LEVEL 2 (250 mating cycles)
Z1	0.40 μ Au min over 1.3 μ Ni min.	SHORT / WIRE WRAP CONTACTS	PERFORMANCE LEVEL 3 (50 mating cycles)
GL	1.00 μ Au min over 1.3 μ Ni min.	REAR PLUG-UP CONTACTS	PERFORMANCE LEVEL 1 (500 mating cycles)
GF	0.80 μ Au min over 1.3 μ Ni min.	REAR PLUG-UP CONTACTS	PERFORMANCE LEVEL 2 (250 mating cycles)
GC	0.40 μ Au min over 1.3 μ Ni min.	REAR PLUG-UP CONTACTS	PERFORMANCE LEVEL 3 (50 mating cycles)

RECOMMENDED PLATED THROUGH HOLE DIMENSIONS

- * DIAM.DRILLED HOLE : 0.675/0.725
- * DIAM.FINISHED HOLE : 0.55/0.65
- * Cu THICKNESS : 25/50μm.
- * SnPb THICKNESS : 4/10μm.

NOTES

1. THIS PRODUCT IS CSA APPROVED.
2. THIS PRODUCT IS UL RECOGNIZED.
3. MEASURED AT THE BOTTOM.
4. MATERIAL CONTACT: PHOSPHORBRONZE
HOUSING: CREAM WHITE GLASFILLED POLYESTER UL-94V0
5. CONNECTOR PRINTED WITH P/N AND DATE CODE.
6. FOR ACTUAL CONTACT LOADINGS, SEE LOADING PATTERN MATING SIDE.

THIS IS OUR EXCLUSIVE PROPERTY. IT IS NOT TO BE COPIED, REPRINTED OR DISCLOSED TO A THIRD PARTY. NOR USED FOR MANUFACTURING WITHOUT OUR WRITTEN CONSENT. AND HAS TO BE RETURNED TO US IN CASE OF NO USAGE

DIT IS ONZE EIGENDOM EN MAG NOCH NAGEMAAKT. HERDRUKT. OVERGEMAAKT AAN DERDEN. NOCH VOOR FABRIKATIE GEBRUIKT WORDEN. ZONDER ONZE SCHRIFTELIJKE TOELATING. BIJ NIET GEBRUIK IS TERUGZENDING VERPLICHT.

1DEC ±0,2 1DEC 2DEC ±0,1 2DEC ANGLES ±1° HOEKEN	APPR.	DATE	SIGN.	LOADING PATTERN OVERVIEW
	DRAFT	14-09-98	M.Frel	CAT. No. HM2P07PMG1A4--
	CHECKED			SCALE
WE RESERVE THE RIGHT TO CHANGE DIMENSIONS OR REQUIREMENTS WITHOUT PRIOR NOTICE.	PROD. MGR.			FCI MECHELEN N.V. A. SPINOYSTRAAT 8, 2800 MECHELEN
	PR. ENG. MGR.			
	PR. MGT. MGR.			
ALL DIMENSIONS IN MM	REFERENCES / REFERENTIES			BS, C , 201843, 645
ALLE AFMETINGEN IN MM				A

DRAWING No. CUSTOMER DRAWING REVISION