



Chipsmall Limited consists of a professional team with an average of over 10 year of expertise in the distribution of electronic components. Based in Hongkong, we have already established firm and mutual-benefit business relationships with customers from,Europe,America and south Asia,supplying obsolete and hard-to-find components to meet their specific needs.

With the principle of “Quality Parts,Customers Priority,Honest Operation,and Considerate Service”,our business mainly focus on the distribution of electronic components. Line cards we deal with include Microchip,ALPS,ROHM,Xilinx,Pulse,ON,Everlight and Freescale. Main products comprise IC,Modules,Potentiometer,IC Socket,Relay,Connector.Our parts cover such applications as commercial,industrial, and automotives areas.

We are looking forward to setting up business relationship with you and hope to provide you with the best service and solution. Let us make a better world for our industry!



## Contact us

Tel: +86-755-8981 8866 Fax: +86-755-8427 6832

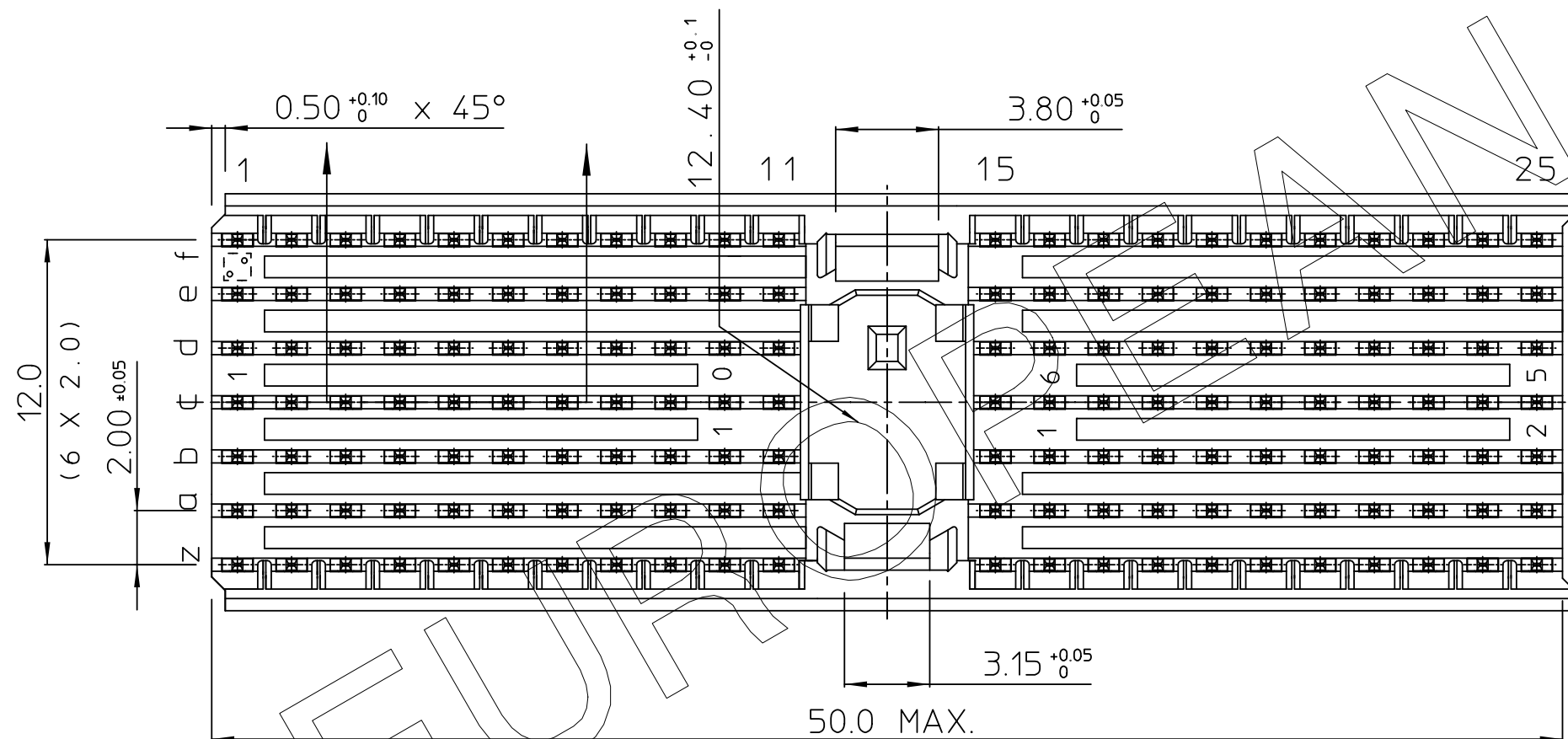
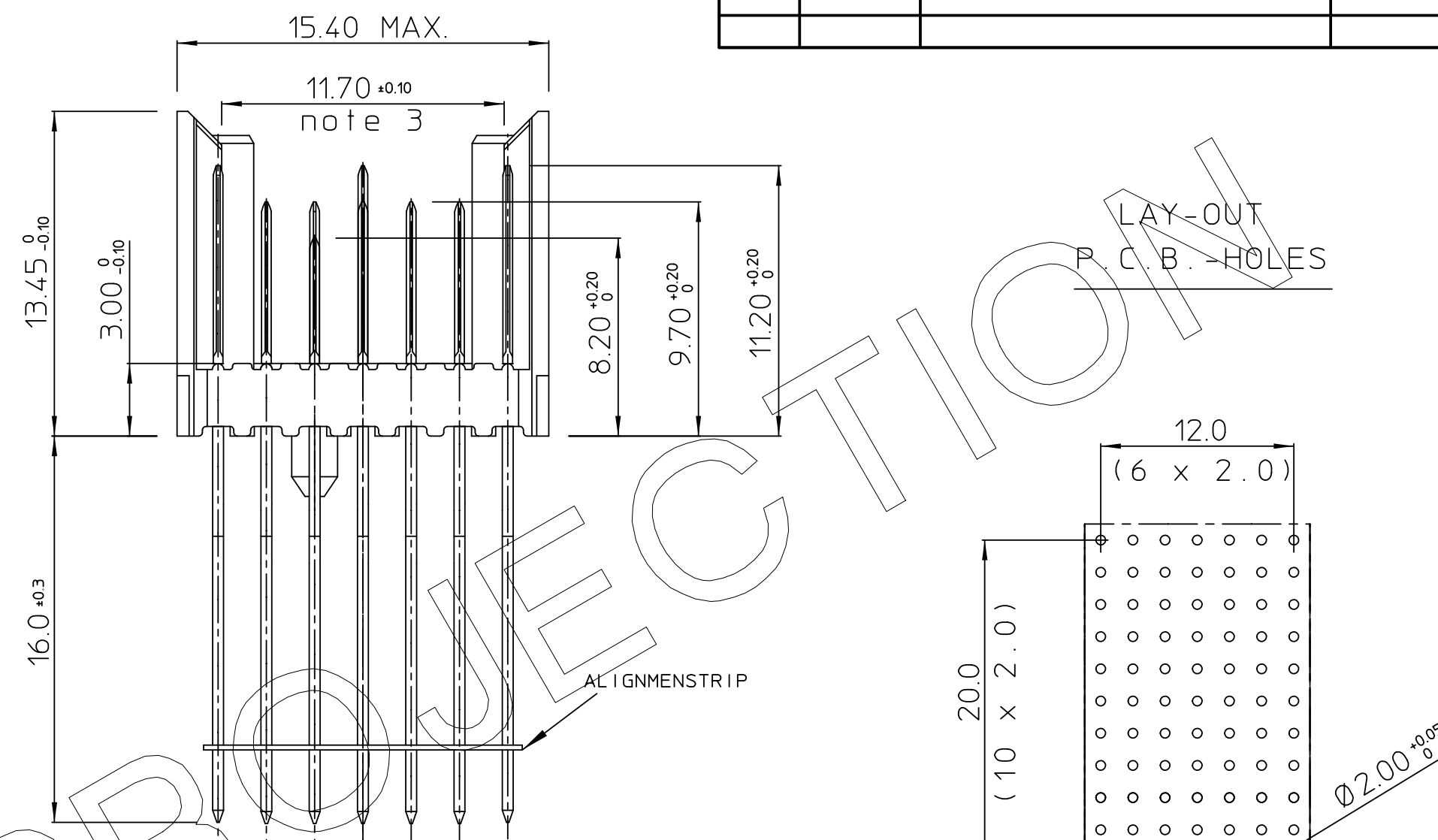
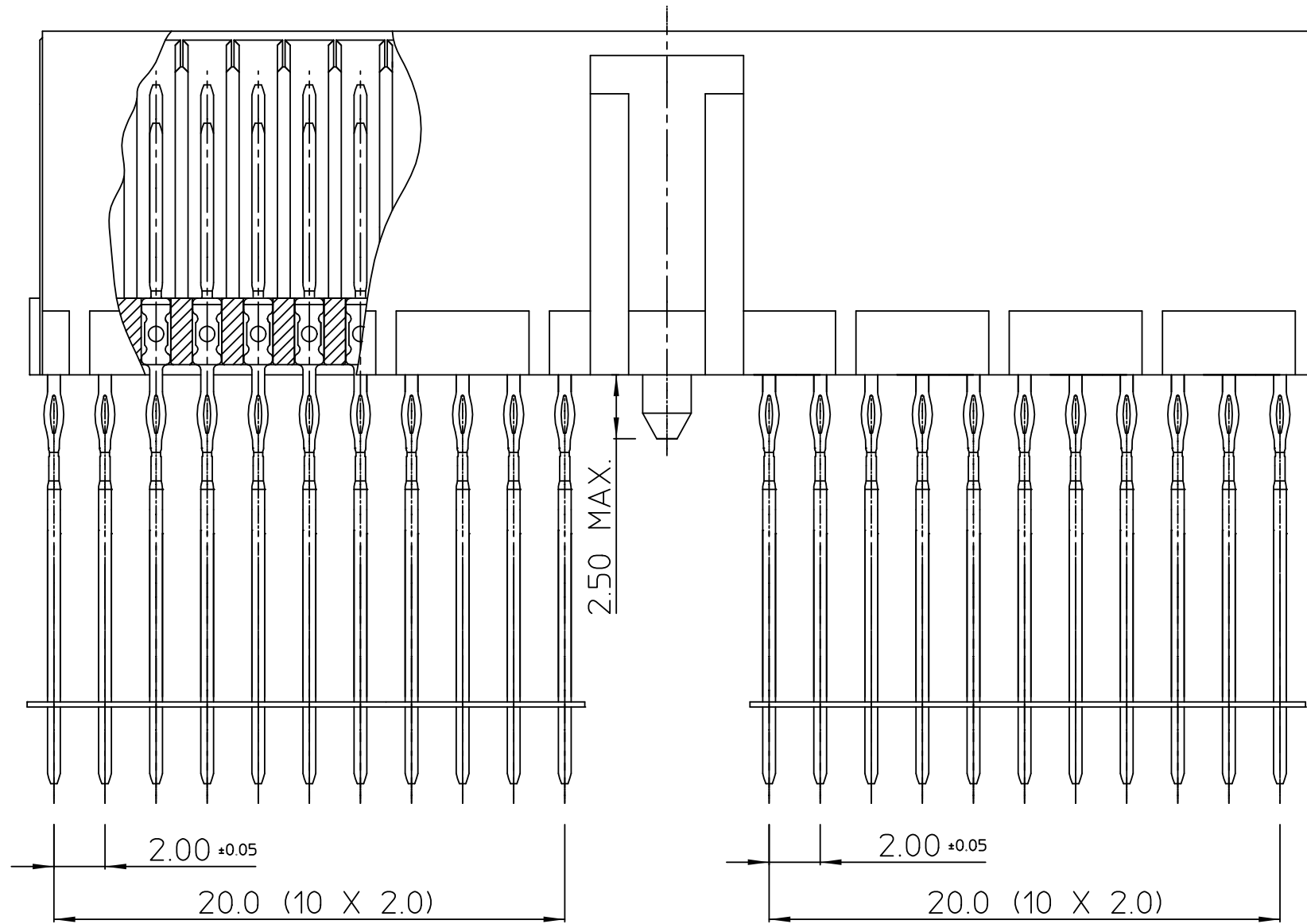
Email & Skype: info@chipsmall.com Web: www.chipsmall.com

Address: A1208, Overseas Decoration Building, #122 Zhenhua RD., Futian, Shenzhen, China





REV.	DATE	DESCRIPTION	BY	C'K'D'
A	14-09-01	CONVERSION REVISION 04	KN	



CONTACT LAY-OUT

- ROW Z, F : MATING LEVEL 3 / REAR MATING LEVEL 3  
ALL POS
- ROW A, B, E : MATING LEVEL 2 / REAR MATING LEVEL 3  
ALL POS
- ROW C : MATING LEVEL 2 / REAR MATING LEVEL 3  
ALL POS EXCEPT POS 10: MATING LEVEL 3
- ROW D : MATING LEVEL 2 / REAR MATING LEVEL 3  
ALL POS EXCEPT POS 11: MATING LEVEL 1

THIS IS OUR EXCLUSIVE PROPERTY. IT IS NOT TO BE COPIED, REPRINTED OR DISCLOSED TO A THIRD PARTY, NOR USED FOR MANUFACTURING WITHOUT OUR WRITTEN CONSENT, AND HAS TO BE RETURNED TO US IN CASE OF NO USAGE

DIT IS ONZE EIGENDOM EN MAG NOCH NAGEMAAKT, HERDRUKT, OVERGEMAAKT AAN DERDEN, NOCH VOOR FABRIKATIE GEBRUIKT WORDEN, ZONDER ONZE SCHRIFTELIJKE TOELATING. BIJ NIET GEBRUIK IS TERUGZENDING VERPLICHT.

PERFORMANCE CHARACTERISTICS

- CURRENT RATING : 1,5 A AT 20°C ( FULLY LOADED )
- CURRENT RATING : 1 A AT 70°C ( FULLY LOADED )
- RATED VOLTAGE : 500 V AC (CONT / CONT )
- OPERATING TEMPERATURE : -55°C TO 125°C
- CONTACT RESISTANCE : 20 mΩ MAX
- INSERTION FORCE : 0.75 N MAX / CONT
- EXTRACTION FORCE : 0.15 N MIN / CONT
- INSULATION RESISTANCE : 10<sup>4</sup> MΩ MIN

NOTES

- "--" PERFORMANCE LEVEL INDICATION: Z1= PL3 (SHORT) GC= PL3 (REAR PLUG-UP) (SEE CAT.NR.) N9= PL2 GF= PL2 E9= PL1 GL= PL1
- THIS PRODUCT IS CSA APPROVED.  
THIS PRODUCT IS UL RECOGNIZED.
- MEASURED AT THE BOTTOM.

MALE SIGNAL STRAIGHT PRESS-FIT-TO-BOARD CONNECTOR  
WITHOUT SERVICECENTER

1DEC ±0,2 1DEC 2DEC ±0,1 2DEC ANGLES ±1° HOEKEN	<b>APPR.</b>	<b>DATE</b>	<b>SIGN.</b>	MILLIPACS 2 / TYPE A / SHIELDED
	DRAFT	17-11-95	W.Panis	<b>CAT. No.</b> HM2P07PNG1A4--
WE RESERVE THE RIGHT TO CHANGE DIMENSIONS OR REQUIREMENTS WITHOUT PRIOR NOTICE.	PROD. MGR.			<b>FCI</b> FCI MECHELEN N.V. A. SPINOYSTRAAAT 8, 2800 MECHELEN
ALL DIMENSIONS IN MM	PR. ENG. MGR.			
	PR. MGT. MGR.			SCALE 3 / 1
<b>REFERENCES / REFERENTIES</b>				BS,C , 201632, 019
ALLE AFMETINGEN IN MM				DRAWING No. CUSTOMER DRAWING
				REVISION A