



Chipsmall Limited consists of a professional team with an average of over 10 year of expertise in the distribution of electronic components. Based in Hongkong, we have already established firm and mutual-benefit business relationships with customers from,Europe,America and south Asia,supplying obsolete and hard-to-find components to meet their specific needs.

With the principle of “Quality Parts,Customers Priority,Honest Operation,and Considerate Service”,our business mainly focus on the distribution of electronic components. Line cards we deal with include Microchip,ALPS,ROHM,Xilinx,Pulse,ON,Everlight and Freescale. Main products comprise IC,Modules,Potentiometer,IC Socket,Relay,Connector.Our parts cover such applications as commercial,industrial, and automotives areas.

We are looking forward to setting up business relationship with you and hope to provide you with the best service and solution. Let us make a better world for our industry!



## Contact us

Tel: +86-755-8981 8866 Fax: +86-755-8427 6832

Email & Skype: info@chipsmall.com Web: www.chipsmall.com

Address: A1208, Overseas Decoration Building, #122 Zhenhua RD., Futian, Shenzhen, China



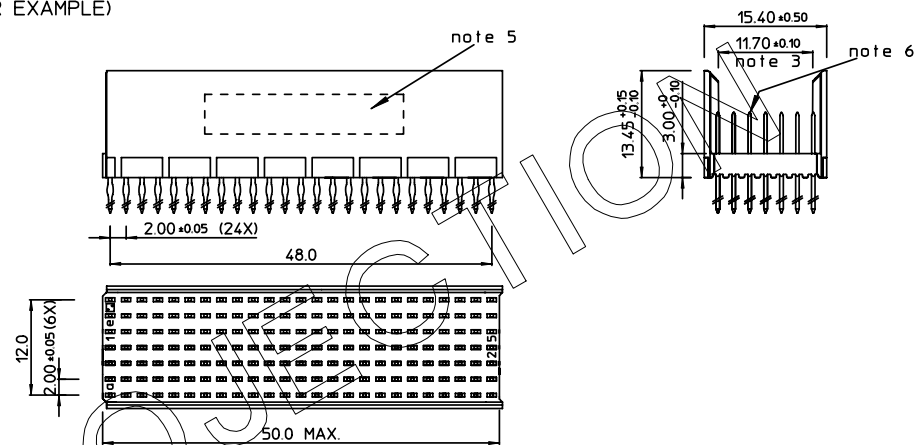
GEN. ST.	01	02	03	04	05	06	07	08	0D	50	60	70	80	90																	
INT. ST.	10	11	12	13	14	18	20	31	32	33	34	38	39	40	42	43	44	45	46	48	56	70	72	73	75	76	81	82	83	84	88

REV.	DATE	DESCRIPTION	BY	C'K'D'
A	2001-09-14	CONVERSION REVISION 02	KN	
B	2002-05-28	EC B20086	MF	
C	2005-11-07	105-0218	VIVEK	BKP
D	2006-08-02	105-0118	VIVEK	BKP

### LOADING PATTERN MATING SIDE

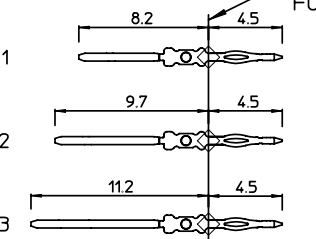
f	3	3	3	3	3	0	3	3	0	3	3	0	3	3	0	3	3	3	3	3	0	3	3	0
e	1	1	1	1	1	2	1	1	2	1	1	2	1	1	2	1	1	2	1	1	2	1	1	2
d	1	1	1	1	1	2	1	1	2	1	1	2	1	1	2	1	1	2	1	1	2	1	1	2
c	1	1	1	1	1	2	1	1	2	1	1	2	1	1	2	1	1	2	1	1	2	1	1	2
b	1	1	1	1	1	2	1	1	2	1	1	2	1	1	2	1	1	2	1	1	2	1	1	2
a	1	1	1	1	1	2	1	1	2	1	1	2	1	1	2	1	1	2	1	1	2	1	1	2
z	3	3	3	3	3	0	3	3	0	3	3	0	3	3	0	3	3	3	3	3	0	3	3	0
POS	0	1	0	5	0	1	0	5	0	1	0	5	0	1	0	5	0	1	0	5	0	1	0	5

### LOADED CONNECTOR ASSEMBLY (FOR EXAMPLE)



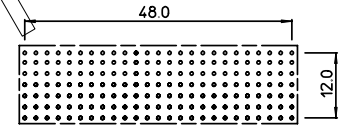
SHEET NR. : 997

### CONTACT OVERVIEW



SEATING PLANE FOR CONNECTOR

### LAY-OUT P.C.B.-HOLE



LEAD FREE INDICATOR : LF = LEAD FREE (DIGIT 15 & 16)

HM2P08PCH1A5

PLATING CODE (DIGIT 13 AND 14) (REF DWG No. BS,C ,201844,003)

### NOTES:

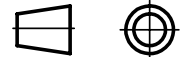
- THIS PRODUCT IS CSA APPROVED.
- THIS PRODUCT IS UL RECOGNIZED.
- MEASURED AT THE BOTTOM.
- MATERIAL CONTACT: PHOSPHORBRONZE  
HOUSING: CREAM WHITE GLASSFILLED POLYESTER UL-94V0
- CONNECTOR PRINTED WITH P/N AND DATE CODE.
- FOR ACTUAL CONTACT LOADINGS, SEE LOADING PATTERN MATING SIDE.
- SHAPE OF CONNECTOR HOUSING CAN ALTER DEPENDING ON PRODUCTION LOCATION.
- THE PRODUCT (LF) MEETS EUROPEAN UNION DIRECTIVES AND OTHER COUNTRY REGULATIONS AS DESCRIBED IN GS-22-008
- FOR RECOMMENDED PTH DIMENSIONS REFER DRAWING : BS.A ,201572,001

EUROPEAN PRO

THIS IS OUR EXCLUSIVE PROPERTY. IT IS NOT TO BE COPIED, REPRINTED OR DISCLOSED TO A THIRD PARTY, NOR USED FOR MANUFACTURING WITHOUT OUR WRITTEN CONSENT, AND HAS TO BE RETURNED TO US IN CASE OF NO USAGE

DIT IS ONZE EIGENDOM EN MAG NOCH NAGEHAAKT, HERDRUKT, OVERGEMAAKT AAN DERDEN, NOCH VOOR FABRIKATIE GEBRUIKT WORDEN, ZONDER ONZE SCHRIFTELIJKE TOELATING. DIT NIET GEBRUIK IS TERUGZENDEND VERPLICHT.

1DEC ±0,2 2DEC ±0,1 ANGLES ±1°	APPR. DRAFT CHECKED	DATE 2000-01-31	SIGN. G. Nys	LOADING PATTERN OVERVIEW
WE RESERVE THE RIGHT TO CHANGE DIMENSIONS OR REQUIREMENTS WITHOUT PRIOR NOTICE.	PROD. MGR. PR. ENG. MGR. PR. MGT. MGR.			CAT. No. HM2P08PCH1A5----
ALL DIMENSIONS IN MM				SCALE



### REFERENCES

BS,C ,201843,914 D

DRAWING No. CUSTOMER DRAWING REVISION  
STATUS: Released Printed: Dec 02, 2007