



Chipsmall Limited consists of a professional team with an average of over 10 year of expertise in the distribution of electronic components. Based in Hongkong, we have already established firm and mutual-benefit business relationships with customers from,Europe,America and south Asia,supplying obsolete and hard-to-find components to meet their specific needs.

With the principle of “Quality Parts,Customers Priority,Honest Operation,and Considerate Service”,our business mainly focus on the distribution of electronic components. Line cards we deal with include Microchip,ALPS,ROHM,Xilinx,Pulse,ON,Everlight and Freescale. Main products comprise IC,Modules,Potentiometer,IC Socket,Relay,Connector.Our parts cover such applications as commercial,industrial, and automotives areas.

We are looking forward to setting up business relationship with you and hope to provide you with the best service and solution. Let us make a better world for our industry!



Contact us

Tel: +86-755-8981 8866 Fax: +86-755-8427 6832

Email & Skype: info@chipsmall.com Web: www.chipsmall.com

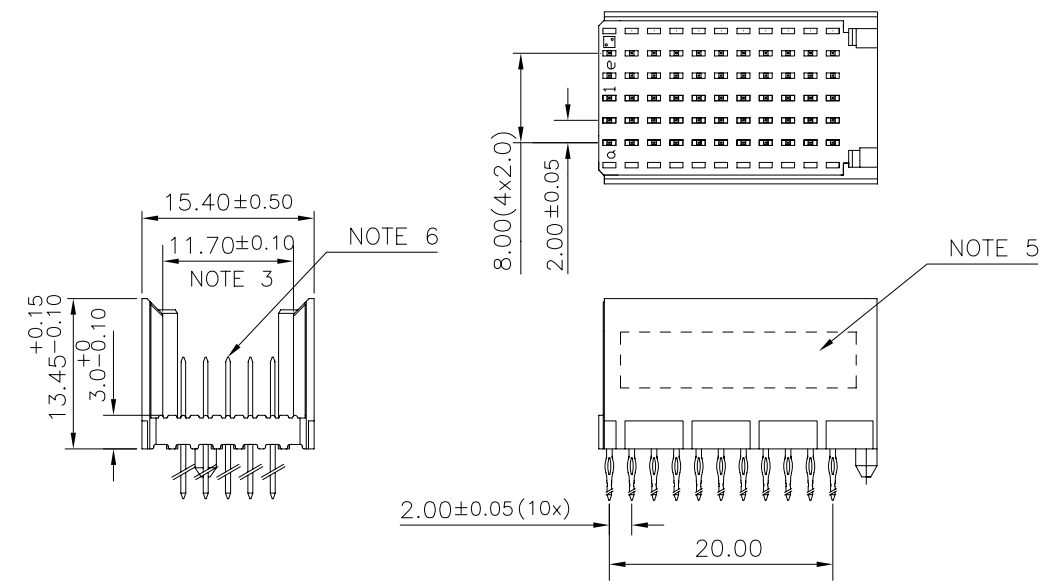
Address: A1208, Overseas Decoration Building, #122 Zhenhua RD., Futian, Shenzhen, China



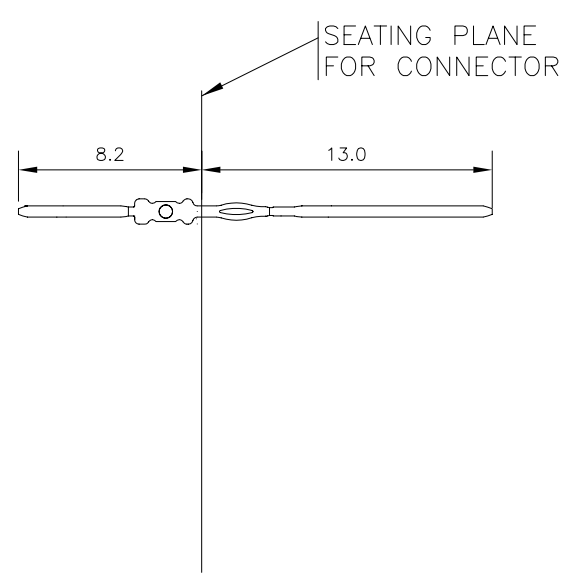
LOADING PATTERN MATING SIDE

f	0	0	0	0	0	0	0	0	0	0			
e	7	7	7	7	7	7	7	7	7	7			
d	7	7	7	7	7	7	7	7	7	7			
c	7	7	7	7	7	7	7	7	7	7			
b	7	7	7	7	7	7	7	7	7	7			
a	7	7	7	7	7	7	7	7	7	7			
z	0	0	0	0	0	0	0	0	0	0			
POS	01	05	10										

LOADED CONNECTOR ASSEMBLY (FOR EXAMPLE)



CONTACT OVERVIEW

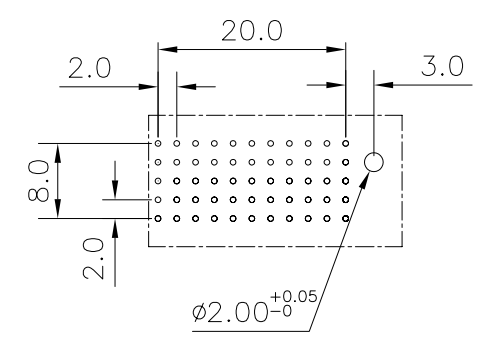


HM2P09PK5110-
LEAD FREE INDICATOR : LF = LEAD FREE (DIGIT 15 & 16)
PLATING CODE (DIGIT 13 AND 14)

PLATING TABLE

CODE	PLATING	CONTACT AREA	TYPE OF TERMINAL	PERFORMANCE LEVEL
BA	0.75µ Au	GOLD OVER NICKEL PLATING.	REAR PLUG-UP EON PRESSFIT CONTACTS	IEC PERFORMANCE LEVEL 2 (250 mating cycles) or TELCORDIA CO
BB	1.25µ Au	GOLD OVER NICKEL PLATING.	REAR PLUG-UP EON PRESSFIT CONTACTS	TELCORDIA UE

LAY-OUT P.C.B.-HOLE



NOTES

- THIS PRODUCT IS CSA APPROVED.
 - THIS PRODUCT IS UL RECOGNIZED.
 - MEASURED AT THE BOTTOM.
 - MATERIAL CONTACT: PHOSPHOR BRONZE
HOUSING : CREAM WHITE GLASS FILLED POLYESTER UL-94V0
 - CONNECTOR PRINTED WITH P/N AND DATE CODE.
 - FOR ACTUAL CONTACT LOADINGS, SEE LOADING PATTERN MATING SIDE.
 - SHAPE OF CONNECTOR HOUSING CAN ALTER DEPENDING ON PRODUCTION LOCATION
 - THE PRODUCT (LF) MEETS EUROPEAN UNION DIRECTIVES AND OTHER COUNTRY REGULATIONS AS DESCRIBED IN GS-22-008
 - FOR RECOMMENDED PTH DIMENSIONS REFER DRAWING : BS, A , 201572 , 001
- CATALOG NO: HM2P09PK5110-
 mat'l. code SEE NOTE 4

mat'l. code	SEE NOTE 4	surface	ISO 1302 ✓	tolerance	ISO 406 ISO 1101	projection	MM	product family	MILLIPACS			
ltr	ecn no	dr	date	tolerances unless otherwise specified		MM	scale -	title				
A	108-0097	MINI	2008-09-10	angles	.0±0.2			MILLIPACS 5+2R STR HDR PF CONN TYPE C				
B	109-0210	MINI	2009-10-06	linear	.00±0.1							
C	109-0290	AB	2009-12-29	0°±1°								
D	110-0018	MINI	2010-01-13	dr	MINI K VANDANATH	2008-09-10	engr	ALEX BABU	2008-09-10			
				chr	ALEX BABU	2008-09-10	appd	ALEX BABU	2008-09-10			
sheet index		revision sheet	D 1	FCI						dwg no	sheet 1 of 1	size
										BS, C , 203032, 006	A3	
										type	Product Customer	Drawing

FCIconnect.com
 Copyright FCI