



Chipsmall Limited consists of a professional team with an average of over 10 year of expertise in the distribution of electronic components. Based in Hongkong, we have already established firm and mutual-benefit business relationships with customers from,Europe,America and south Asia,supplying obsolete and hard-to-find components to meet their specific needs.

With the principle of “Quality Parts,Customers Priority,Honest Operation,and Considerate Service”,our business mainly focus on the distribution of electronic components. Line cards we deal with include Microchip,ALPS,ROHM,Xilinx,Pulse,ON,Everlight and Freescale. Main products comprise IC,Modules,Potentiometer,IC Socket,Relay,Connector.Our parts cover such applications as commercial,industrial, and automotives areas.

We are looking forward to setting up business relationship with you and hope to provide you with the best service and solution. Let us make a better world for our industry!



Contact us

Tel: +86-755-8981 8866 Fax: +86-755-8427 6832

Email & Skype: info@chipsmall.com Web: www.chipsmall.com

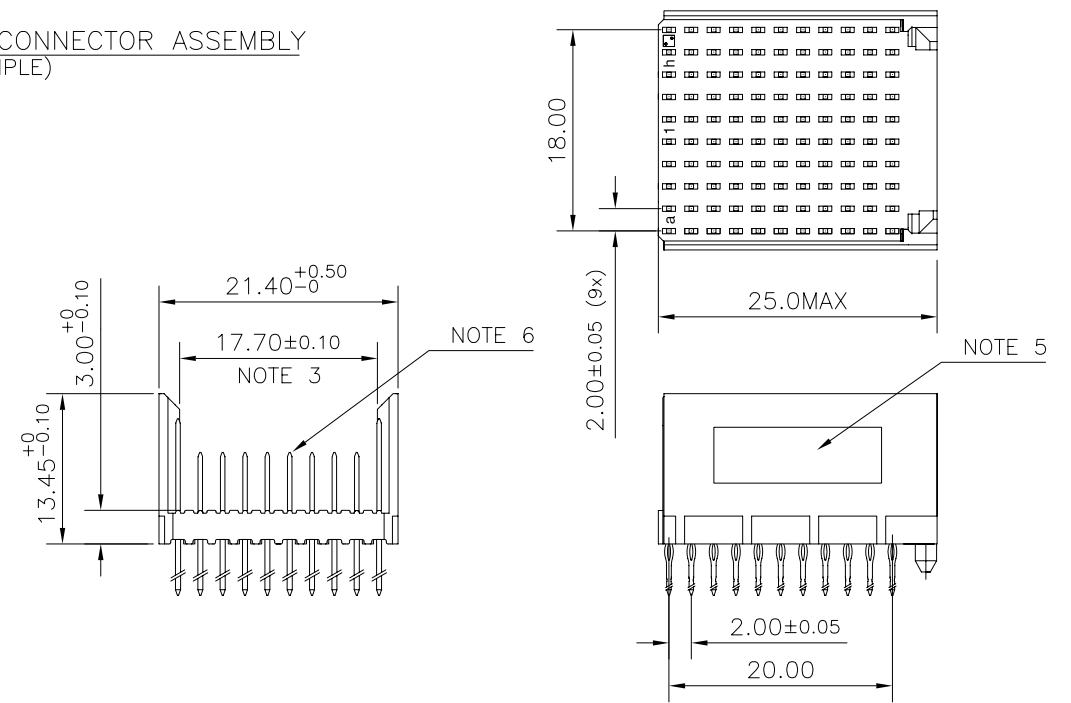
Address: A1208, Overseas Decoration Building, #122 Zhenhua RD., Futian, Shenzhen, China



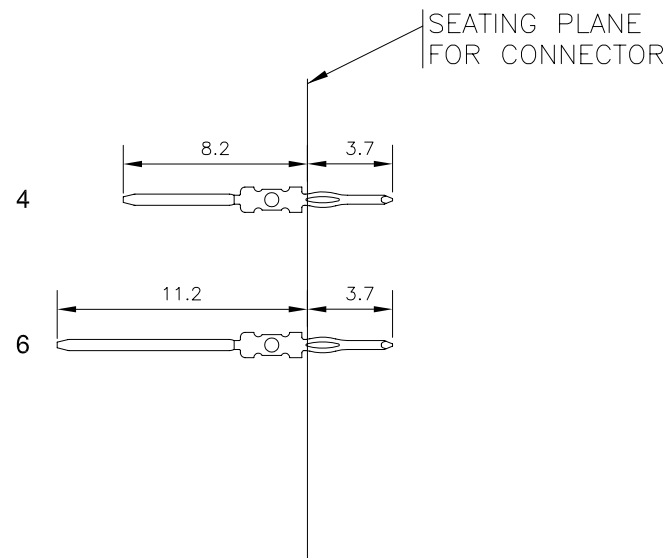
LOADING PATTERN MATING SIDE

| | | | | | | | | | | |
|-----|----|----|----|---|---|---|---|---|---|---|
| y | 6 | 6 | 6 | 6 | 6 | 6 | 6 | 6 | 6 | 6 |
| h | 4 | 4 | 4 | 4 | 4 | 4 | 4 | 4 | 4 | 4 |
| g | 4 | 4 | 4 | 4 | 4 | 4 | 4 | 4 | 4 | 4 |
| f | 4 | 4 | 4 | 4 | 4 | 4 | 4 | 4 | 4 | 4 |
| e | 4 | 4 | 4 | 4 | 4 | 4 | 4 | 4 | 4 | 4 |
| d | 4 | 4 | 4 | 4 | 4 | 4 | 4 | 4 | 4 | 4 |
| c | 4 | 4 | 4 | 4 | 4 | 4 | 4 | 4 | 4 | 4 |
| b | 4 | 4 | 4 | 4 | 4 | 4 | 4 | 4 | 4 | 4 |
| a | 4 | 4 | 4 | 4 | 4 | 4 | 4 | 4 | 4 | 4 |
| z | 6 | 6 | 6 | 6 | 6 | 6 | 6 | 6 | 6 | 6 |
| POS | 01 | 05 | 10 | | | | | | | |

LOADED CONNECTOR ASSEMBLY (FOR EXAMPLE)



CONTACT OVERVIEW



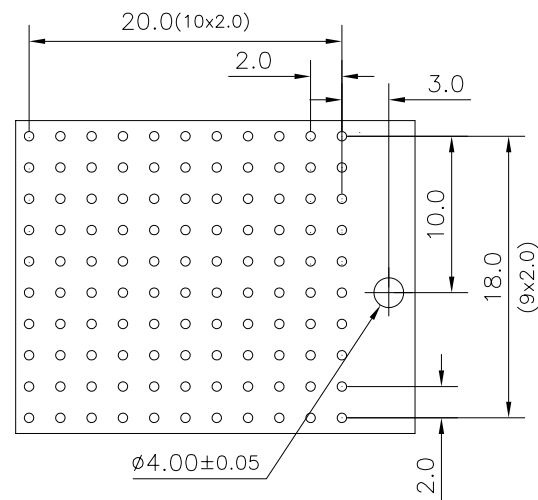
LEAD FREE INDICATOR : LF = LEAD FREE (DIGIT 15 & 16)
 PLATING CODE (DIGIT 13 AND 14)

HM2P89PA8111----

PLATING TABLE

| CODE | PLATING | CONTACT AREA | TYPE OF TERMINAL | PERFORMANCE LEVEL |
|------|----------|---------------------------|--------------------------------------|---|
| AA | 0.75μ Au | GOLD OVER NICKEL PLATING. | SHORT TERMINAL EON PRESSFIT CONTACTS | IEC PERFORMANCE LEVEL 2 (250 mating cycles) or TELCORDIA CO |
| AB | 1.25μ Au | GOLD OVER NICKEL PLATING. | SHORT TERMINAL EON PRESSFIT CONTACTS | TELCORDIA UE |

LAY-OUT P.C.B.-HOLE



NOTES

- THIS PRODUCT IS CSA APPROVED.
- THIS PRODUCT IS UL RECOGNIZED.
- MEASURED AT THE BOTTOM.
- MATERIAL CONTACT: PHOSPHOR BRONZE
HOUSING : CREAM WHITE GLASS FILLED POLYESTER UL-94V0
- CONNECTOR PRINTED WITH P/N AND DATE CODE.
- FOR ACTUAL CONTACT LOADINGS, SEE LOADING PATTERN MATING SIDE.
- SHAPE OF CONNECTOR HOUSING CAN ALTER DEPENDING ON PRODUCTION LOCATION
- THE PRODUCT (LF) MEETS EUROPEAN UNION DIRECTIVES AND OTHER COUNTRY REGULATIONS AS DESCRIBED IN GS-22-008
- FOR RECOMMENDED PTH DIMENSIONS REFER DRAWING : BS, A , 201572 , 001

CATALOG NO: HM2P89PA8111----

| | | | | | | | | | |
|-------------|--|----------------|--|------------------|--|------------|--|-----------------------------------|--|
| mat'l. code | | surface | | tolerance | | projection | | product family | |
| SEE NOTE 4 | | ISO 1302 ✓ | | ISO 406 ISO 1101 | | | | MILLIPACS | |
| ltr | | ecn no | | dr | | date | | title | |
| A | | 109-0210 | | MINI | | 2009-10-06 | | MPACS 8+2R STR HDR PF CONN TYPE F | |
| B | | 109-0290 | | AB | | 2009-12-29 | | | |
| C | | 110-0018 | | MINI | | 2010-01-13 | | | |
| | | dr | | MINI K VANDANATH | | 2009-10-06 | | dwg no | |
| | | enr | | ALEX BABU | | 2009-10-06 | | sheet 1 of 1 | |
| | | chr | | ALEX BABU | | 2009-10-06 | | size | |
| | | appd | | ALEX BABU | | 2009-10-06 | | A3 | |
| sheet index | | revision sheet | | c | | | | type Product Customer Drawing | |
| | | 1 | | | | | | | |