



Chipsmall Limited consists of a professional team with an average of over 10 year of expertise in the distribution of electronic components. Based in Hongkong, we have already established firm and mutual-benefit business relationships with customers from,Europe,America and south Asia,supplying obsolete and hard-to-find components to meet their specific needs.

With the principle of “Quality Parts,Customers Priority,Honest Operation,and Considerate Service”,our business mainly focus on the distribution of electronic components. Line cards we deal with include Microchip,ALPS,ROHM,Xilinx,Pulse,ON,Everlight and Freescale. Main products comprise IC,Modules,Potentiometer,IC Socket,Relay,Connector.Our parts cover such applications as commercial,industrial, and automotives areas.

We are looking forward to setting up business relationship with you and hope to provide you with the best service and solution. Let us make a better world for our industry!



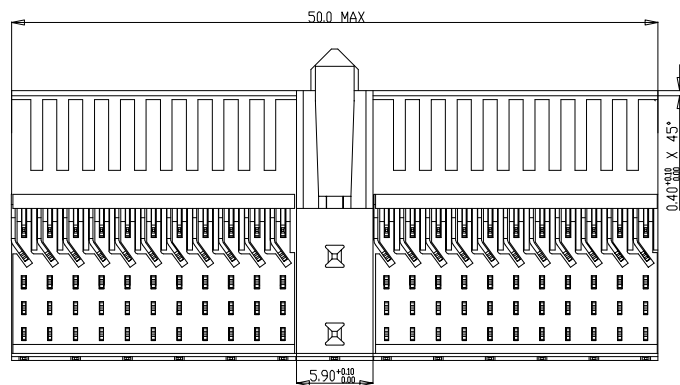
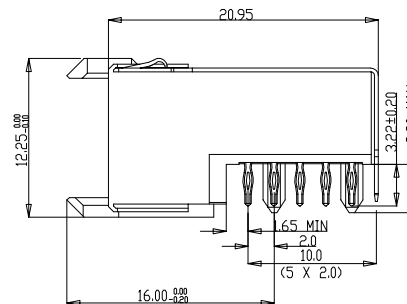
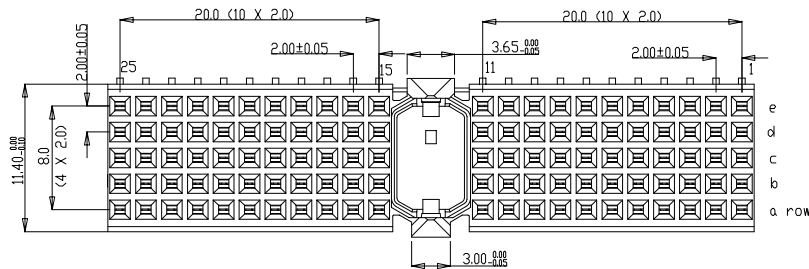
Contact us

Tel: +86-755-8981 8866 Fax: +86-755-8427 6832

Email & Skype: info@chipsmall.com Web: www.chipsmall.com

Address: A1208, Overseas Decoration Building, #122 Zhenhua RD., Futian, Shenzhen, China





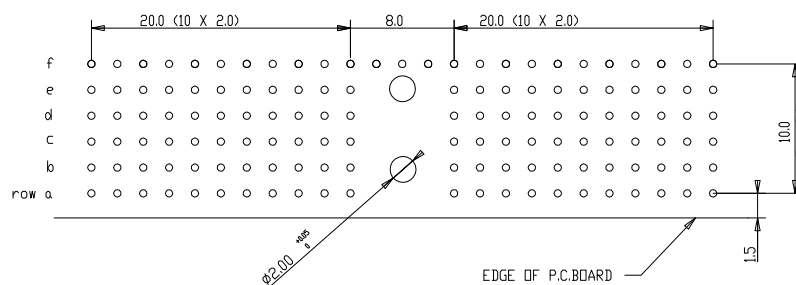
PERFORMANCE CHARACTERISTICS

CURRENT RATING 1.5 A AT 20°C (FULLY LOADED)
1 A AT 70°C (FULLY LOADED)

RATED VOLTAGE 500V AC (CONT / CONT)
OPERATING TEMPERATURE -55°C TO 125°C
CONTACT RESISTANCE 20 MΩ MAX
INSERTION FORCE :0.75 N MAX /CONT
EXTRACTION FORCE: 0.15 N MIN /CONT
INSULATION RESISTANCE :10⁴ MΩ MIN

NOTES

- LEAD FREE INDICATOR : LF- LEAD FREE
- PERFORMANCE LEVEL INDICATOR (REF DWG No. BS,C,201844,003)
THIS PRODUCT IS CSA APPROVED
THIS PRODUCT IS UL RECOGNISED
- FOR RECOMMENDED PTH DIMENSIONS REFER DRAWING: BSA,201,572001
- THIS PRODUCT (LF) MEETS EUROPEAN UNION DIRECTIVE AND OTHER COUNTRY REGULATIONS AS DESCRIBED IN GS-22-008.



Material		Spec ref		tolerance	projection	MM
Mat code				±0.10	±0.10	
Heat treat				±0.10	±0.10	
Plating/Finish						
rev	ecn no	dr	date	Dr	30 03 99	W.Paris
A	000000	KN	14-9-01	Eng		
B	0005-0256	Guo JM	03/08/05	Chr		
C	0007-0362	Kason	05/09/07	Appr		
D	0010-0110	NZ	10/13/10			
-	-	-	-			
-	-	-	-			
07	000000	RN	09/08/01	Prv/E File	catalog no	

Product family	Model Name	Model Revision	REL Level	Scale	Rev.
MILLIPACS	HM2R01PA5108----			A1	5.000
CONN TYPE A					
BS,C,201444,035					
CUSTOMER DRAWING					sheet 1 of 1

This drawing is the property of FCI. It is to be used for the design and manufacture of the product only. It is not to be used for any other purpose. It is not to be reproduced, stored in a retrieval system, or transmitted in any form or by any means, electronic, mechanical, photocopying, recording, or by any information storage and retrieval system, without the prior written permission of FCI.

This drawing is the property of FCI. It is to be used for the design and manufacture of the product only. It is not to be used for any other purpose. It is not to be reproduced, stored in a retrieval system, or transmitted in any form or by any means, electronic, mechanical, photocopying, recording, or by any information storage and retrieval system, without the prior written permission of FCI.