



Chipsmall Limited consists of a professional team with an average of over 10 year of expertise in the distribution of electronic components. Based in Hongkong, we have already established firm and mutual-benefit business relationships with customers from,Europe,America and south Asia,supplying obsolete and hard-to-find components to meet their specific needs.

With the principle of “Quality Parts,Customers Priority,Honest Operation,and Considerate Service”,our business mainly focus on the distribution of electronic components. Line cards we deal with include Microchip,ALPS,ROHM,Xilinx,Pulse,ON,Everlight and Freescale. Main products comprise IC,Modules,Potentiometer,IC Socket,Relay,Connector.Our parts cover such applications as commercial,industrial, and automotives areas.

We are looking forward to setting up business relationship with you and hope to provide you with the best service and solution. Let us make a better world for our industry!



## Contact us

Tel: +86-755-8981 8866 Fax: +86-755-8427 6832

Email & Skype: info@chipsmall.com Web: www.chipsmall.com

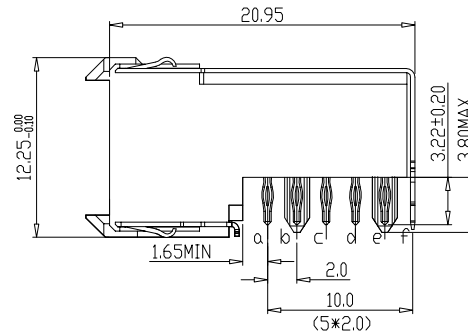
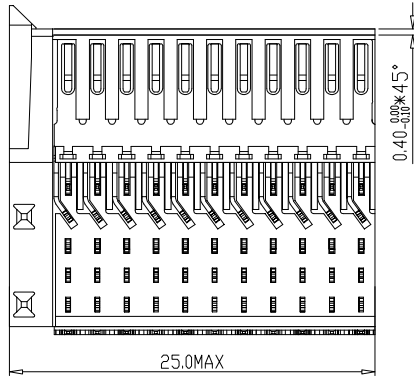
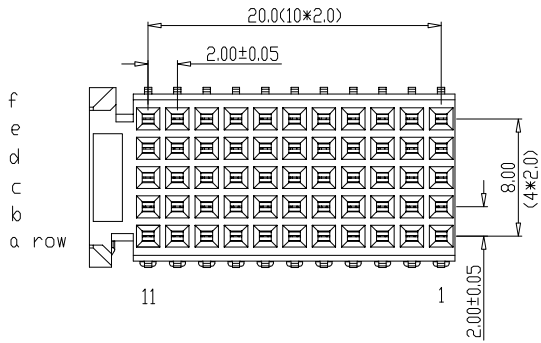
Address: A1208, Overseas Decoration Building, #122 Zhenhua RD., Futian, Shenzhen, China





Tous droits strictement reserves. Reproduction ou communication a des tiers interdite sous quelque forme que ce soit sans autorisation écrite du propriétaire. Propriete de c FCI. Droits de reproduction FCI.

All rights strictly reserved. Reproduction or issue to third parties in any form whatever is not permitted without written authority from the proprietor. Property of FCI. Copyright FCI.



PERFORMANCE CHARACTERISTICS

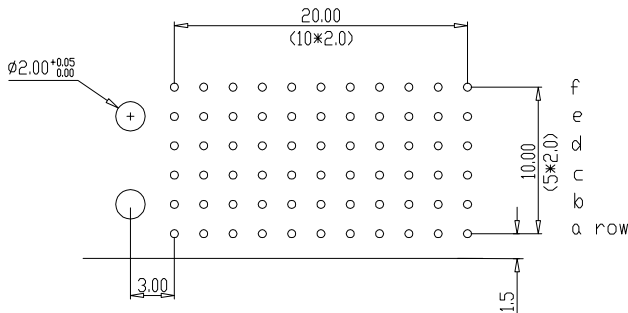
- CURRENT RATING 1.5A AT 20°C (FULLY LOADED)
- 1 A AT 70°C (FULLY LOADED)
- RATED VOLTAGE : 500 V AC (CONT /CONT)
- OPERATING TEMPERATURE : -55°C TO 125°C
- CONTACT RESISTANCE 20 M Ω MAX
- INSERTION FORCE : 0.75N MAX/CONT
- EXTRACTION FORCE : 0.15N MIN/CONT
- INSULATION RESISTANCE : 10<sup>4</sup> MΩ MIN

NOTES 1. HM2R03PA5101 LEAD FREE INDICATOR : LF=LEAD FREE(DIGIT 13&16)  
PLATING CODE(DIGIT 13&14)

Plating code	Plating	Performance Level
AA	0.75µm Au	IEC performance level 2(250mating cycles)orTELCORDIA CO
AB	1.25µm Au	TELCORDIA UE

- THIS PRODUCT IS CSA APPROVED. THIS PRODUCT IS UL RECOGNIZED.
- FOR RECOMMENDED PTH DIMENSIONS REFER DRAWING : BSA.201572.001
- THIS PRODUCT (LF) MEETS EUROPEAN UNION DIRECTIVES AND OTHER COUNTRY REGULATIONS AS DESCRIBED IN GS-22-008

LAY-OUT  
P.C.B.- HOLE



rev	ecn no	dr	date
A	DG09-0243	NZ	2009.12.1
B	DG10-0093	NZ	2010.3.8
C	DG10-0110	NZ	2010.6.8

Material		Spec ref			
Mat code		✓	tolerance 1DEC ± 0.2 1DEC 2DEC ± 0.1 2DEC ANGLES ± 1° HOEKEN		
Heattreat				projection	MM
Plating/Finish				size A4	Scale 2.000
Dr	Nickor Zuo	Jul-20-09	Product family MILLIPACS		
Eng	Nickor Zuo	Jul-20-09	Model Name		
Chr	PeiMing Zheng	Jul-20-09	Model Revision		
Appr	Joseph Hsia	Jul-20-09	REL Level		
FCI title		MPACS 5+2R RA RCP CONN TYPE C			
Pro/E file	catalog no	HM2R03PA5101----	dwg no BSC201418062		
CUSTOMER DRAWING		sheet 1 of 1			