



Chipsmall Limited consists of a professional team with an average of over 10 year of expertise in the distribution of electronic components. Based in Hongkong, we have already established firm and mutual-benefit business relationships with customers from,Europe,America and south Asia,supplying obsolete and hard-to-find components to meet their specific needs.

With the principle of "Quality Parts,Customers Priority,Honest Operation,and Considerate Service",our business mainly focus on the distribution of electronic components. Line cards we deal with include Microchip,ALPS,ROHM,Xilinx,Pulse,ON,Everlight and Freescale. Main products comprise IC,Modules,Potentiometer,IC Socket,Relay,Connector.Our parts cover such applications as commercial,industrial, and automotives areas.

We are looking forward to setting up business relationship with you and hope to provide you with the best service and solution. Let us make a better world for our industry!



Contact us

Tel: +86-755-8981 8866 Fax: +86-755-8427 6832

Email & Skype: info@chipsmall.com Web: www.chipsmall.com

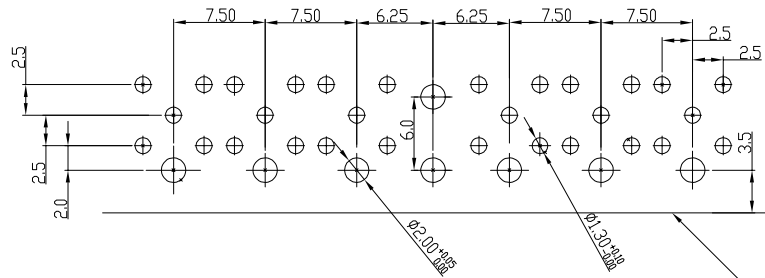
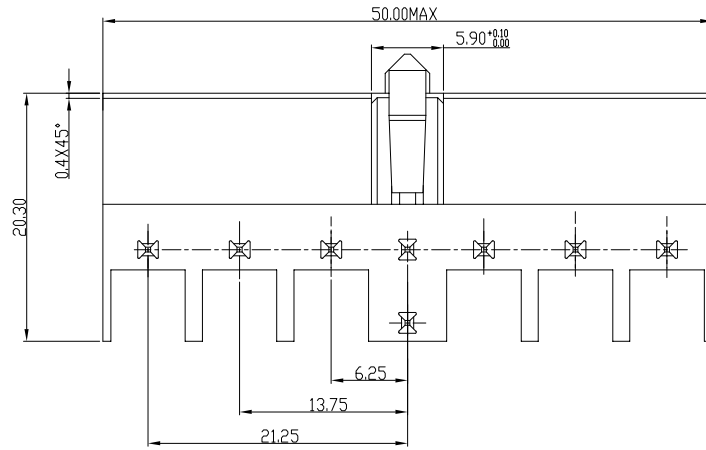
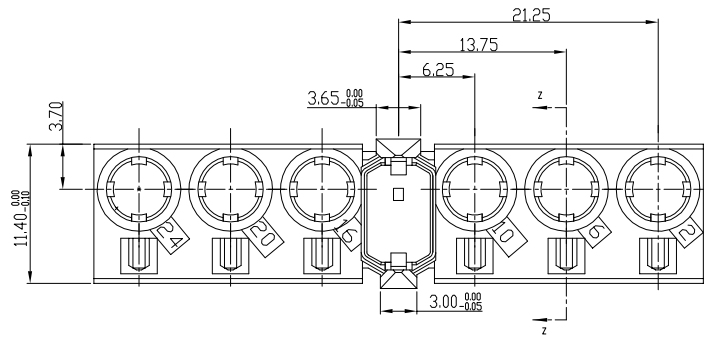
Address: A1208, Overseas Decoration Building, #122 Zhenhua RD., Futian, Shenzhen, China



Tous droits strictement reserves. Reproduction ou communication a des tiers interdite sous quelque forme que ce soit sans autorisation écrite du propriétaire. Propriete de c FCI. Droits de reproduction FCI.



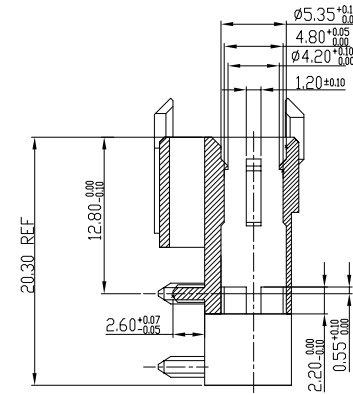
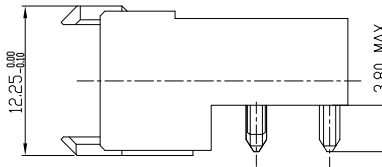
All rights strictly reserved. Reproduction or issue to third parties in any form whatever is not permitted without written authority from the proprietor. Property of FCI. Copyright FCI.



LAY-OUT
P.C.B.- HOLE

NOTES

1. THIS PRODUCT IS CSA APPROVED.
2. THIS PRODUCT IS UL RECOGNIZED.
3. MATERIAL: PLOYESTER 30% GLASS FILLED REINFORCED.
4. THIS PRODUCT (LF) MEETS EUROPEAN UNION DIRECTIVES AND OTHER COUNTRY REGULATIONS AS DESCRIBED IN GS-22-008.
5. THE HOUSING WILL WITHSTAND EXPOSURE TO 260°C PEAK TEMPERATURE FOR 30 SECONDS IN A VAVE SOLDER APPLICATION WITH A 1.6MM MINIMUM THICK CIRCUIT BOARD



Material PLOYESTER 30% GLASS FILLED				Spec ref	
Mat code				tolerance 1DEC±0.2 1DEC 2DEC ± 0.10 2DEC ANGLES±1°DEKEN	projection MM
Heattreat					
Plating/Finish				size A4	Scale 1.500
Dr	W.Panis	07-04-92			
Eng	Product family			MILLIPICS	REL Level
Chr	Model Name			ECN	
Appr	Model Revision				
FCI		title		MILLIPACS 2/FEMALE BODY/TYPE L	dwg no BSC201418004
Pro/E file	catalog no		HM2R04P1LF	CUMSTOMER	
				Rev. C	sheet 1 of 1

rev	ecn no	dr	date
A	CONVERSION REVISION 05	KN	14-09-01
B	DG05-0333	Kasor	16-09-05
C	DG07-0011	Kasor	11-01-07