



Chipsmall Limited consists of a professional team with an average of over 10 year of expertise in the distribution of electronic components. Based in Hongkong, we have already established firm and mutual-benefit business relationships with customers from,Europe,America and south Asia,supplying obsolete and hard-to-find components to meet their specific needs.

With the principle of "Quality Parts,Customers Priority,Honest Operation,and Considerate Service",our business mainly focus on the distribution of electronic components. Line cards we deal with include Microchip,ALPS,ROHM,Xilinx,Pulse,ON,Everlight and Freescale. Main products comprise IC,Modules,Potentiometer,IC Socket,Relay,Connector.Our parts cover such applications as commercial,industrial, and automotives areas.

We are looking forward to setting up business relationship with you and hope to provide you with the best service and solution. Let us make a better world for our industry!



## Contact us

Tel: +86-755-8981 8866 Fax: +86-755-8427 6832

Email & Skype: info@chipsmall.com Web: www.chipsmall.com

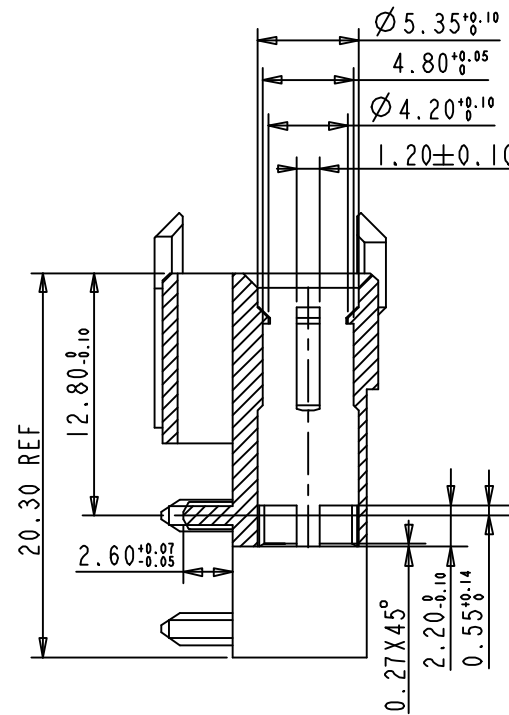
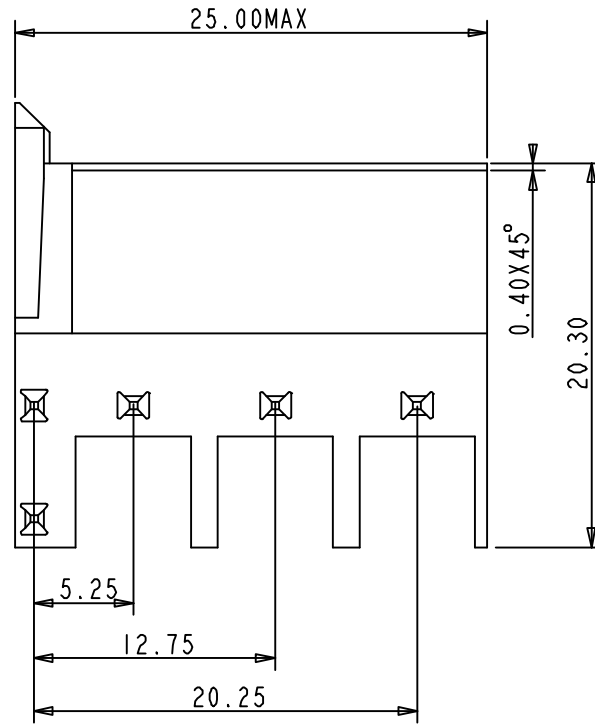
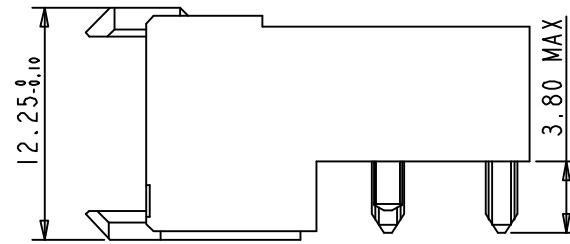
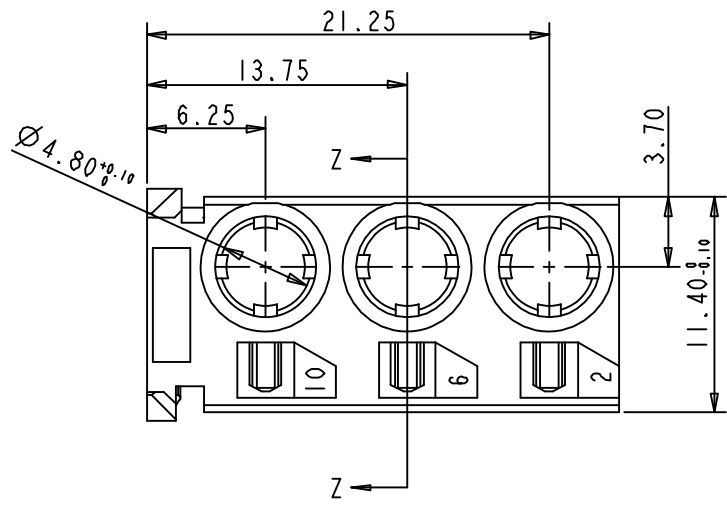
Address: A1208, Overseas Decoration Building, #122 Zhenhua RD., Futian, Shenzhen, China





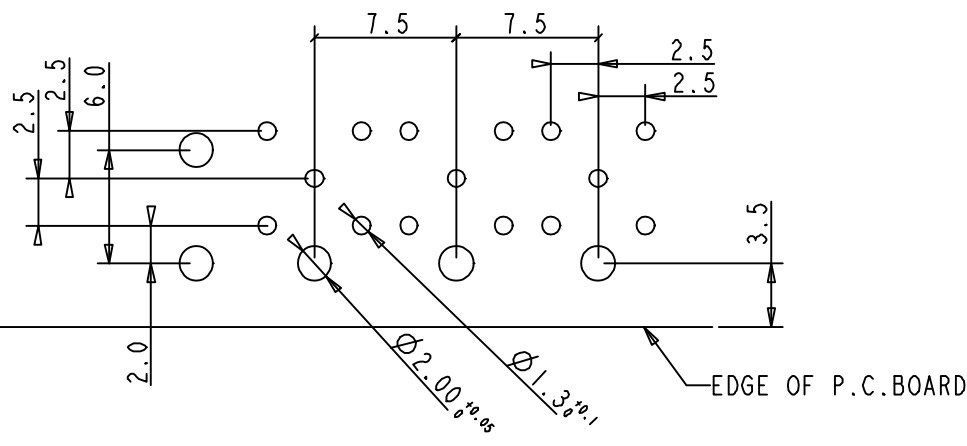
FCIconnect.com

Copyright FCI



### NOTES

1. THIS PRODUCT IS CSA APPROVED.
2. THIS PRODUCT IS UL RECOGNIZED.
3. THIS PRODUCT MEETS EUROPEAN UNION DIRECTIVES AND OTHER COUNTRY REGULATIONS AS DESCRIBED IN GS-47-0004
4. THE HOUSING WILL WITHSTAND EXPOSURE TO 260°C PEAK TEMPERATURE FOR 30 SECONDS IN A WAVE SOLDER APPLICATION WITH A 1.6MM MINIMUM THICK CIRCUIT BOARD.



LAY-OUT  
P.C.B -HOLE

CATALOG NO: HM2R06P1LF

mat'l. code		surface	tolerance	projection	product family	
		ISO 1302	ISO 406 ISO 1101		MILLIPACS	
ltr	ecn no	dr	date	tolerances unless otherwise specified		title
A	CONVERSION REVISION 06	KN	14-09-01	angles	linear	MILLIPACS 2/FEMALE BODY/STYLE N
B	DG05-0333	Kason	16-09-05	0°±1°		
C	ELX-I-17096	BINESH	03-03-14	scale -		sheet 1 of 1 size 5
D	ELX-I-17097	BINESH	04-03-14	dr		
		engr	W.PANIS	1992-07-04		sheet 1 of 1 size 5
		chr			sheet 1 of 1 size 5	
		appd				sheet 1 of 1 size 5
sheet index	revision sheet	D	1			
						sheet 1 of 1 size 5



dwg no **BS, C ,201418, 006** sheet 1 of 1 size 5  
 type Product Customer Drawing