



Chipsmall Limited consists of a professional team with an average of over 10 year of expertise in the distribution of electronic components. Based in Hongkong, we have already established firm and mutual-benefit business relationships with customers from,Europe,America and south Asia,supplying obsolete and hard-to-find components to meet their specific needs.

With the principle of “Quality Parts,Customers Priority,Honest Operation,and Considerate Service”,our business mainly focus on the distribution of electronic components. Line cards we deal with include Microchip,ALPS,ROHM,Xilinx,Pulse,ON,Everlight and Freescale. Main products comprise IC,Modules,Potentiometer,IC Socket,Relay,Connector.Our parts cover such applications as commercial,industrial, and automotives areas.

We are looking forward to setting up business relationship with you and hope to provide you with the best service and solution. Let us make a better world for our industry!



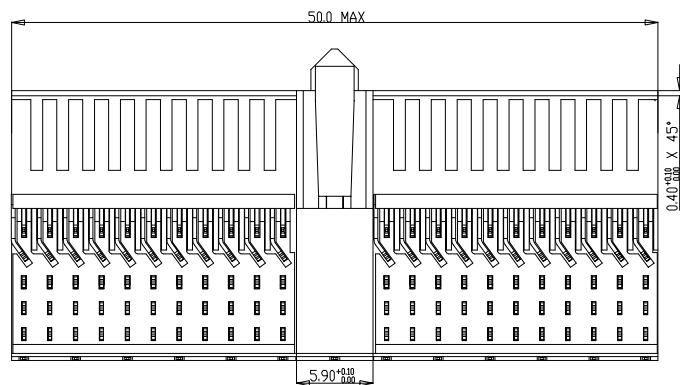
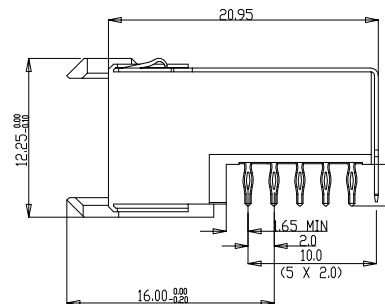
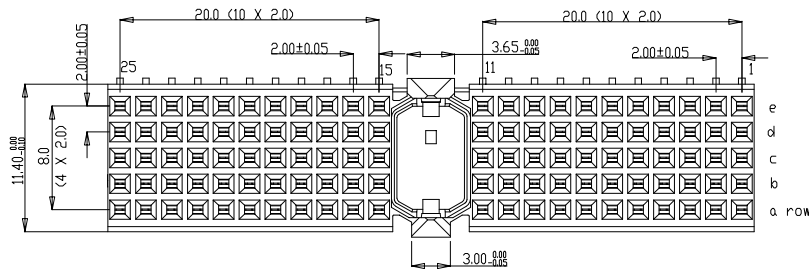
Contact us

Tel: +86-755-8981 8866 Fax: +86-755-8427 6832

Email & Skype: info@chipsmall.com Web: www.chipsmall.com

Address: A1208, Overseas Decoration Building, #122 Zhenhua RD., Futian, Shenzhen, China





PERFORMANCE CHARACTERISTICS

CURRENT RATING 1.5 A AT 20°C (FULLY LOADED)
1 A AT 70°C (FULLY LOADED)

RATED VOLTAGE 500V AC (CONT / CONT)

OPERATING TEMPERATURE -55°C TO 125°C

CONTACT RESISTANCE 20 MΩ MAX

INSERTION FORCE :0.75 N MAX /CONTACT

EXTRACTION FORCE: 0.15 N MIN /CONTACT

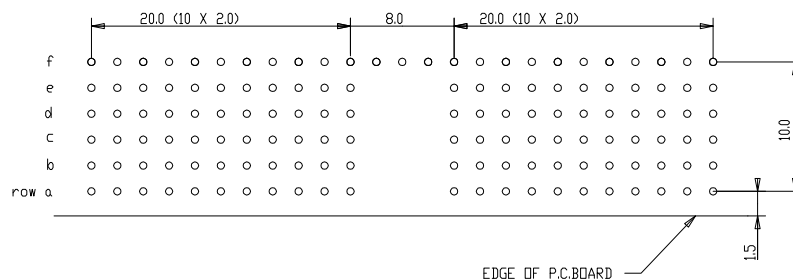
INSULATION RESISTANCE :10⁴ MΩ MIN

- NOTES 1. HM2R10PA5108 LEAD FREE INDICATOR : LF=LEAD FREE(DIGIT 15&16)
 PLATING CODE(DIGIT 13&14)

Plating code	Plating	Performance Level
AA	0.75µm Au	IEC performance level 2(250mating cycles)orTELCORDIA C0
AB	1.25µm Au	TELCORDIA UE

2. THIS PRODUCT IS CSA APPROVED
THIS PRODUCT IS UL RECDGNISED
3. FOR RECOMMENDED PTH DIMENSIONS REFER DRAWING: BSA,201,572001
4. THIS PRODUCT (LF) MEETS EUROPEAN UNION DIRECTIVE
AND OTHER COUNTRY REGULATIONS AS DESCRIBED IN GS-22-008.

LAY OUT
P.C.B.-HOLE



EDGE OF P.C.BOARD

Material		Spec. ref		tolerance	projection	MM
Mat. code				±0.10	±0.10	±0.10
Heat treat				±0.10	±0.10	±0.10
Plating/Finish				±0.10	±0.10	±0.10
rev	ecn no	dr	date	Dr	Wen Zuo	J1625/01
A	000-000	NZ	Jul-20-2009	Eng	Wen Zuo	J1625/01
B	000-000	NZ	Mar-08-2010	Chg	Wen Zuo	J1625/01
C	000-000	NZ	Jun-08-2010	Appr	Joseph Huh	J1625/01
Product Family		MILLIPACS		size		A1
Model Name		HM2R10PA5108----		ECN		5.000
Model Revision				REL Level		
FCI		MPACS 5+2R RA RCP		BSC201418033		Rev.
CONN TYPE A						C
Prd/E File		catalog no		HM2R10PA5108----		CUSTOMER DRAWING
						sheet 1 of 1