



Chipsmall Limited consists of a professional team with an average of over 10 year of expertise in the distribution of electronic components. Based in Hongkong, we have already established firm and mutual-benefit business relationships with customers from,Europe,America and south Asia,supplying obsolete and hard-to-find components to meet their specific needs.

With the principle of “Quality Parts,Customers Priority,Honest Operation,and Considerate Service”,our business mainly focus on the distribution of electronic components. Line cards we deal with include Microchip,ALPS,ROHM,Xilinx,Pulse,ON,Everlight and Freescale. Main products comprise IC,Modules,Potentiometer,IC Socket,Relay,Connector.Our parts cover such applications as commercial,industrial, and automotives areas.

We are looking forward to setting up business relationship with you and hope to provide you with the best service and solution. Let us make a better world for our industry!



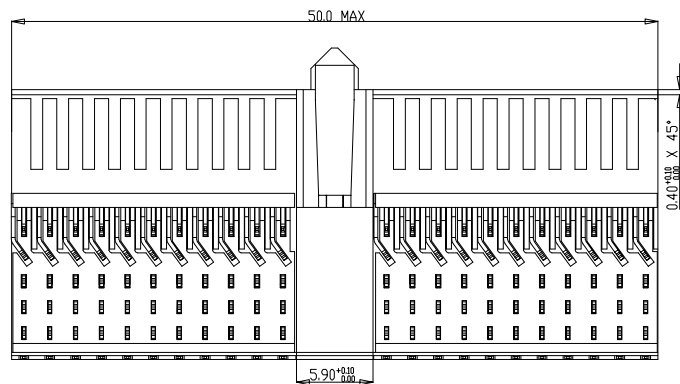
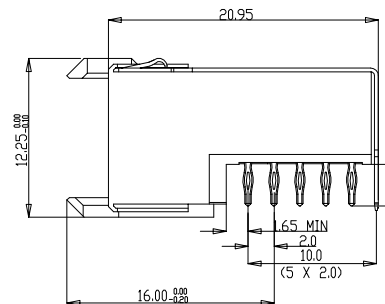
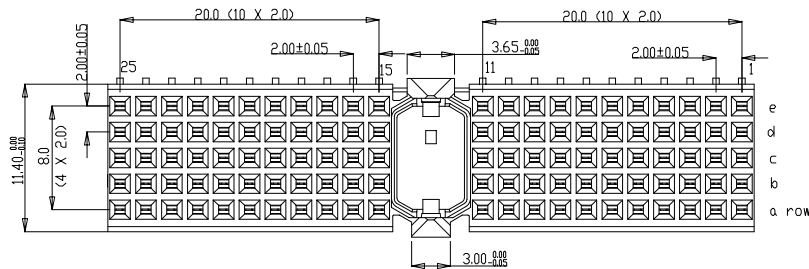
## Contact us

Tel: +86-755-8981 8866 Fax: +86-755-8427 6832

Email & Skype: info@chipsmall.com Web: www.chipsmall.com

Address: A1208, Overseas Decoration Building, #122 Zhenhua RD., Futian, Shenzhen, China





PERFORMANCE CHARACTERISTICS

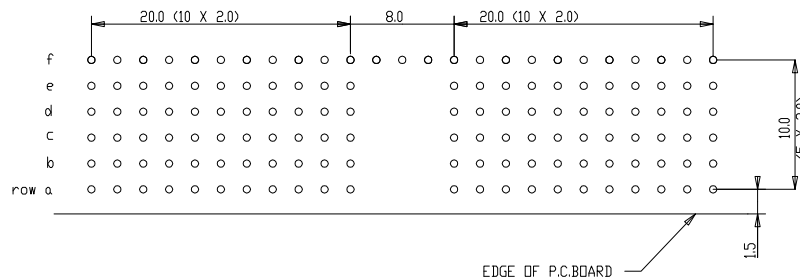
CURRENT RATING 1.5 A AT 20°C (FULLY LOADED)  
1 A AT 70°C (FULLY LOADED)

RATED VOLTAGE 500V AC (CONT / CNT)  
OPERATING TEMPERATURE -55°C TO 125°C  
CONTACT RESISTANCE 20 MΩ MAX  
INSERTION FORCE :0.75 N MAX /CONT  
EXTRACTION FORCE: 0.15 N MIN /CONT  
INSULATION RESISTANCE :10<sup>4</sup> MΩ MIN

NOTES

- LEAD FREE INDICATOR : LF- LEAD FREE
- PERFORMANCE LEVEL INDICATOR (REF DWG No. BSA,C,201844,003)  
THIS PRODUCT IS CSA APPROVED  
THIS PRODUCT IS UL RECOGNISED
- FOR RECOMMENDED PTH DIMENSIONS REFER DRAWING: BSA,201,572001
- THIS PRODUCT (LF) MEETS EUROPEAN UNION DIRECTIVE AND OTHER COUNTRY REGULATIONS AS DESCRIBED IN GS-22-008.

LAY OUT  
P.C.B.-HOLE



Material				Spec ref								
Mat code				tolerance								
Heat treat				projection								
Plating/Finish				MM								
rev	ecn no	dr	date	Dr	4 2 92	J V B	Product family	MILLIPACS	size	A1	Scale	5.000
A	000000	KN	14-9-01	Eng			Model Name	HM210P510F----	ECN			
B	105-0093	MNI	08/06/05	Chr			Model Revision		REL Level			
C	1005-0278	Kason	02/08/05	Appr								
D	1007-0362	Kason	05/09/07									
E	EG01-0110	NZ	05/30/10									
-	-	-	-									
07	DIMENSION CHANGE	RM	09/08/01	Prd/E File	catalog no	HM210P510F----	CUSTOMER DRAWING		sheet 1 of 1			