



Chipsmall Limited consists of a professional team with an average of over 10 year of expertise in the distribution of electronic components. Based in Hongkong, we have already established firm and mutual-benefit business relationships with customers from,Europe,America and south Asia,supplying obsolete and hard-to-find components to meet their specific needs.

With the principle of "Quality Parts,Customers Priority,Honest Operation,and Considerate Service",our business mainly focus on the distribution of electronic components. Line cards we deal with include Microchip,ALPS,ROHM,Xilinx,Pulse,ON,Everlight and Freescale. Main products comprise IC,Modules,Potentiometer,IC Socket,Relay,Connector.Our parts cover such applications as commercial,industrial, and automotives areas.

We are looking forward to setting up business relationship with you and hope to provide you with the best service and solution. Let us make a better world for our industry!



Contact us

Tel: +86-755-8981 8866 Fax: +86-755-8427 6832

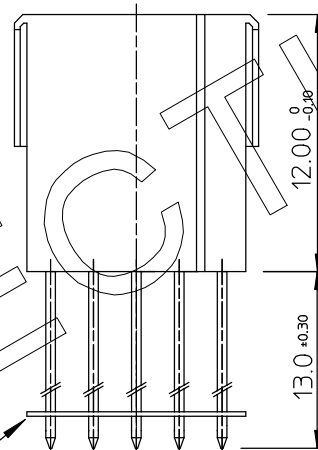
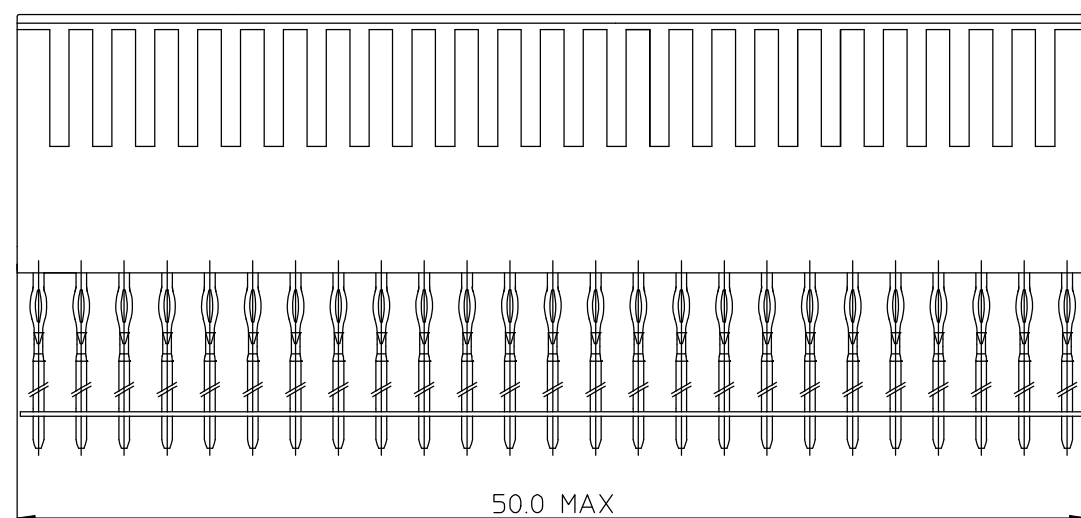
Email & Skype: info@chipsmall.com Web: www.chipsmall.com

Address: A1208, Overseas Decoration Building, #122 Zhenhua RD., Futian, Shenzhen, China

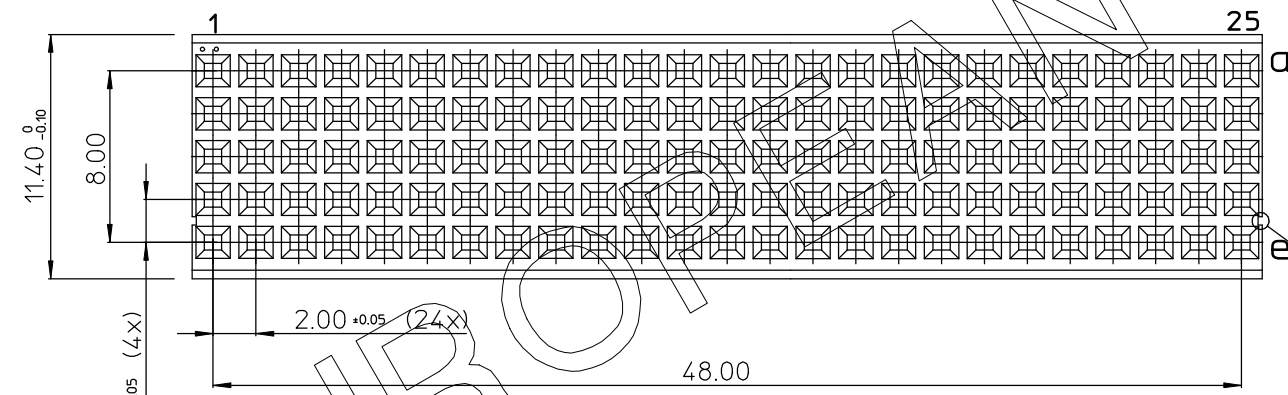


GEN. ST.	01	02	03	04	05	06	07	08	0D	50	60	70	80	90																	
INT. ST.	10	11	12	13	14	18	20	31	32	33	34	38	39	40	42	43	44	45	46	48	56	70	72	73	75	76	81	82	83	84	88

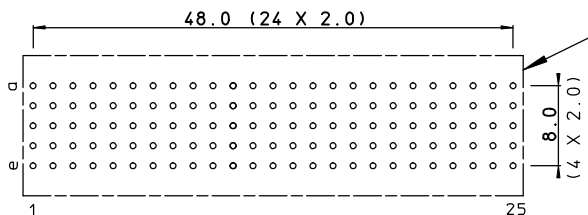
REV.	DATE	DESCRIPTION	BY	C'K'D'
A	14-09-01	CONVERSION REVISION 00	KN	
B	21-11-01	EC B10094	MF	
C	27-11-04	104-0109	ALEX B	BKP



ALIGNMENTSTRIP



LAY-OUT P.C.B.- HOLE (FRONT SIDE)



PERFORMANCE CHARACTERISTICS

- CURRENT RATING : 1.5 A AT 20°C (FULLY LOADED)
- 1 A AT 70°C (FULLY LOADED)
- RATED VOLTAGE : 500 V AC (CONT / CONT)
- OPERATING TEMPERATURE : -55°C TO 125°C
- CONTACT RESISTANCE : 20 mΩ MAX
- INSERTION FORCE : 0.75 N MAX / CONT
- EXTRACTION FORCE : 0.15 N MIN / CONT
- INSULATION RESISTANCE : 10⁴ MΩ MIN

VISUAL POLARISATION AT COLUMN 25 SHOULD COINCIDE WITH 25TH COLUMN ON PCB

NOTE 1: "--" PERFORMANCE LEVEL INDICATION

- GC: PL3
- GF: PL2
- GL: PL1

FEMALE SIGNAL STRAIGHT PRESS-FIT -TO-BOARD CONNECTOR

WITHOUT SERVICECENTER

1DEC ±0,2 1DEC 2DEC ±0,1 2DEC ANGLES ±1° HOEKEN	APPR.	DATE	SIGN.	MPACS 5R STR REC CONN TYPE B
WE RESERVE THE RIGHT TO CHANGE DIMENSIONS OR REQUIREMENTS WITHOUT PRIOR NOTICE.	DRAFT	10.04.98	M.Freit	CAT. No. HM2S02PK5100--
ALL DIMENSIONS IN MM	PROD. MGR.			SCALE
ALLE AFMETINGEN IN MM	PR.ENG.MGR.			3/1
	PR.MGT.MGR.			FCI MECHELEN N.V. A. SPINOYSTRAAAT 8, 2800 MECHELEN
	REFERENCES / REFERENTIES			BS,C ,201907,012
	DRAWING No. CUSTOMER DRAWING			C
	REVISION			

THIS IS OUR EXCLUSIVE PROPERTY IT IS NOT TO BE COPIED, REPRINTED OR DISCLOSED TO A THIRD PARTY. NOR USED FOR MANUFACTURING WITHOUT OUR WRITTEN CONSENT. AND HAS TO BE RETURNED TO US IN CASE OF NO USAGE

DIT IS ONZE EIGENDOM EN MAG NOCH NAGEMAAKT, HERDRUKT, OVERGEMAAKT AAN DERDEN. NOCH VOOR FABRIKATIE GEBRUIKT WORDEN, ZONDER ONZE SCHRIFTELIJKE TOELATING. BIJ NIET GEBRUIK IS TERUGZENDING VERPLICHT.