



Chipsmall Limited consists of a professional team with an average of over 10 year of expertise in the distribution of electronic components. Based in Hongkong, we have already established firm and mutual-benefit business relationships with customers from,Europe,America and south Asia,supplying obsolete and hard-to-find components to meet their specific needs.

With the principle of “Quality Parts,Customers Priority,Honest Operation,and Considerate Service”,our business mainly focus on the distribution of electronic components. Line cards we deal with include Microchip,ALPS,ROHM,Xilinx,Pulse,ON,Everlight and Freescale. Main products comprise IC,Modules,Potentiometer,IC Socket,Relay,Connector.Our parts cover such applications as commercial,industrial, and automotives areas.

We are looking forward to setting up business relationship with you and hope to provide you with the best service and solution. Let us make a better world for our industry!



Contact us

Tel: +86-755-8981 8866 Fax: +86-755-8427 6832

Email & Skype: info@chipsmall.com Web: www.chipsmall.com

Address: A1208, Overseas Decoration Building, #122 Zhenhua RD., Futian, Shenzhen, China



1

2

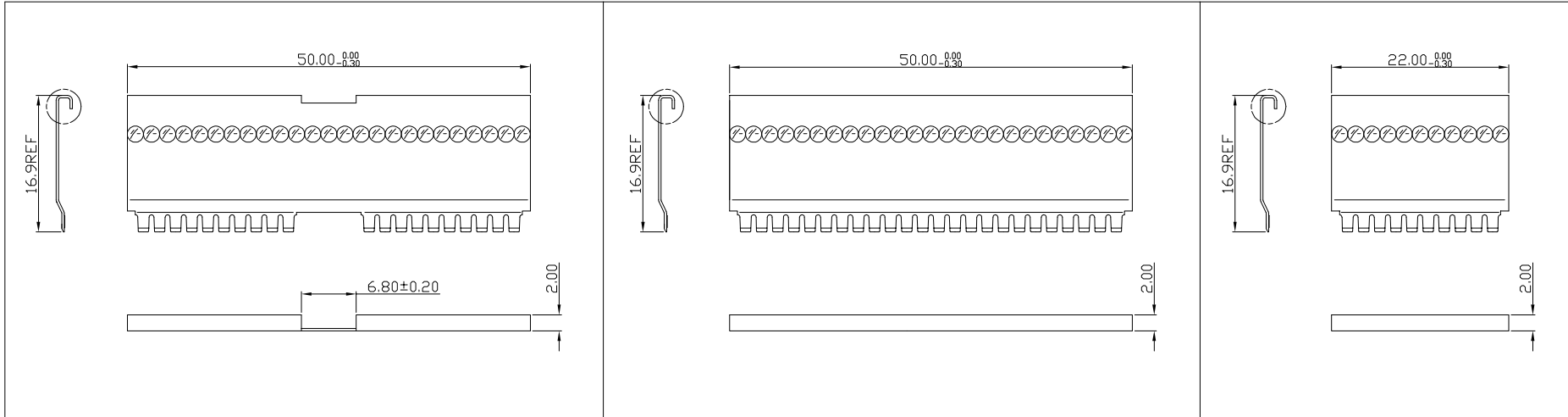
3

4

HM2SC22A8LF

HM2SC25A8LF

HM2SC11A8LF



A

B

C

D

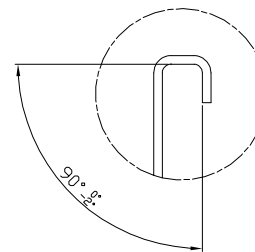
NOTES:

- MAKE SURE TO USE THE ACCORDING SHIELDING COVER FOR THE FEMALE CONNECTORS:
 HM2SC22A8LF FOR TYPE D (8+2 ROW CONN.)
 HM2SC25A8LF FOR TYPE E (8+2 ROW CONN.)
 HM2SC11A8LF FOR TYPE F (8+2 ROW CONN.)

2. PCB RANGE : 1.4 - 2.7 mm MAX.

3. THIS PRODUCT (LF) MEETS EUROPEAN UNION DIRECTIVES AND OTHER COUNTRY REGULATIONS AS DESCRIBED IN GS-22-008

DETAIL



Tous droits strictement reserves. Reproduction ou communication a des tiers interdite sous quelque forme que ce soit sans autorisation echrite du proprietaire. Propriete de c FCI. Droits de reproduction FCI.



All rights strictly reserved. Reproduction or issue to third parties in any form whatever is not permitted without written authority from the proprietor. Property of FCI. Copyright FCI.

rev	ecn no	dr	date
A	CONVERSION REV 04	KN	24-09-01
B	B10074	MF	24-10-01
C	EC B30061	MF	27-03-03
D	DG05-0381	Kason	10-10-05

www.fciconnect.com		<input checked="" type="checkbox"/>	tolerance 1DEC ±0.2 1DEC 2DEC ±0.1 2DEC ANGLES ±1° HOEKEN	projection 	← MM →			
Dr	M.Fret	07-04-98	Product family	MILLIPICS	size	A4	Scale	2/1
Eng			Spec ref		ECN			
Chr			Material					
Appr								
title MPACS 8+2R RA RCP SHIELDING COVER				dwg no	BS,C ,201578,007		Rev.	D
catalog no			HM2SC--A8LF		CUMSTOMER	sheet 1 of 1		

1

2

3

PDM: Rev:D

STATUS:Released

Printed: Mar 15, 2011