



Chipsmall Limited consists of a professional team with an average of over 10 year of expertise in the distribution of electronic components. Based in Hongkong, we have already established firm and mutual-benefit business relationships with customers from,Europe,America and south Asia,supplying obsolete and hard-to-find components to meet their specific needs.

With the principle of “Quality Parts,Customers Priority,Honest Operation,and Considerate Service”,our business mainly focus on the distribution of electronic components. Line cards we deal with include Microchip,ALPS,ROHM,Xilinx,Pulse,ON,Everlight and Freescale. Main products comprise IC,Modules,Potentiometer,IC Socket,Relay,Connector.Our parts cover such applications as commercial,industrial, and automotives areas.

We are looking forward to setting up business relationship with you and hope to provide you with the best service and solution. Let us make a better world for our industry!



Contact us

Tel: +86-755-8981 8866 Fax: +86-755-8427 6832

Email & Skype: info@chipsmall.com Web: www.chipsmall.com

Address: A1208, Overseas Decoration Building, #122 Zhenhua RD., Futian, Shenzhen, China

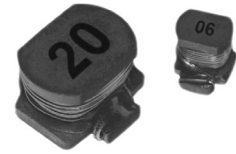


Electrical / Environmental

HM61

Injection Moulded Surface Mount Inductors

- Operating Temperature Range -40°C to +155°C
- Operating Frequency Up to 3MHz



Specifications

Part Number	Inductance, L ₀ @100kHz, 0.1V µH ± 20%	Rated Current ⁽¹⁾ Amps	Self-Resonating Frequency (SRF) MHz Typ.	DCR Ω Typ.	Ht Height mm Max.	Marking Code		Fig.
						Std	LF	
HM61-101R0LF	1.0	4.0	120	0.015	4.95	01	43	1
HM61-101R5LF	1.5	3.3	60	0.021	4.95	02	44	1
HM61-102R2LF	2.2	2.5	56	0.028	4.95	03	45	1
HM61-102R7LF	2.7	1.0	47	0.033	4.95	41	46	1
HM61-103R3LF	3.3	2.2	38	0.040	4.95	04	47	1
HM61-104R7LF	4.7	1.4	34	0.040	4.95	42	48	1

Specifications

Part Number	Inductance, L ₀ @1kHz, 0.1V µH ± 10%	Rated Current ⁽¹⁾ Amps	Self-Resonating Frequency (SRF) MHz Typ.	DCR Ω Typ.	Ht Height mm Max.	Marking Code		Fig.
						Std	LF	
HM61-10100LF	10	1.3	30	0.12	4.7	05	49	1
HM61-10220LF	22	0.8	20	0.26	4.7	06	50	1
HM61-10470LF	47	0.6	12	0.50	4.7	07	51	1
HM61-10101LF	100	0.4	7.0	1.00	4.7	08	52	1
HM61-10221LF	220	0.27	3.5	2.20	4.7	09	53	1
HM61-10471LF	470	0.18	2.2	5.00	4.7	10	54	1
HM61-20100LF	10	2.7	25	0.065	5.7	11	55	2
HM61-20120LF	12	2.5	22	0.07	5.7	12	56	2
HM61-20150LF	15	2.2	20	0.09	5.7	13	57	2
HM61-20180LF	18	2.0	16	0.10	5.7	14	58	2
HM61-20220LF	22	1.8	15	0.11	5.7	15	59	2
HM61-20270LF	27	1.6	14	0.13	5.7	16	60	2
HM61-20330LF	33	1.5	13	0.15	5.7	17	61	2
HM61-20390LF	39	1.3	12	0.18	5.7	18	62	2
HM61-20470LF	47	1.2	11	0.20	5.7	19	63	2
HM61-20560LF	56	1.1	9.0	0.25	5.7	20	64	2
HM61-20680LF	68	1.0	8.0	0.28	5.7	21	65	2
HM61-20820LF	82	0.9	7.5	0.35	5.7	22	66	2
HM61-20101LF	100	0.84	7.0	0.45	5.7	23	67	2
HM61-20121LF	120	0.77	6.5	0.50	5.7	24	68	2
HM61-20151LF	150	0.69	6.2	0.65	5.7	25	69	2
HM61-20181LF	180	0.62	6.0	0.75	5.7	26	70	2
HM61-20221LF	220	0.57	5.2	0.95	5.7	27	71	2
HM61-20271LF	270	0.51	4.5	1.10	5.7	28	72	2
HM61-20331LF	330	0.46	4.0	1.35	5.7	29	73	2
HM61-20391LF	390	0.43	3.5	1.60	5.7	30	74	2
HM61-20471LF	470	0.39	2.8	2.00	5.7	31	75	2
HM61-20561LF	560	0.36	2.7	2.40	5.7	32	76	2
HM61-20681LF	680	0.32	2.6	2.70	5.7	33	77	2
HM61-20821LF	820	0.30	1.7	3.60	5.7	34	78	2
HM61-20102LF	1000	0.27	1.6	4.30	5.7	35	79	2
HM61-20122LF	1200	0.25	1.5	5.60	5.7	36	80	2

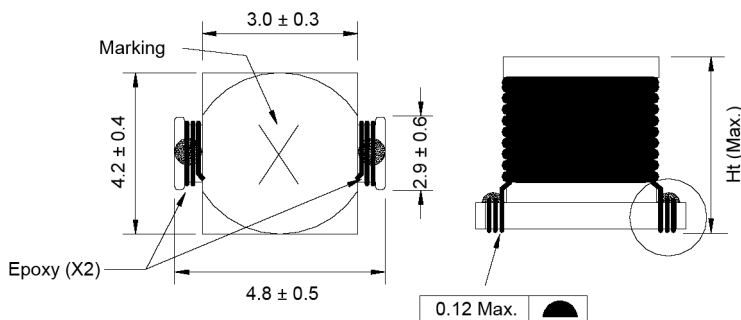
Specifications (Cont'd)

Part Number	Inductance, L_0 @1kHz, 0.1V $\mu\text{H} \pm 10\%$	Rated Current ⁽¹⁾ Amps	Self-Resonating Frequency (SRF) MHz Typ.	DCR Ω Typ.	Ht Height mm Max.	Marking Code		Fig.
						Std	LF	
HM61-20152LF	1500	0.22	1.45	6.50	5.7	37	81	2
HM61-20182LF	1800	0.20	1.4	7.00	5.7	38	82	2
HM61-20222LF	2200	0.18	1.3	9.20	5.7	39	83	2
HM61-20272LF	2700	0.16	1.2	10.50	5.7	40	84	2

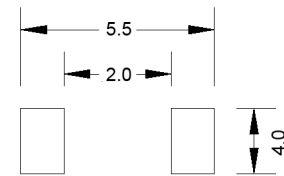
Notes: (1) Rated current is the maximum DC current at which the inductance will be increased by 10% from its initial (zero DC) value or the current at which $\Delta T = 40^\circ\text{C}$, whichever is lower.
 (2) Electrical specifications at 25°C .

Outline Dimension (mm)

Figure 1

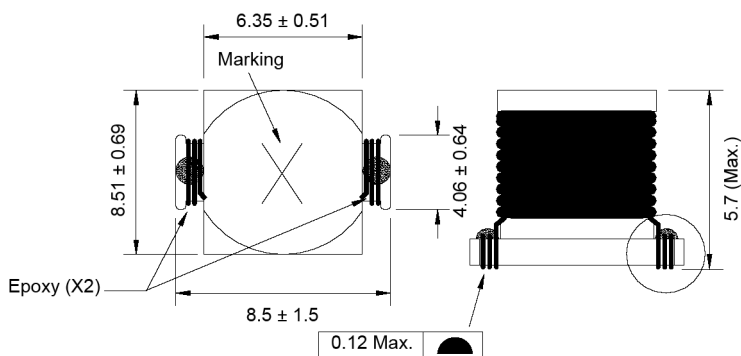


Recommended Solder Pad Layout

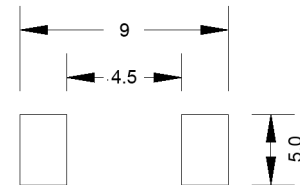


Refer to Specification table for 'Ht' dimension of each model

Figure 2



Recommended Solder Pad Layout



Packaging

Standard: Embossed Tape & Reel

Reel:	Diameter:	Figure 1	=	7" (177.8mm)
		Figure 2	=	13" (330.2mm)
Capacity:		Figure 1	=	300 Units
		Figure 2	=	750 Units

Ordering Information

