



Chipsmall Limited consists of a professional team with an average of over 10 year of expertise in the distribution of electronic components. Based in Hongkong, we have already established firm and mutual-benefit business relationships with customers from,Europe,America and south Asia,supplying obsolete and hard-to-find components to meet their specific needs.

With the principle of “Quality Parts,Customers Priority,Honest Operation,and Considerate Service”,our business mainly focus on the distribution of electronic components. Line cards we deal with include Microchip,ALPS,ROHM,Xilinx,Pulse,ON,Everlight and Freescale. Main products comprise IC,Modules,Potentiometer,IC Socket,Relay,Connector.Our parts cover such applications as commercial,industrial, and automotives areas.

We are looking forward to setting up business relationship with you and hope to provide you with the best service and solution. Let us make a better world for our industry!



Contact us

Tel: +86-755-8981 8866 Fax: +86-755-8427 6832

Email & Skype: info@chipsmall.com Web: www.chipsmall.com

Address: A1208, Overseas Decoration Building, #122 Zhenhua RD., Futian, Shenzhen, China



Electrical / Environmental

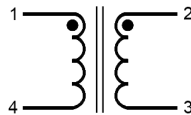
HM69C

Surface Mount Coupled Inductors

- Operating Temperature Range -40°C to +125°C
- Temperature Rise, Maximum 40°C
- Operating Frequency Up to 3MHz



Schematic

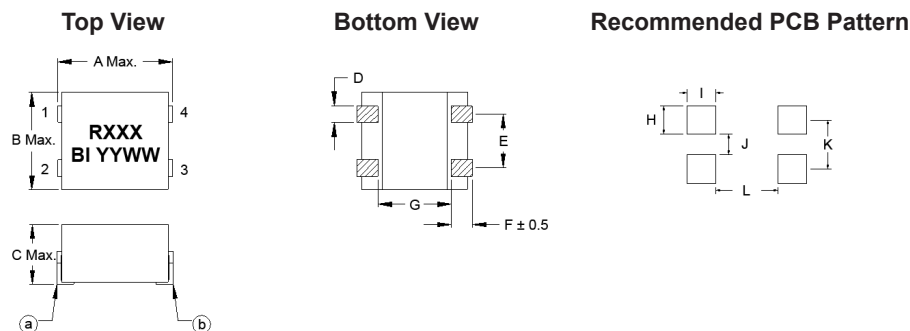


Specifications @ 25°C

Part Number	LS ⁽¹⁾ (nH ± 20%)	LS @ I _{sat-1} (nH Min.)	2*LK ⁽²⁾ (nH ± 20%)	2*LK @ I _{sat-2} (nH Min.)	DCR ⁽³⁾ (mΩ ± 7%)	I _{sat-1} ⁽⁴⁾ (Adc)	I _{sat-2} ⁽⁵⁾ (Adc)
HM69C-1565R625LF	625	500	375	300	0.27	10	25
HM69C-1570R625LF	625	500	375	300	0.27	10	25

- Notes: (1) LS is the inductance of each phase [Winding (1-4) with pins 2 & 3 open; or winding (2-3) with pins 1 & 4 open] @ 500kHz, 1V, 25°C.
 (2) 2*LK is two times of leakage inductance [Winding (1-2) with pins 4 & 3 shorted] @100kHz, 0.1V.
 (3) DCR is measured at 25°C at points a and b.
 (4) I_{sat-1} is the DC current which causes LS to drop to LS @ I_{sat-1}.
 (5) I_{sat-2} is the DC current which causes 2*LK to drop to 2*LK @ I_{sat-2}.

Outline Dimensions (mm)



Case Size	A Max.	B Max.	C Max.	D	E	F	G	H	I	J	K	L
1565	15.0	13.5	6.5	3.0	6.0	2.5	9.5	3.5	3.6	2.5	6.6	7.7
1570	15.0	13.5	7.0	3.0	6.0	2.5	9.5	3.5	3.6	2.5	6.6	7.7

Packaging

Standard: Embossed Tape & Reel

Reel: Diameter: = 13" (330.2mm)
 Capacity: Case size 1565, 1570 = 250 Units

Ordering Information

