



Chipsmall Limited consists of a professional team with an average of over 10 year of expertise in the distribution of electronic components. Based in Hongkong, we have already established firm and mutual-benefit business relationships with customers from,Europe,America and south Asia,supplying obsolete and hard-to-find components to meet their specific needs.

With the principle of “Quality Parts,Customers Priority,Honest Operation,and Considerate Service”,our business mainly focus on the distribution of electronic components. Line cards we deal with include Microchip,ALPS,ROHM,Xilinx,Pulse,ON,Everlight and Freescale. Main products comprise IC,Modules,Potentiometer,IC Socket,Relay,Connector.Our parts cover such applications as commercial,industrial, and automotives areas.

We are looking forward to setting up business relationship with you and hope to provide you with the best service and solution. Let us make a better world for our industry!



Contact us

Tel: +86-755-8981 8866 Fax: +86-755-8427 6832

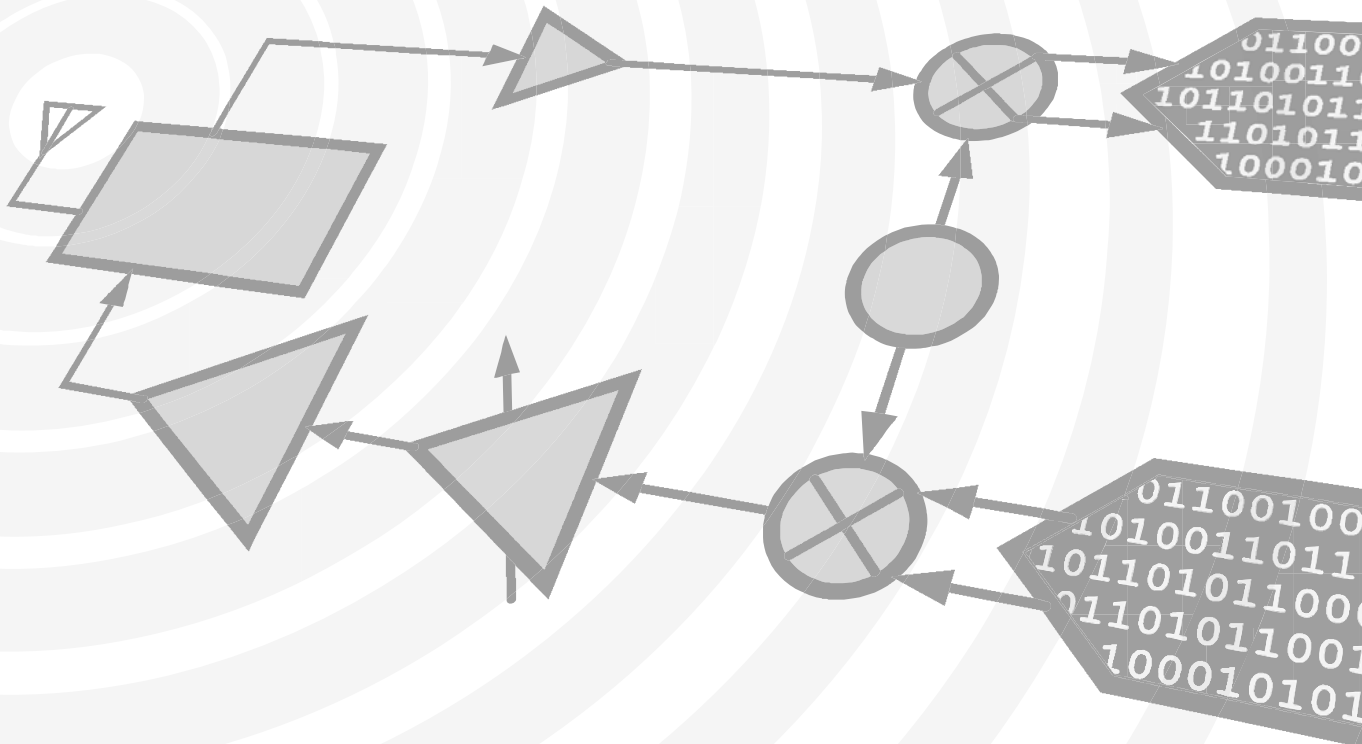
Email & Skype: info@chipsmall.com Web: www.chipsmall.com

Address: A1208, Overseas Decoration Building, #122 Zhenhua RD., Futian, Shenzhen, China



Analog Devices Welcomes Hittite Microwave Corporation

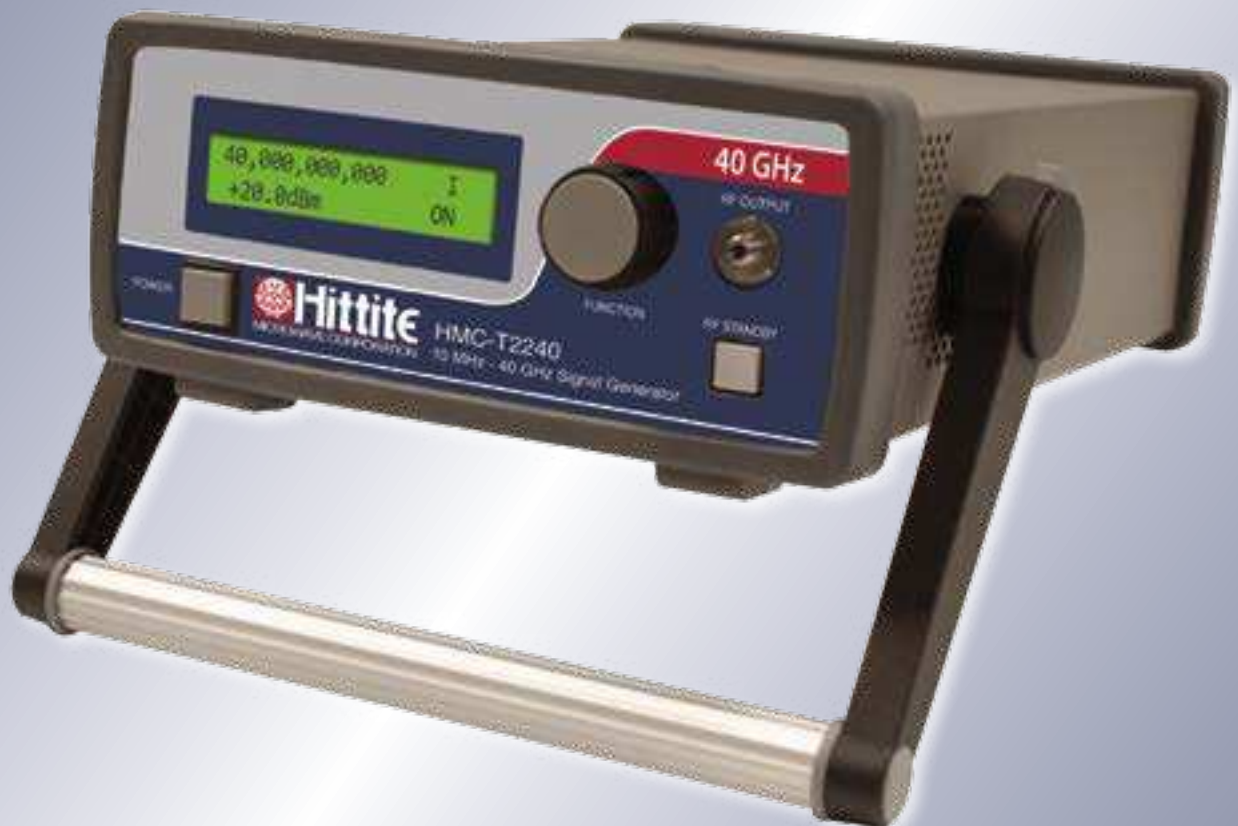
NO CONTENT ON THE ATTACHED DOCUMENT HAS CHANGED



THIS PAGE INTENTIONALLY LEFT BLANK

HMC-T2240

Synthesized Signal Generator, 10 MHz to 40 GHz



HMC-T2240

SYNTHESIZED SIGNAL GENERATOR, 10 MHz to 40 GHz

v09.0714

Wide Frequency Range, 10 MHz to 40 GHz Signal Generator!

The HMC-T2240 is an easy to implement test equipment solution designed to fulfill your signal generation needs. Built on a foundation of high quality and market leading Hittite MMICs, the HMC-T2240 provides the highest output power, lowest harmonic levels and broadest frequency range amongst signal generators of its size and cost.

This compact and lightweight signal generator also features USB, GPIB and Ethernet interfaces ensuring carefree integration within various test environments while improving overall productivity and equipment utilization.

Applications

- ◆ ATE
- ◆ Test & Measurement
- ◆ R&D Laboratories

Advantages

- ◆ Versatile: Higher Drive Simplifies Test Set-Ups
- ◆ Efficient: 500 μ s Frequency Switching
- ◆ Reliable: Incorporates Hittite MMICs
- ◆ Flexible: Manual or Software Control
Via USB, GPIB or Ethernet

Performance

- ◆ High Output Power: +27 dBm @ 1 GHz
- ◆ Wide Frequency Range:
10 MHz to 40 GHz
- ◆ Excellent Phase Noise Performance:
-98 dBc/Hz @ 10 kHz Offset @ 10 GHz
- ◆ Spurious Rejection: -70 dBc @ 10 GHz
- ◆ Power Resolution: 0.1 dB
- ◆ Frequency Resolution: 1 Hz



HMC-T2240

SYNTHESIZED SIGNAL GENERATOR, 10 MHz to 40 GHz

v09.0714

Frequency

Accuracy: As Per Internal Ref. ± 1.5 ppm
 Resolution: 1 Hz
 Internal Reference: 10 MHz
 Aging Rate: <1 ppm/yr
 External Reference Input: 10 MHz (Sine)
 Internal Reference Output: 10 MHz (Square Wave)
 Frequency Switching Speed: 500 μ s

Output Power (Maximum Levelled)

Minimum Settable: -40 dBm

Frequency (GHz)	Power Output (dBm)
0.01	24
0.1	26
0.5	27
1	27
5	25
10	23
15	23
20	19
25	20
30	22
40	20

Dynamic Range: >60 dB

Resolution: 0.1 dB

Power Accuracy: ± 1 dB > 500 MHz
 ± 2 dB \leq 500 MHz
 ± 2 dB < -20 dBm (All Frequencies)

RF OFF < -70 dBm

Spurious @ 10 dBm Output

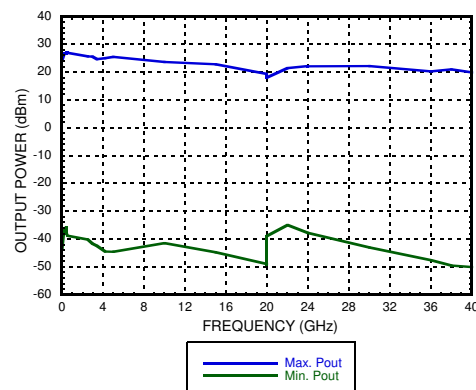
- < -70 dBc @ Integer Frequencies
- < -65 dBc @ Fractional Frequencies <10 GHz
- < -57 dBc @ Fractional Frequencies 10-20 GHz
- < -52 dBc @ Fractional Frequencies > 20 GHz

Harmonics

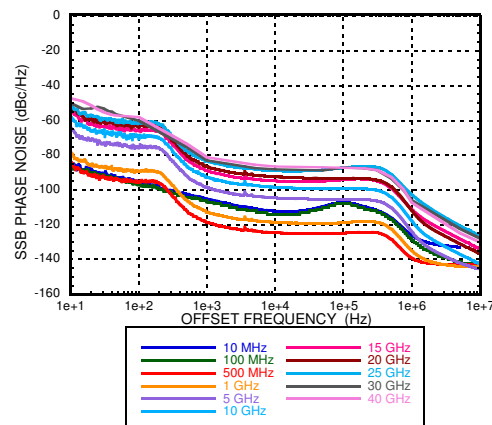
Frequency (GHz)	2nd Harmonics (dBc)	3rd Harmonics (dBc)
0.01	-37	-45
0.05	-30	-42
0.1	-30	-40
0.5	-35	-58
1	-34	-52
2	-30	-48
5	-32	-58
10	-34	-68
15	-47	-75
20	-55	-
25	-35	-

Output Power = +10 dBm

Output Power Range @ 25°C



SSB Phase Noise vs. Frequency



SSB Phase Noise (dBc/Hz)

Frequency (GHz)	Offset From Carrier						
	10 Hz	100 Hz	1 kHz	10 kHz	100 kHz	1 MHz	10 MHz
0.01	-85	-95	-105	-112	-107	-126	-140
0.10	-88	-97	-106	-114	-108	-128	-142
0.50	-83	-95	-118	-124	-124	-139	-142
1	-79	-89	-112	-118	-119	-135	-144
5	-64	-76	-98	-104	-105	-124	-145
10	-57	-71	-93	-98	-99	-118	-142
15	-54	-66	-88	-94	-94	-111	-134
20	-52	-64	-86	-92	-93	-112	-137
25	-51	-61	-83	-89	-87	-102	-126
30	-50	-60	-83	-88	-87	-106	-128
40	-48	-57	-81	-86	-87	-107	-130

Output Noise: Floor < -150 dBc/Hz 10 MHz to 20 GHz

< -140 dBc/Hz 20 GHz to 40 GHz

Above data is typical performance at +25°C after 30 minutes of warm-up time unless otherwise stated.



2 Elizabeth Drive • Chelmsford, MA 01824

Phone: 978-250-3343 Fax: 978-250-3373

Order Online at www.tm-hittite.com

Instrumentation Product Support at TE@hittite.com

HMC-T2240

SYNTHESIZED SIGNAL GENERATOR, 10 MHz to 40 GHz

v09.0714

General Specifications

Frequency:	Power - AC:
Accuracy:	100 to 240 VAC @ 50 to 60 Hz
For < 2.5 GHz, Reference +0/-90 nHz	Operating Temperature (for indoor use only):
For > 2.5 GHz, Reference +0/-2.88 μ Hz	0 to 35 °C
Internal Reference: \pm 1.5 ppm	Storage Temperature: -20 to 70 °C
Resolution: 1 Hz	Cooling: 2 Internal Fans
Aging Rate: <1 ppm/yr	Fan Noise: < 50 dBA
External Reference Input: 10 MHz (Sine Wave)	Mechanical Vibration & Shock:
Internal Reference Output: 10 MHz (Square Wave)	MIL PRF-288000 Class 4, non operating
Frequency Switching Speed: 500 μ s	Compliance:
RF Output Power Change Versus Temperature:	CSA & CE
10 MHz to 5 GHz 0.10 dB/°C	ECCN:
5 GHz to 15 GHz 0.125 dB/°C	EAR99
15 GHz to 20 GHz 0.20 dB/°C	General Mechanical Characteristics
20 GHz to 40 GHz 0.10 dB/°C	H: 76.2 mm (3 in)
Input / Output:	W: 203 mm (8 in)
10 MHz REFOUT ^[1]	D: 305 mm (12 in)
10 MHz REFIN ^[2]	Weight 3.6 kg (8 lbs)
TRIGGER IN ^[3] : TTL	Warranty: 1 Year Parts and Labor
TRIGGER OUT ^[3] : TTL	
RS-232 (used for field upgrades)	
Ethernet	
GPIB	
USB 2.0	
RF Output 2.92mm Female	
Maximum DC voltage applied to RF Output: 8 Volts	

[1] +10 dBm typ. into 50 Ohms; BNC Connector

[2] +5 dBm max., -5 dBm min., 50 Ohms; BNC Connector

[3] The trigger input can be driven from either 3.3V or 5V sources for direct interface with TTL signal levels; BNC Connector

Above data is typical performance at +25°C after 30 minutes of warm-up time unless otherwise stated.

HMC-T2240

SYNTHESIZED SIGNAL GENERATOR, 10 MHz to 40 GHz

v09.0714

HMC-T2240 Rear Panel I/O Connections



Connectivity & Control

Its compact size, light weight, fast switching speed and USB, GBIP and Ethernet control interfaces support the standard SCPI command set ensuring smooth integration within all test environments, particularly those associated with automated test. An installation disk that accompanies each unit includes all the drivers required to remotely control the device as well as a user friendly GUI interface (right) compatible with a Windows XP®, Windows Vista® or Windows 7® or operating system. User control is facilitated via pull down menus that allow programming of single or swept modes in frequency or power. Integration of multiple units within a production test environment is easy, and affordable.

Remote Interface

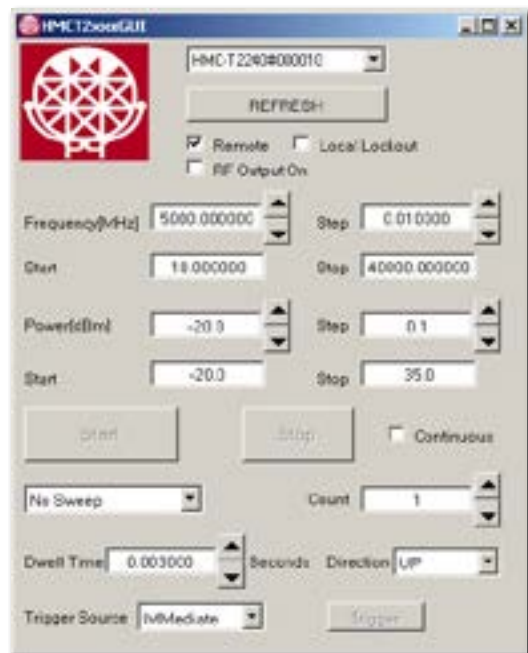
Hardware: USB (Windows XP®, Windows Vista®, Windows 7® Drivers Supplied), GPIB or Ethernet

Software: LabVIEW 2009 Driver

Frequency Switching Speed:
500 us Typ.

Local Interface

Front Panel Rotary Knob & Display



HMC-T2100 Compatibility

To facilitate integration into existing HMC-T2100 applications, the HMC-T2240 has a HMC-T2100 compatibility mode. In this mode, the HMC-T2240 identifies itself as a HMC-T2100 so that the HMC-T2100 USB drivers will work for a HMC-T2240, and programs which use the *IDN? string will recognize a HMC-T2240 as a HMC-T2100. Frequency resolution, maximum and minimum values for power, and minimum sweep dwell time also change to match the HMC-T2100.

Windows® - Windows XP®, Windows Vista® and Windows 7® are registered trademarks of Microsoft Corporation.



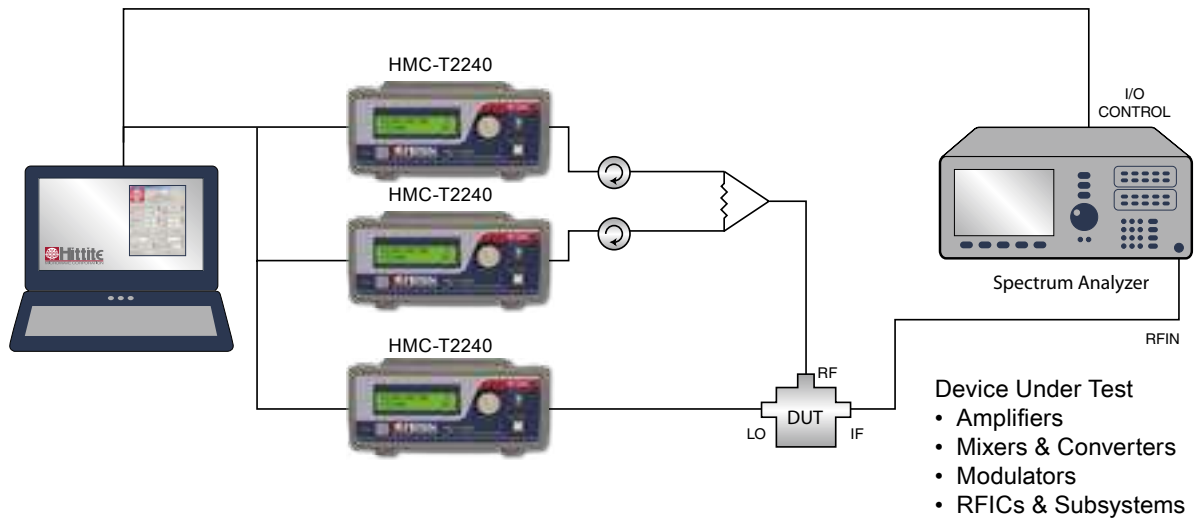
2 Elizabeth Drive • Chelmsford, MA 01824
Phone: 978-250-3343 Fax: 978-250-3373
Order Online at www.tm-hittite.com
Instrumentation Product Support at TE@hittite.com

HMC-T2240

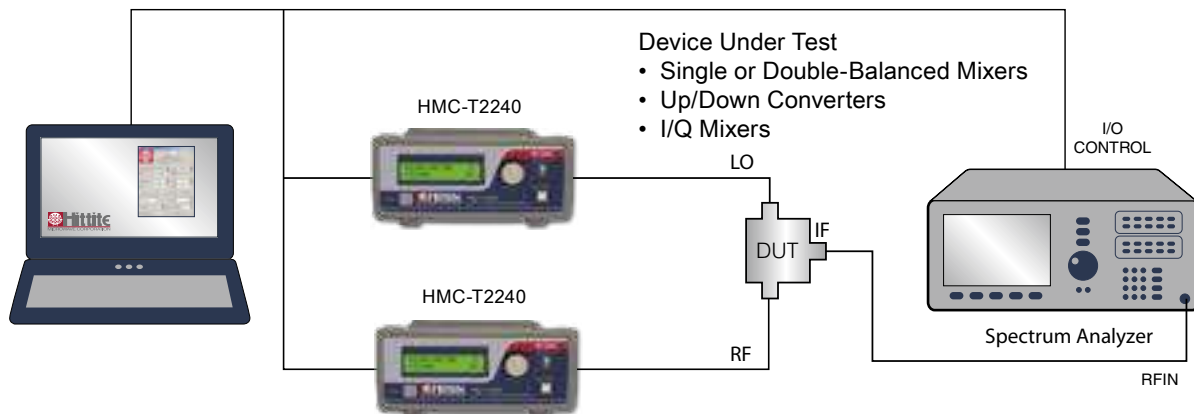
SYNTHESIZED SIGNAL GENERATOR, 10 MHz to 40 GHz

v09.0714

Two Tone Third Order Intercept Test Set-up



Efficient Mixer Conversion Loss, Isolation & MxN Spurious Test Set-up



HMC-T2240

SYNTHESIZED SIGNAL GENERATOR, 10 MHz to 40 GHz

v09.0714

HMC-T2240



Ordering Information

Model Number	Description	Price
HMC-T2240	Synthesized Signal Generator 10 MHz to 40 GHz	

Includes 100 - 240V AC Power Supply and one Power Cord at no cost. Please specify your preferred power cord part number at time of ordering. (see "Optional Power Cord" table)

Test Rack Mount Kit

Part Number	Description	Price
HMC-RM02	Dual Rack Mounting Plate 19" 2u Chassis	



Power Cord

Part Number	Region	
HMC-PC01	Continental Europe	
HMC-PC02	United Kingdom	
HMC-PC03	China	
HMC-PC04	Australia, New Zealand	
HMC-PC05	North America	
HMC-PC06	South Africa / India	
HMC-PC07	Switzerland	
HMC-PC08	Denmark	
HMC-PC09	Israel	
HMC-PC10	Italy	
HMC-PC11	Japan	

All pricing is in U.S. Dollars and is subject to change without notice.