



Chipsmall Limited consists of a professional team with an average of over 10 year of expertise in the distribution of electronic components. Based in Hongkong, we have already established firm and mutual-benefit business relationships with customers from,Europe,America and south Asia,supplying obsolete and hard-to-find components to meet their specific needs.

With the principle of “Quality Parts,Customers Priority,Honest Operation,and Considerate Service”,our business mainly focus on the distribution of electronic components. Line cards we deal with include Microchip,ALPS,ROHM,Xilinx,Pulse,ON,Everlight and Freescale. Main products comprise IC,Modules,Potentiometer,IC Socket,Relay,Connector.Our parts cover such applications as commercial,industrial, and automotives areas.

We are looking forward to setting up business relationship with you and hope to provide you with the best service and solution. Let us make a better world for our industry!



Contact us

Tel: +86-755-8981 8866 Fax: +86-755-8427 6832

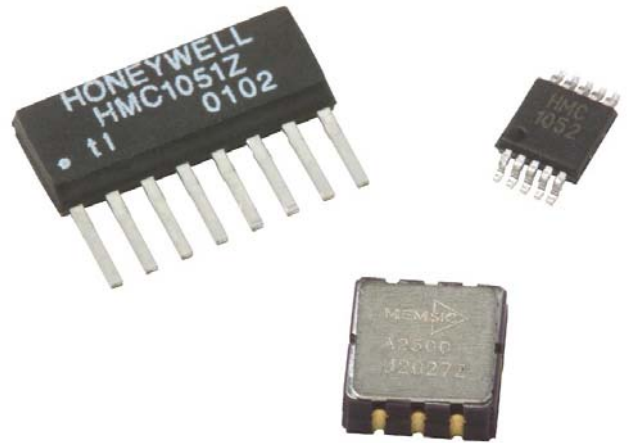
Email & Skype: info@chipsmall.com Web: www.chipsmall.com

Address: A1208, Overseas Decoration Building, #122 Zhenhua RD., Futian, Shenzhen, China



3-Axis Compass Sensor Set HMC1055

The Honeywell HMC1055 is a 3-axis compass sensor chipset that combines the HMC1051Z single-axis and the HMC1052 two-axis magneto-resistive sensors, plus a two-axis MEMSIC MXS3334UL accelerometer in a single kit. By combining these three sensor packages, OEM compass system designers will have the building blocks needed to create their own tilt compensated compass designs using these proven components.



The HMC1055 chip set includes the three sensor integrated circuits and this datasheet describes the application notes for sensor function, a reference design, and design tips for integrating the compass feature into other product platforms. Honeywell's Magneto-resistive (AMR) sensor technology provides advantages over coil based magnetic sensors and are among the most sensitive and reliable low-field sensors in the industry. The MEMSIC accelerometer offers a low cost, high performance tilt sensor (inclinometer) function using its unique thermal chimney effect.

Honeywell continues to maintain product excellence and performance by introducing innovative solid-state magnetic sensor solutions. These are highly reliable, top performance products that are delivered when promised. Honeywell's magnetic sensor solutions provide real solutions you can count on.

FEATURES

- ▶ Three Precision Sensor Components
- ▶ Single Z-Axis AMR Sensor (HMC1051Z)
- ▶ Two-Axis AMR Sensor (HMC1052)
- ▶ Two-Axis MEMS Accelerometer (MXS3334UL)
- ▶ Low Cost Chipset
- ▶ Reference Design Included
- ▶ Available in Tape & Reel Packaging

BENEFITS

- ▶ An Easy Way to Acquire the Critical Tilt Compensated Compass Sensors in One Purchase
- ▶ Easy to Assemble Component
- ▶ Leaded MSOP-10 Package for Small Size
- ▶ Low Cost, High Performance Tilt Sensor
- ▶ Affordable Chipset for Designers, Low Volume Designs
- ▶ Aimed for Moderate Accuracy Compassing
- ▶ Easy Transition to Production

HMC1055

SPECIFICATIONS – MAGNETIC SENSORS HMC1051Z, HMC1052

Characteristics	Conditions*	Min	Typ	Max	Units
-----------------	-------------	-----	-----	-----	-------

Bridge Elements

Supply	Vbridge referenced to GND	1.8	2.5	20	Volts
Resistance	Bridge current = 1mA	800	1000	1500	ohms
Field Range	Full scale (FS) – total applied field	-6		+6	gauss
Sensitivity	Set/Reset Current = 0.5A	0.8	1.0	1.2	mV/V/gauss
Bridge Offset	Offset = (OUT+) – (OUT-) Field = 0 gauss after Set pulse	-1.25	±0.5	+1.25	mV/V
Bandwidth	Magnetic signal (lower limit = DC)		5		MHz
Noise Density	@ 1kHz, Vbridge=5V		50		nV/sqrt Hz
Resolution	50Hz Bandwidth, Vbridge=5V		120		µgauss
Disturbing Field	Sensitivity starts to degrade. Use S/R pulse to restore sensitivity.	20			gauss
Max. Exposed Field	No perming effect on zero reading			10000	gauss
Operating Temperature	Ambient	-40		125	°C
Storage Temperature	Ambient, unbiased	-55		150	°C
Sensitivity Tempco	T _A =-40 to 125°C, Vbridge=5V T _A =-40 to 125°C, Ibridge=5mA	-3000	-2700 -600	-2400	ppm/°C
Bridge Offset Tempco	T _A =-40 to 125°C, No Set/Reset T _A =-40 to 125°C, With Set/Reset		±500 ±10		ppm/°C
Bridge Ohmic Tempco	Vbridge=5V, T _A =-40 to 125°C	2100	2500	2900	ppm/°C
Sensitivity Ratio of X,Y Sensors	T _A =-40 to 125°C (HMC1052 Only)	95	101	105	%
X,Y sensor Orthogonality	Sensitive direction in X and Y sensors (HMC1052)			0.01	degree
Linearity Error	Best fit straight line ± 1 gauss ± 3 gauss ± 6 gauss		0.1 0.5 1.8		%FS
Hysteresis Error	3 sweeps across ±3 gauss		0.06		%FS
Repeatability Error	3 sweeps across ±3 gauss		0.1		%FS

Set/Reset Strap

Resistance	Measured from S/R+ to S/R-	3	4	5	ohms
Current	0.1% duty cycle, or less, 2µsec current pulse	0.4	0.5	4	Amp
Resistance Tempco	T _A = -40 to 125°C		3700		ppm/°C

Offset Straps *(available on die)*

Resistance	Measured from OFFSET+ to OFFSET-	12	15	18	ohms
Offset Constant	DC Current Field applied in sensitive direction		10		mA/gauss
Resistance Tempco	T _A = -40 to 125°C		3900		ppm/°C

* Tested at 25°C except stated otherwise.

HMC1055

SPECIFICATIONS – ACCELEROMETER MXS3334UL

Characteristics	Conditions*	Min	Typ	Max	Units
-----------------	-------------	-----	-----	-----	-------

Sensor Input

Range		±1			g
Non-Linearity	Best fit straight line		0.5	1.0	% of FS
Alignment Error			±1.0		degree
Transverse Sensitivity			±2.0		%

Sensitivity (Each Axis)

Digital Outputs	Vdd = 5.0 volts	19.00	20.00	21.00	%DutyCycle/g
Change Over Temperature	-40°C, Uncompensated +105°C, Uncompensated Compensated (-40°C to +105°C) Δ from 25°C	-50	< 3.0	+100	%
Resistance	T _A = -40 to 125°C		3900		ppm/°C

Zero g Bias Level (Each Axis)

0 g Offset		-0.1	0.00	+0.1	g
0 g Duty Cycle		48	50	52	% Duty Cycle
0 g Offset Over Temperature	Δ from 25°C Δ from 25°C, based on 20%/g		±0.75 ±0.015		mg/°C %/°C

Performance

Noise Density	rms		0.2	0.4	mg/sqrt-Hz
Frequency Response	3dB Bandwidth		25		Hz

Voltage Reference

Vref	Vdd = 2.7 to 5.0	2.4	2.5	2.65	volts
Change Over Temperature			0.1		mV/°C
Current Drive Capability	Source			100	μA

Self Test

Continuous Voltage Under Failure	Vdd = 5.0 volts, D _{OUTX} and D _{OUTY} Vdd = 2.7 volts, D _{OUTX} and D _{OUTY}		5.0 2.7		volts
----------------------------------	--	--	------------	--	-------

Digital Outputs (D_{OUTX} and D_{OUTY})

Normal Range	Vdd = 5.00 volts Vdd = 2.7 volts	0.1 0.1		4.9 2.6	volts
Current	Source or Sink (Vdd = 2.7 to 5.0v)		100		μA
Rise/Fall Time	Vdd = 2.7 to 5.0 volts	90	100	110	ηsec
Turn-On Time	Vdd = 5.0 volts Vdd = 2.7 volts		100 40		msec

Power Supply

Operating Voltage Range		2.7		5.25	volts
Supply Current	Vdd = 5.0 volts Vdd = 2.7 volts	3.0 4.0	3.6 4.9	4.2 5.8	mA

Temperature

Operating Range		-40		+105	°C
Storage Range		-65		+150	°C

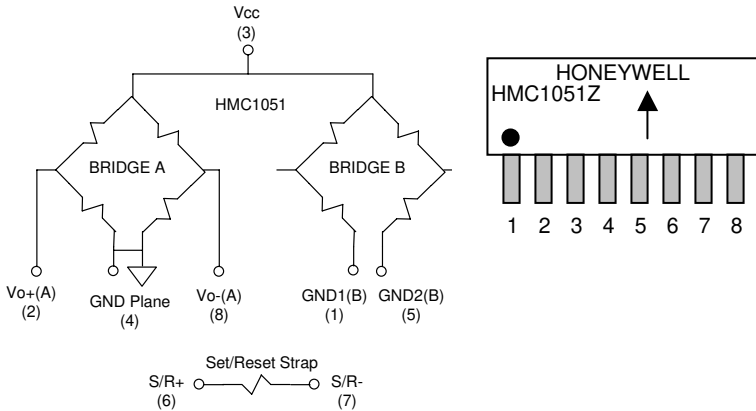
*Tested at 25°C except stated otherwise.

HMC1055

PIN CONFIGURATIONS & DESCRIPTIONS

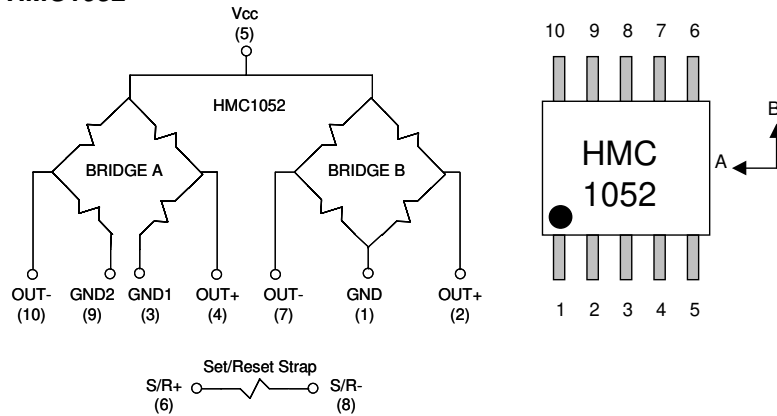
(Arrow indicates direction of applied field that generates a positive output voltage after a SET pulse.)

HMC1051Z



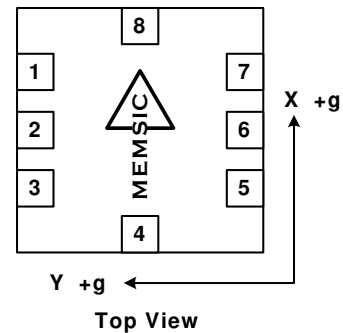
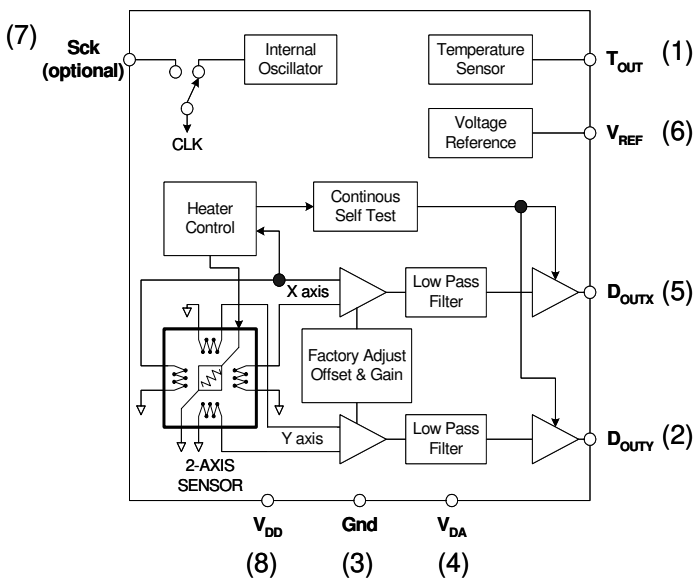
Pin	Name	Description
1	GND1(B)	Bridge B Ground 1 (normally left open)
2	Vo+(A)	Bridge Output Positive
3	Vcc	Bridge Positive Supply
4	GND Plane	Bridge Ground (substrate)
5	GND2(B)	Bridge B Ground 2 (normally left open)
6	S/R+	Set/Reset Strap Positive
7	S/R-	Set/Reset Strap Negative
8	Vo-(A)	Bridge Output Negative

HMC1052



Pin	Name	Description
1	GND	Bridge B Ground
2	OUT+	Bridge B Output Positive
3	GND1	Bridge A Ground 1
4	OUT+	Bridge B Output Positive
5	Vcc	Bridge Positive Supply
6	S/R+	Set/Reset Strap Positive
7	OUT-	Bridge B Output Negative
8	S/R-	Set/Reset Strap Negative
9	GND2	Bridge A Ground 2
10	OUT-	Bridge A Output Negative

MXS3334UL

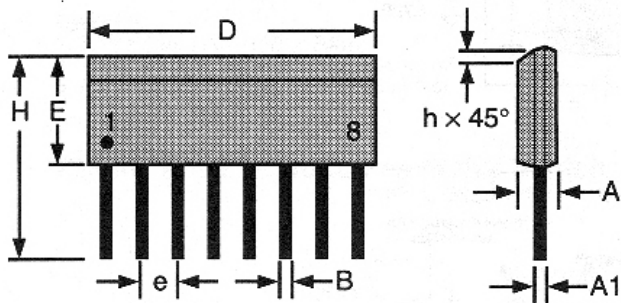


Pin	Name	Description
1	T _{OUT}	Temperature (Analog Voltage)
2	D _{OUTY}	Y-Axis Acceleration Digital Signal
3	Gnd	Ground
4	V _{DA}	Analog Supply Voltage
5	D _{OUTX}	X-Axis Acceleration Digital Signal
6	V _{ref}	2.5V Reference
7	Sck	Optional External Clock
8	V _{DD}	Digital Supply Voltage

HMC1055

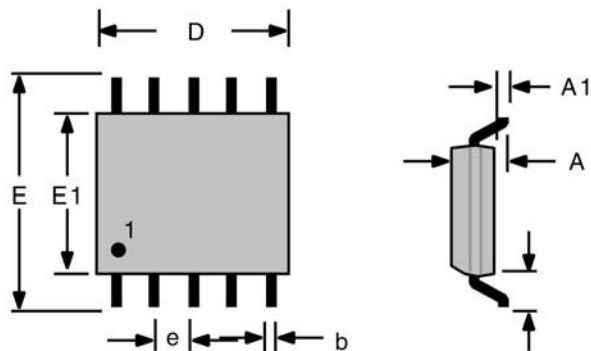
PACKAGE DIMENSIONS

HMC1051Z



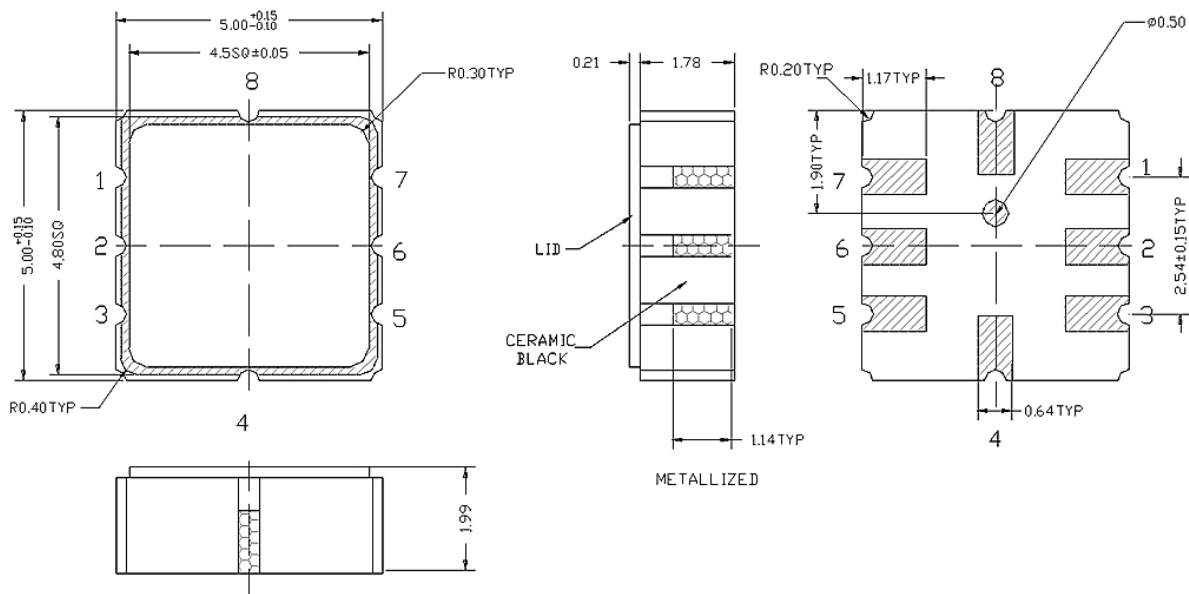
Symbol	Millimeters		Inches x 10E-3	
	Min	Max	Min	Max
A	1.371	1.728	54	68
A1	0.101	0.249	4	10
B	0.355	0.483	14	19
D	9.829	11.253	387	443
E	3.810	3.988	150	157
e	1.270 ref		50 ref	
H	6.850	7.300	270	287
h	0.381	0.762	15	30

HMC1052



Symbol	Millimeters		Inches x 10E-3	
	Min	Max	Min	Max
A	-	1.10	-	43
A1	0.05	0.15	2.0	5.9
B	0.15	0.30	5.9	11.8
D	2.90	3.10	114	122
E1	2.90	3.10	114	122
e	0.50 BSC		2.0 BSC	
E	4.75	5.05	187	199
L1	0.95 BSC		37.4	

MXS3334UL



APPLICATION NOTES

The HMC1055 Chipset is composed of three sensors packaged as integrated circuits for tilt compensated electronic compass development. These three sensors are composed of a Honeywell HMC1052 two-axis magnetic field sensor, a Honeywell HMC1051Z one-axis magnetic sensor, and the Memsic MXS3334UL two-axis accelerometer. Traditionally, compassing is done with a two-axis magnetic sensor held level (perpendicular to the gravitational axis) to sense the horizontal vector components of the earth's magnetic field from the south pole to the north pole. By incorporating a third

HMC1055

axis magnetic sensor and the two-axis accelerometer to measure pitch and roll (tilt), the compass is able to be electronically “gimbaled” and can point to the north pole regardless of level.

The HMC1052 two-axis magnetic sensor contains two Anisotropic Magneto-Resistive (AMR) sensor elements in a single MSOP-10 package. Each element is a full wheatstone bridge sensor that varies the resistance of the bridge magneto-resistors in proportion to the vector magnetic field component on its sensitive axis. The two bridges on the HMC1052 are orientated orthogonal to each other so that a two-dimensional representation of a magnetic field can be measured. The bridges have a common positive bridge power supply connection (Vb); and with all the bridge ground connections tied together, form the complete two-axis magnetic sensor. Each bridge has about an 1100-ohm load resistance, so each bridge will draw several milli-amperes of current from typical digital power supplies. The bridge output pins will present a differential output voltage in proportion to the exposed magnetic field strength and the amount of voltage supply across the bridge. Because the total earth’s magnetic field strength is very small (~0.6 gauss), each bridge’s vector component of the earth’s field will even be smaller and yield only a couple milli-volts with nominal bridge supply values. An instrumentation amplifier circuit; to interface with the differential bridge outputs, and to amplify the sensor signal by hundreds of times, will then follow each bridge voltage output.

The HMC1051Z is an additional magnetic sensor in an 8-pin SIP package to place the sensor silicon die in a vertical orientation relative to a Printed Circuit Board (PCB) position. By having the HMC1052 placed flat (horizontal) on the PCB and the HMC1051Z vertical, all three vector components of the earth’s magnetic field (X, Y, and Z) are sensed. By having the Z-axis component of the field, the electronic compass can be oriented arbitrarily; and with a tilt sensor, perform tilt-compensated compass heading measurements as if the PCB were perfectly level.

The MXS3334UL is a two-axis accelerometer in an 8-pin LCC package that provides a digital representation of the earth’s gravitational field. When the MXS3334UL is held level and placed horizontally on a PCB, both digital outputs provide a 100 Hz Pulse Width Modulated (PWM) square wave with a 50 percent duty cycle. As the accelerometer is pitched or rolled from horizontal to vertical, the Doutx and Douty duty cycles will shift plus or minus 20% of its duty from the 50% center point.

The reference design in Figure 1 shows a reference design incorporating all three sensor elements of the HMC1055 chipset for a tilt compensated electronic compass operating from a 5.0 volt regulated power supply described as Vdd. The HMC1052 sensor bridge elements A and B are called out as R1A, R2A, R3A, R4A, and R1B, R2B, R3B, R4B respectively; and create a voltage dividing networks that place nominally 2.5 volts into the succeeding amplifier stages. The HMC1051Z sensor bridge elements R14Z, R15Z, R16Z, and R17Z also do a similar voltage dividing method to its amplifier stage.

In this design each amplifier stage uses a single operational amplifier (op-amp) from a common LMV324M quad op-amp Integrated Circuit (IC). For example, resistors R1, R2, R3, and R4 plus capacitor C1 configure op-amp X1 into an instrumentation amplifier with a voltage gain of about 200. These instrumentation amplifier circuits take the voltage differences in the sensor bridges, and amplify the signals for presentation at the micro-controller Analog to Digital Converter (ADC) inputs, denoted as AN1, AN2, and AN3. Because the zero magnetic field reference level is at 2.5 volts, each instrumentation amplifier circuit receives a 2.5 volt reference voltage (Vref) from a resistor divider circuit composed of R12 and R13.

For example, a +500 milli-gauss earth’s field on bridge A of the HMC1052 will create a 2.5 milli-volt difference voltage at the sensor bridge output pins (0.5 gauss multiplied by the 1.0mV/V/gauss sensitivity rating). This 2.5mV then is multiplied by 200 for 0.5 volt offset that is referenced to the 2.5 volt Vref for a total of +3.0 volts at AN1. Likewise any positive and or negative magnetic field vectors from bridge B and the HMC1051Z bridge are converted to voltage representations at AN2 and AN3.

The micro-controller also receives the sensor inputs from the MXS3334UL accelerometer directly from Doutx and Douty into two digital inputs denoted as DI0 and DI1. Optionally, the MXS3334UL temperature output pin (Tout) can be routed to another microcontroller ADC input for further temperature compensation of sensor inputs. Power is supplied to the MXS3334UL from the 5.0 volt Vdd source directly to the accelerometer VDA pin and on to the VDD pin via a ten ohm resistor (R10) for modest digital noise decoupling. Capacitors C6 and C7 provide noise filtering locally at the accelerometer and throughout the compass circuit.

The set/reset circuit for this electronic compass is composed of MOSFETs X4 and X5, capacitors C3 and C4, and resistor R9. The purpose of the set/reset circuit is to re-align the magnetic moments in the magnetic sensor bridges when they are exposed to intense magnetic fields such as speaker magnets, magnetized hand tools, or high current conductors such as

HMC1055

welding cables or power service feeders. The set/reset circuit is toggled by the microcontroller and each logic state transition creates a high current pulse in the set/reset straps for both HMC1052 and the HMC1051Z.

3-AXIS COMPASS REFERENCE DESIGN

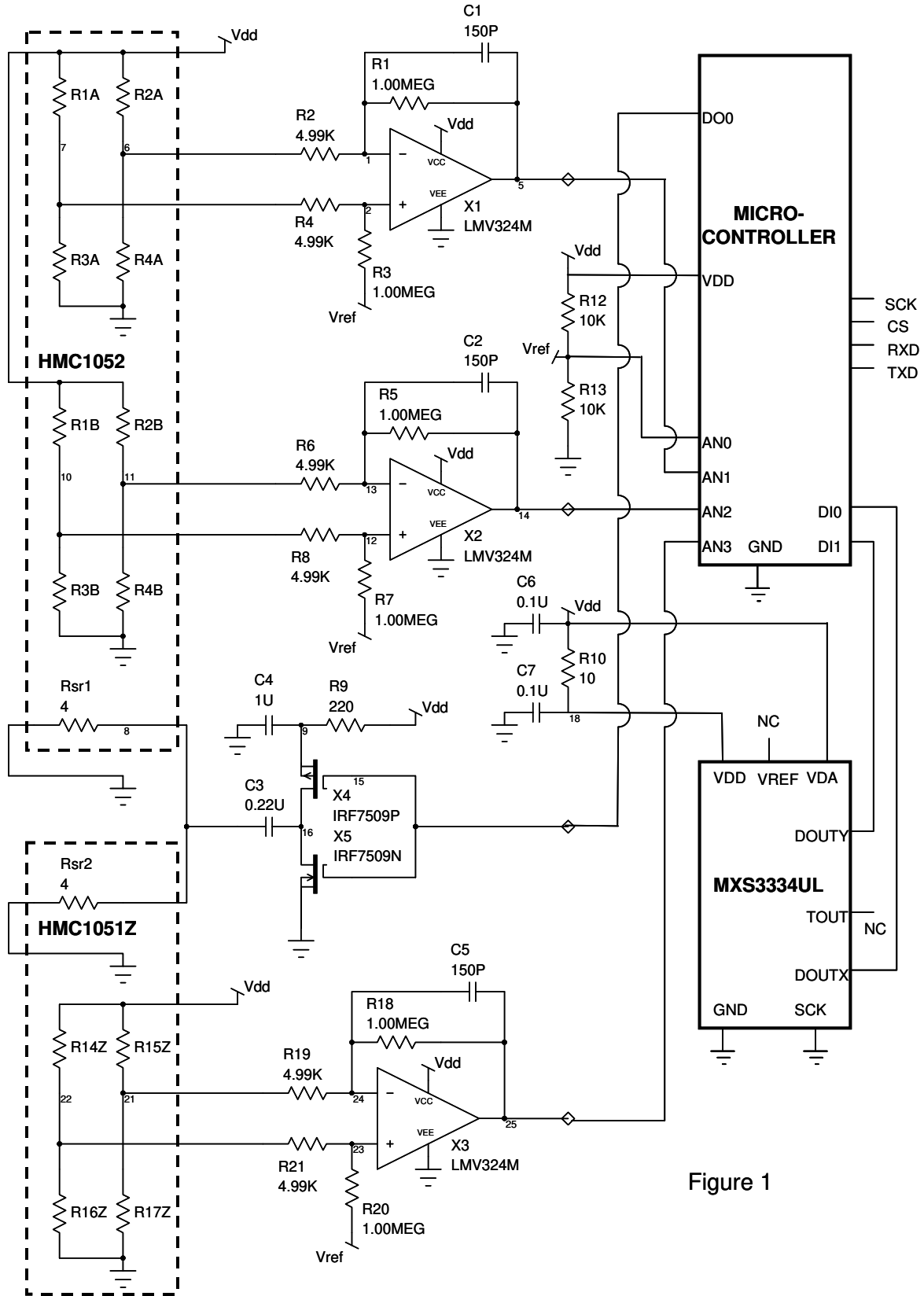


Figure 1

HMC1055

OPERATIONAL DETAILS

With the compass circuitry fully powered up, sensor bridge A creates a voltage difference across OUTA- and OUTA+ that is then amplified 200 times and presented to microcontroller analog input AN1. Similarly, bridges B and C create a voltage difference that is amplified 200 times and presented to microcontroller analog inputs AN2 and AN3. These analog voltages at AN1 and AN2 can be thought of as “X” and “Y” vector representations of the magnetic field. The third analog voltage (AN3) plus the tilt information from accelerometer, is added to the X and Y values to create tilt compensated X and Y values, sometimes designated X' and Y'.

To get these X, Y, and Z values extracted, the voltages at AN1 through AN3 are to be digitized by the microcontroller's onboard Analog-to-Digital Converter (ADC). Depending on the resolution of the ADC, the resolution of the Compass is set. Typically compasses with one degree increment displays will have 10-bit or greater ADCs, with 8-bit ADCs more appropriate for basic 8-cardinal point (North, South, East, West, and the diagonal points) compassing. Individual microcontroller choices have a great amount of differing ADC implementations, and there may be instances where the ADC reference voltage and the compass reference voltage can be shared. The point to remember is that the analog voltage outputs are referenced to half the supplied bridge voltage and amplified with a similar reference.

The most often asked question on AMR compass circuits is how frequent the set/reset strap must be pulsed. The answer for most low cost compasses is fairly infrequently; from a range of once per second, to once per compass menu selection by the user. While the set circuit draws little energy on a per pulse basis, a constant one pulse per second rate could draw down a fresh watch battery in less than a year. In the other extreme of one “set” pulse upon the user manually requesting a compass heading, negligible battery life impact could be expected. From a common sense standpoint, the set pulse interval should be chosen as the shortest time a user could withstand an inaccurate compass heading after exposing the compass circuit to nearby large magnetic sources. Typical automatic set intervals for low cost compasses could be once per 10 seconds to one per hour depending on battery energy capacity. Provision for a user commanded “set” function may be a handy alternative to periodic or automatic set routines.

In portable consumer electronic applications like compass-watches, PDAs, and wireless phones; choosing the appropriate compass heading data flow has a large impact on circuit energy consumption. For example, a one heading per second update rate on a sport watch could permit the compass circuit to remain off to nearly 99 percent of the life of the watch, with just 10 millisecond measurement snapshots per second and a one per minute set pulses for perming correction. The HMC1052 and HMC1051Z sensors have a 5 MHz bandwidth in magnetic field sensing, so the minimum snapshot measurement time is derived principally by the settling time of the op-amps plus the sample-and-hold time of the microcontroller's ADCs.

In some “gaming” applications in wireless phones and PDAs, more frequent heading updates permits virtual reality sensor inputs for software reaction. Typically these update rates follow the precedent set more than a century ago by the motion picture industry (“Movies”) at 20 updates or more per second. While there is still some value in creating off periods in between these frequent updates, some users may choose to only switch power on the sensor bridges exclusively and optimize the remainder of the circuitry for low power consumption.

COMPASS FIRMWARE DEVELOPMENT

To implement an electronic compass with tilt compensation, the microcontroller firmware must be developed to gather the sensor inputs and to interpret them into meaningful data to the end user system. Typically the firmware can be broken into logical routines such as initialization, sensor output collection and raw data manipulation, heading computation, calibration routines, and output formatting.

For the sensor output data collection, the analog voltages at microcontroller inputs AN0 through AN3 are digitized and a “count” number representing the measured voltage is the result. For compassing, the absolute meaning of the ADC counts scaled back to the sensor's milli-gauss measurement is not necessary, however it is important to reference the zero-gauss ADC count level. For example, an 8-bit ADC has 512 counts (0 to 511 binary), then count 255 would be the zero offset and zero-gauss value.

In reality errors will creep in due to the tolerances of the sensor bridge (bridge offset voltage), multiplied by the amplifier gain stages plus any offset errors the amplifiers contribute; and magnetic errors from hard iron effects (nearby magnetized materials). Usually a factory or user calibration routine in a clean magnetic environment will obtain a correction value of counts from mid ADC scale. Further tweaking of the correction value for each magnetic sensor axis once the compass assembly is in its final user location, is highly desired to remove the magnetic environment offsets.

HMC1055

For example, the result of measuring AN0 (Vref) is about count 255, and the measuring of AN1, AN2, and AN3 results in 331, 262, and 205 counts respectively. Next calibration values of 31, -5, and 20 counts would be subtracted to result in corrected values of 301, 267, and 205 respectively. If the pitch and roll were known to be zero; then the AN3 (Z-axis output) value could be ignored and the tilt corrected X and Y-axis values would be the corrected values of AN1 and AN2 minus the voltage reference value of AN0. Doing the math yields $\arctan [y/x]$ or $\arctan [(267-255)/(301-255)]$ or 14.6 degrees east of magnetic north.

HEADING COMPUTATION

Once the magnetic sensor axis outputs are gathered and the calibration corrections subtracted, the next step toward heading computation is to gather the pitch and roll (tilt) data from the MEMSIC MXS3334UL accelerometer outputs. The MXS3334UL in perfectly horizontal (zero tilt) condition produces a 100Hz, 50 percent duty cycle Pulse Width Modulated (PWM) digital waveform from its Doutx and Douty pins corresponding to the X and Y sensitive axis. These output pins will change their duty cycle from 30% to 70% when tilted fully in each axis ($\pm 1g$). The scaling of the PWM outputs is strictly gravitational, so that a 45 degree tilt results in 707 milli-g's or a slew of $\pm 14.1\%$ from the 50% center point duty cycle.

With the MXS3334UL's positive X-axis direction oriented towards the front of the user's platform, a pitch downward will result in a reduced PWM duty cycle, with a pitch upward increasing in duty cycle. Likewise, the Y-axis arrow is 90 degrees counter-clockwise which results in a roll left corresponding to a decreasing duty cycle, and roll right to an increasing duty cycle.

Measuring the pitch and roll data for a microcontroller is reasonably simple in that the Doutx and Douty logic signals can be sent to microcontroller digital input pins for duty cycle measurement. At firmware development or factory calibration, the total microcontroller clock cycles between Doutx or Douty rising edges should be accrued using an interrupt or watchdog timer feature to scale the 100Hz (10 millisecond) edges. Then measuring the Doutx and Douty falling edges from the rising edge (duty cycle computation) should be a process of clock cycle counting. For example, a 1MHz clocked microcontroller should count about 10,000 cycles per rising edge, and 5,000 cycle counts from rising to falling edge would represent a 50% duty cycle or zero degree pitch or roll.

Once the duty cycle is measured for each axis output and mathematically converted to a gravitational value, these values can be compared to a memory mapped table, if the user desires the true pitch and roll angles. For example, if the pitch and roll data is to be known in one degree increments, a 91-point map can be created to match up gravitational values (sign independent) with corresponding degree indications. Because tilt-compensated compassing requires sine and cosine of the pitch and roll angles, the gravitational data is already formatted between zero and one and does not require further memory maps of trigonometric functions. The gravity angles for pitch and roll already fit the sine of the angles, and the cosines are just one minus the sine values ($\cosine = 1 - \text{sine}$).

The equations:

$$X' = X * \cos(\phi) + Y * \sin(\theta) * \sin(\phi) - Z * \cos(\theta) * \sin(\phi)$$

$$Y' = Y * \cos(\theta) + Z * \sin(\theta)$$

Create tilt compensated X and Y magnetic vectors (X', Y') from the raw X, Y, and Z magnetic sensor inputs plus the pitch (ϕ) and roll (θ) angles. Once X' and Y' are computed, the compass heading can be computed by equation:

$$\text{Azimuth (Heading)} = \arctan (Y' / X')$$

To perform the arc-tangent trigonometric function, a memory map needs to be implemented. Thankfully the pattern repeats in each 90° quadrant, so with a one-degree compass resolution requirement, 90 mapped quotients of the arc-tangent function can be used. If 0.1° resolution is needed then 900 locations are needed and only 180 locations with 0.5° resolution. Also, special case quotient detections are needed for the zero and infinity situations at 0°, 90°, 180°, and 270° prior to the quotient computation.

After the heading is computed, two heading correction factors may be added to handle declination angle and platform angle error. Declination angle is the difference between the magnetic north pole and the geometric north pole, and varies depending on the latitude and longitude (global location) of the user compass platform. If you have access to Global Positioning Satellite (GPS) information resulting in a latitude and longitude computation, then the declination angle can be

HMC1055

computed or memory mapped for heading correction. Platform angle error may occur if the sensors are not aligned perfectly with the mechanical characteristics of the user platform. These angular errors can be inserted in firmware development and or in factory calibration.

COMPASS CALIBRATION

In the paragraphs describing raw magnetic sensor data, the count values of X, Y, and Z are found from inputs AN0 to AN3. A firmware calibration routine will create Xoff, Yoff and Xsf, and Ysf for calibration factors for “hard-iron” distortions of the earth’s magnetic field at the sensors. Typically these distortions come from nearby magnetized components. Soft-iron distortions are more complex to factor out of heading values and are generally left out for low cost compassing applications. Soft-iron distortion arises from magnetic fields bent by un-magnetized ferrous materials either very close to the sensors or large in size. Locating the compass away from ferrous materials provides the best error reduction. The amount of benefit is dependant on the amount of ferrous material and its proximity to the compass platform.

To derive the calibration factors, the sensor assembly (platform) and its affixed end-platform (e.g. watch/human, boat, auto, etc.) are turned at least one complete rotation as the compass electronics collects many continuous readings. The speed and rate of turn are based on how quickly the microcontroller can collect and process X, Y, and Z data during the calibration routine. A good rule of thumb is to collect readings every few degrees by either asking the user to make a couple rotations or by keeping in the rotation(s) slow enough to collect readings of the correct rate of turn.

The Xh and Yh readings during calibration are done with Xoff and Yoff at zero values, and axis scale factors (Xsf and Ysf) at unity values. The collected calibration X and Y values are then tabulated to find the min and max of both X and Y. At the end of the calibration session, the Xmax, Ymax, Xmin, and Ymin values are converted to the following:

$$Xsf = 1 \text{ or } (Y_{\max} - Y_{\min}) / (X_{\max} - X_{\min}) , \text{ whichever is greater}$$

$$Ysf = 1 \text{ or } (X_{\max} - X_{\min}) / (Y_{\max} - Y_{\min}) , \text{ whichever is greater}$$

$$Xoff = [(X_{\max} - X_{\min})/2 - X_{\max}] * Xsf$$

$$Yoff = [(Y_{\max} - Y_{\min})/2 - Y_{\max}] * Ysf$$

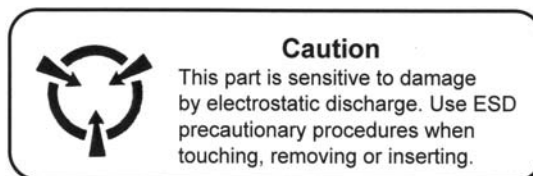
Z-axis data is generally not corrected if the end-platform can not turned upside-down. In portable or hand-held applications, then the compass assembly can be tipped upside down and Zoff can be computed like Xoff and Yoff, but with only two reference points (upright and upside down). Factory values for Zoff maybe the only values possible. Creating corrected X, Y, and Z count values are done as previously mentioned by subtracting the offsets. The scale factor values are used only after the Vref counts are subtracted from the offset corrected axis counts. For more details on calibration for iron effects, see the white paper “Applications of Magnetoresistive Sensors in Navigation Systems” located on the magneticsensors.com website.

Offsets due to sensor bridge offset voltage of each sensor axis are part of the Xoff, Yoff, and Zoff computation. These offsets are present even with no magnetic field disturbances. To find their true values, the set and reset drive circuits can be toggled while taking measurements shortly after each transition. After a reset pulse, the magnetic field portion of the sensor bridge will have flipped polarity while the offset remains the same. Thus two measurements, after a reset and a set pulse can be summed together. The magnetic portions of the sum will cancel, leaving just a double value of the offset. The result can then be divide by two to derive the bridge offset.

The reason for knowing the bridge offset, is that the offset will drift with temperature. Should the user desire the best accuracy in heading, a new calibration should be performed with each encounter with a new temperature environment. See application notes AN-212, AN-213, and AN-214 for further compass design considerations.

ORDERING INFORMATION

Ordering Number	Product
HMC1055	3-Axis Compass Sensor Set



CAUTION: ESDS CAT. 1B

HMC1055

FIND OUT MORE

For more information on Honeywell's Magnetic Sensors visit us online at www.magneticsensors.com or contact us at 800-323-8295 (763-954-2474 internationally).

The application circuits herein constitute typical usage and interface of Honeywell product. Honeywell does not warranty or assume liability of customer-designed circuits derived from this description or depiction.

Honeywell reserves the right to make changes to improve reliability, function or design. Honeywell does not assume any liability arising out of the application or use of any product or circuit described herein; neither does it convey any license under its patent rights nor the rights of others.

U.S. Patents 4,441,072, 4,533,872, 4,569,742, 4,681,812, 4,847,584 and 6,529,114 apply to the technology described