



Chipsmall Limited consists of a professional team with an average of over 10 year of expertise in the distribution of electronic components. Based in Hongkong, we have already established firm and mutual-benefit business relationships with customers from,Europe,America and south Asia,supplying obsolete and hard-to-find components to meet their specific needs.

With the principle of “Quality Parts,Customers Priority,Honest Operation,and Considerate Service”,our business mainly focus on the distribution of electronic components. Line cards we deal with include Microchip,ALPS,ROHM,Xilinx,Pulse,ON,Everlight and Freescale. Main products comprise IC,Modules,Potentiometer,IC Socket,Relay,Connector.Our parts cover such applications as commercial,industrial, and automotives areas.

We are looking forward to setting up business relationship with you and hope to provide you with the best service and solution. Let us make a better world for our industry!



Contact us

Tel: +86-755-8981 8866 Fax: +86-755-8427 6832

Email & Skype: info@chipsmall.com Web: www.chipsmall.com

Address: A1208, Overseas Decoration Building, #122 Zhenhua RD., Futian, Shenzhen, China





GaAs MMIC SP4T NON-REFLECTIVE SWITCH, DC - 20 GHz

Typical Applications

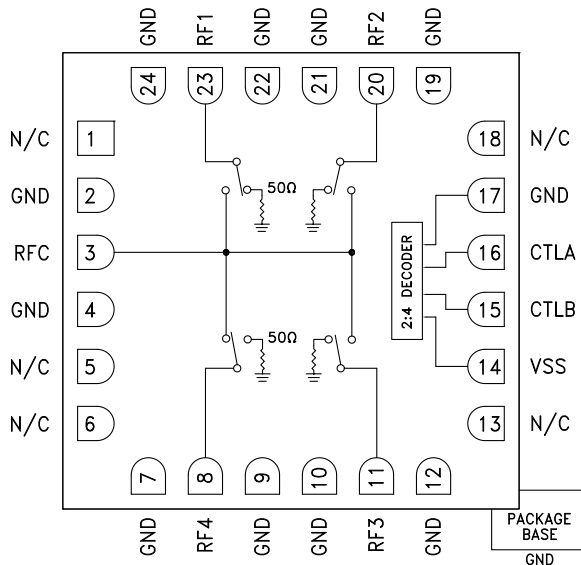
The HMC641LC4 is ideal for:

- Telecom Infrastructure
- Microwave Radio & VSAT
- Military & Space Hybrids
- Test Instrumentation
- SATCOM & Sensors

Features

- Broadband Performance: DC - 20 GHz
- High Isolation: 42 dB @ 12 GHz
- Low Insertion Loss: 2.1 dB @ 12 GHz
- Integrated 2:4 TTL Decoder
- 24 Lead 4x4mm SMT Package: 16mm²

Functional Diagram



General Description

The HMC641LC4 is a broadband non-reflective GaAs pHEMT SP4T switch in a compact 4x4 mm ceramic package. Covering DC to 20 GHz, this switch offers high isolation, low insertion loss and on-chip termination of isolated ports. This switch also includes an on board binary decoder circuit which reduces the number of required logic control lines from four to two. The HMC641LC4 is controlled with 0/ -5V logic, exhibits fast switching speed and consumes much less DC current than pin diode based solutions. The HMC641LC4 is also available in die form as the HMC641.

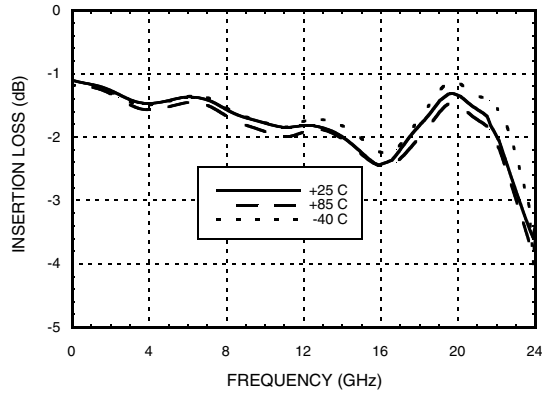
Electrical Specifications, $T_A = +25^\circ\text{C}$, With 0/-5V Control, $V_{SS} = -5\text{V}$, 50 Ohm System

| Parameter | Frequency | Min. | Typ. | Max. | Units |
|--|-----------------|----------------------------------|------|------|-------|
| Insertion Loss | DC - 12 GHz | | 1.6 | 2.8 | dB |
| | DC - 20 GHz | | 2.3 | 3.5 | dB |
| Isolation (RFC to RF1 - RF4) | DC - 12 GHz | 30 | 42 | | dB |
| | DC - 20 GHz | 30 | 40 | | dB |
| Return Loss | "On State" | DC - 12 GHz | 18 | | dB |
| | | DC - 20 GHz | 17 | | dB |
| Return Loss | "Off State" | DC - 20 GHz | 13 | | dB |
| Input Power for 1 dB Compression | 0.05 - 0.25 GHz | 10 | 15 | | dBm |
| | 0.25 - 20 GHz | 20 | 23 | | dBm |
| Input Third Order Intercept (Two-Tone Input Power= +14 dBm Each Tone) | 0.05 - 0.25 GHz | | 30 | | dBm |
| | 0.25 - 20 GHz | | 39 | | dBm |
| Switching Characteristics | DC - 20 GHz | tRISE, tFALL (10/90% RF) | 15 | | ns |
| | | tON, tOFF (50% CTL to 10/90% RF) | 88 | | ns |
| | | | | | |

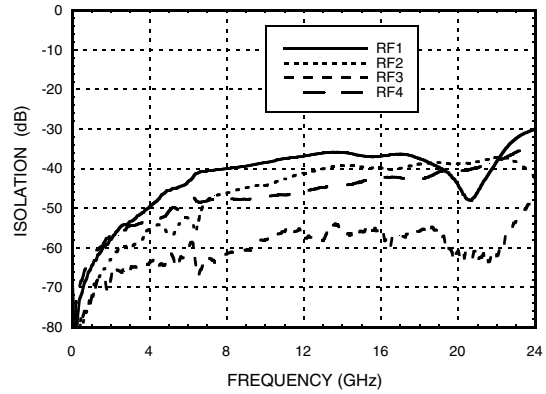


GaAs MMIC SP4T NON-REFLECTIVE SWITCH, DC - 20 GHz

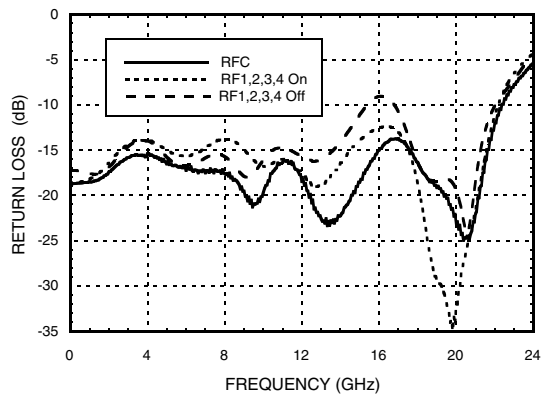
Insertion Loss vs. Temperature



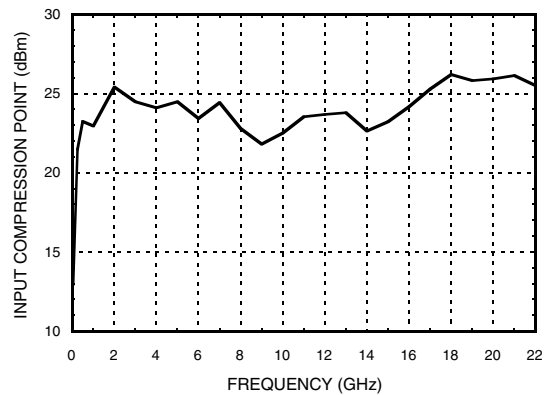
Isolation



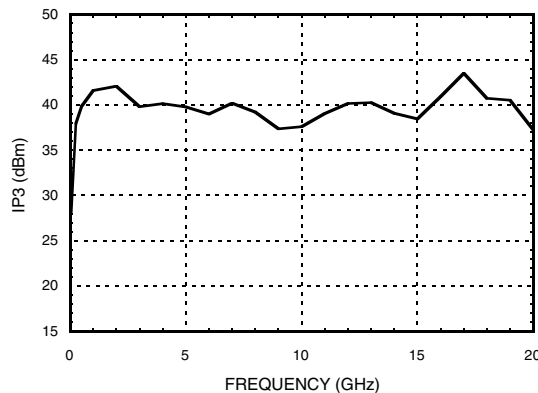
Return Loss



1 dB Input Compression Point



Input Third Order Intercept Point @ 0 dBm Tone Power



Information furnished by Analog Devices is believed to be accurate and reliable. However, no responsibility is assumed by Analog Devices for its use, nor for any infringements of patents or other rights of third parties that may result from its use. Specifications subject to change without notice. No license is granted by implication or otherwise under any patent or patent rights of Analog Devices. Trademarks and registered trademarks are the property of their respective owners.

For price, delivery, and to place orders: Analog Devices, Inc., One Technology Way, P.O. Box 9106, Norwood, MA 02062-9106 Phone: 781-329-4700 • Order online at www.analog.com Application Support: Phone: 1-800-ANALOG-D


**GaAs MMIC SP4T NON-REFLECTIVE
SWITCH, DC - 20 GHz**
Absolute Maximum Ratings

| | |
|---|------------------|
| Bias Voltage (Vss) | -7V |
| Control Voltage Range (A & B) | Vss -0.5V to +1V |
| Maximum Input Power | +24 dBm |
| Channel Temperature | 150 °C |
| Thermal Resistance Channel to die bottom (Insertion Loss Path) | 199 °C/W |
| Thermal Resistance Channel to die bottom (Terminated Path) | 219 °C/W |
| Storage Temperature | -65 to +150 °C |
| Operating Temperature | -40 to +85 °C |
| ESD Sensitivity (HBM) | Class 1A |

Truth Table

| Control Input | | Signal Path State |
|---------------|------|-------------------|
| A | B | RFC to: |
| High | High | RF1 |
| Low | High | RF2 |
| High | Low | RF3 |
| Low | Low | RF4 |

Bias Voltage & Current

| Vss Range= -5.0 Vdc ±10% | | |
|--------------------------|----------------|----------------|
| Vss (Vdc) | Iss (Typ) (mA) | Iss (Max) (mA) |
| -5 | 1.7 | 5.0 |



**ELECTROSTATIC SENSITIVE DEVICE
OBSERVE HANDLING PRECAUTIONS**

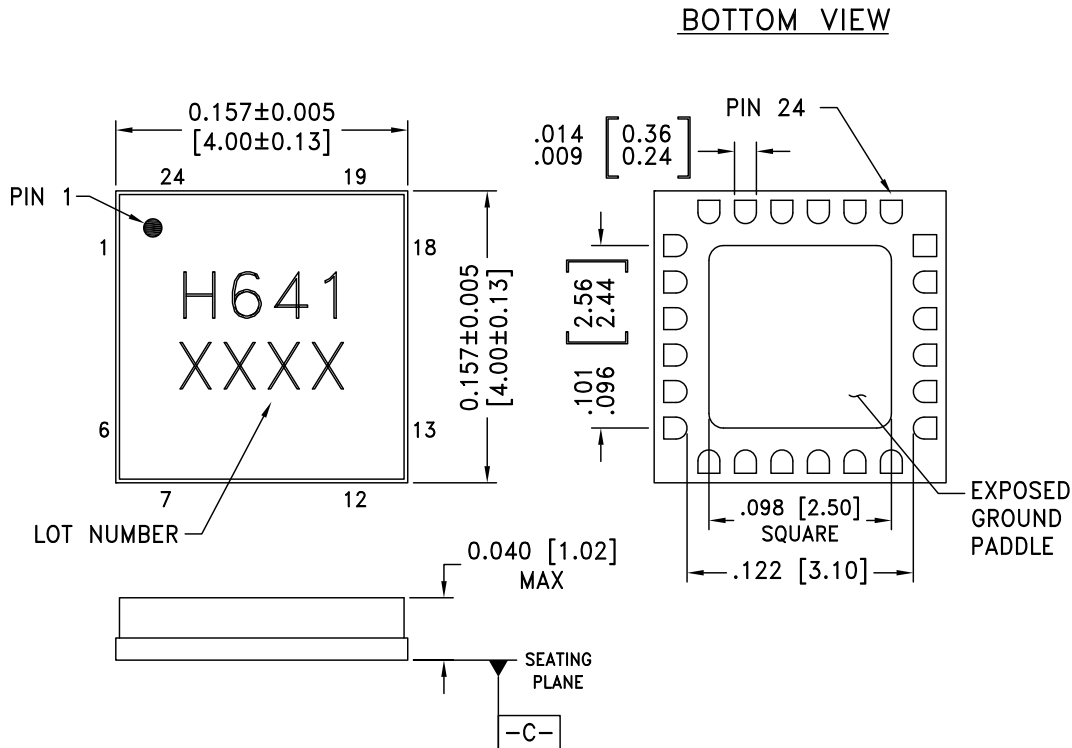
TTL/CMOS Control Voltages

| State | Bias Condition |
|-------|----------------------------|
| Low | -2.5V to 0V @ 30 µA Typ. |
| High | -5V to -3.8V @ 1.7 µA Typ. |



GaAs MMIC SP4T NON-REFLECTIVE SWITCH, DC - 20 GHz

Outline Drawing



NOTES:

1. PACKAGE BODY MATERIAL: ALUMINA
2. LEAD AND GROUND PADDLE PLATING: 30-80 MICROINCHES GOLD OVER 50 MICROINCHES MINIMUM NICKEL.
3. DIMENSIONS ARE IN INCHES [MILLIMETERS].
4. LEAD SPACING TOLERANCE IS NON-CUMULATIVE
5. PACKAGE WARP SHALL NOT EXCEED 0.05mm DATUM -C-
6. ALL GROUND LEADS AND GROUND PADDLE MUST BE SOLDERED TO PCB RF GROUND.


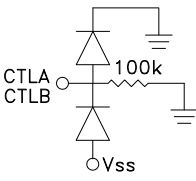
Package Information

| Part Number | Package Body Material | Lead Finish | MSL Rating | Package Marking ^[2] |
|-------------|-----------------------|------------------|---------------------|--------------------------------|
| HMC641LC4 | Alumina, White | Gold over Nickel | MSL3 ^[1] | H641 XXXX |

[1] Max peak reflow temperature of 260 °C

[2] 4-Digit lot number XXXX

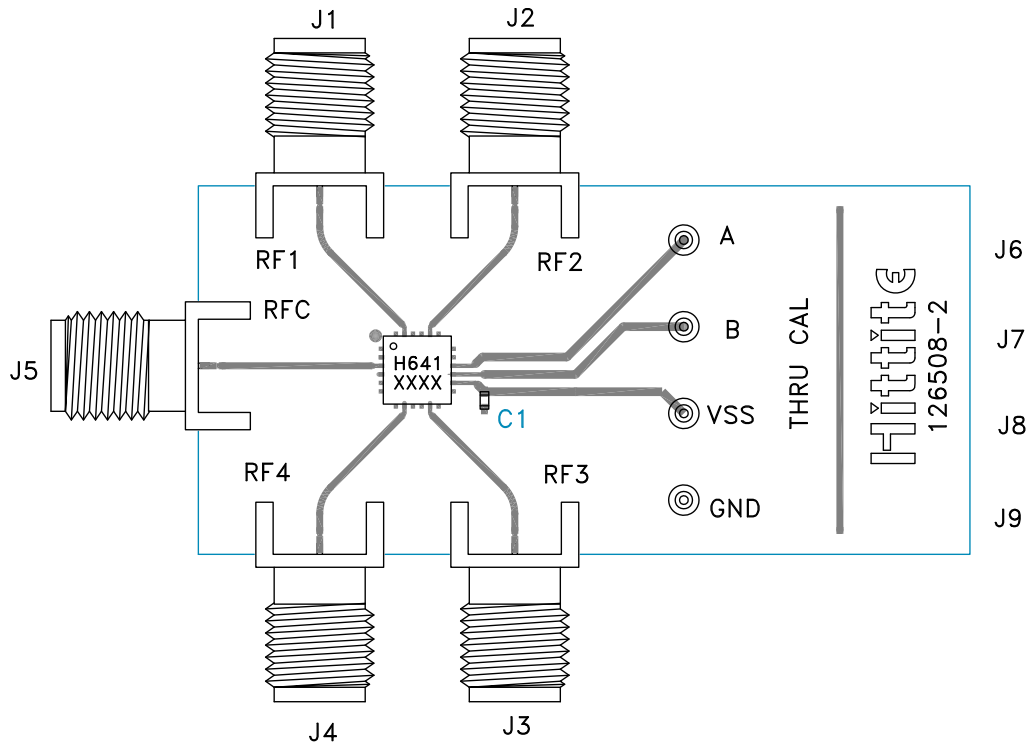

**GaAs MMIC SP4T NON-REFLECTIVE
SWITCH, DC - 20 GHz**
Pin Descriptions

| Pin Number | Function | Description | Interface Schematic |
|---|-------------------------|--|--|
| 1, 5, 6, 13, 18 | N/C | These pins are not connected internally; however, all data shown herein was measured with these pins connected to RF/DC ground externally. | |
| 2, 4, 7, 9, 10, 12, 17, 19, 21, 22, 24 Ground Paddle | GND | These pins and the exposed ground paddle must be connected to RF/DC ground. |  |
| 3, 8, 11, 20, 23 | RFC, RF1, RF2, RF3, RF4 | These pads are DC coupled and matched to 50 Ohms. Blocking capacitors are required if RF line potential is not equal to 0V. | |
| 14 | Vss | Supply Voltage -5 Vdc ± 10%. | |
| 15 | CTLB | See Truth Table and Control Voltage Table. |  |
| 16 | CTLA | See Truth Table and Control Voltage Table. | |



**GaAs MMIC SP4T NON-REFLECTIVE
SWITCH, DC - 20 GHz**

Evaluation PCB



List of Materials for Evaluation PCB 126511 [1]

| Item | Description |
|---------|------------------------------|
| J1 - J5 | PCB Mount SMA Connector |
| C1 | 1000 pF Capacitor, 0402 Pkg. |
| U1 | HMC641LC4 Switch |
| PCB [2] | 126508 Evaluation PCB |

[1] Reference this number when ordering complete evaluation PCB

[2] Circuit Board Material: Rogers 4350 or Arlon FR4

The circuit board used in the application should use RF circuit design techniques. Signal lines should have 50 Ohm impedance while the package ground leads and exposed paddle should be connected directly to the ground plane similar to that shown. A sufficient number of via holes should be used to connect the top and bottom ground planes. The evaluation board should be mounted to an appropriate heat sink. The evaluation circuit board shown is available from Hittite upon request.