



Chipsmall Limited consists of a professional team with an average of over 10 year of expertise in the distribution of electronic components. Based in Hongkong, we have already established firm and mutual-benefit business relationships with customers from,Europe,America and south Asia,supplying obsolete and hard-to-find components to meet their specific needs.

With the principle of “Quality Parts,Customers Priority,Honest Operation,and Considerate Service”,our business mainly focus on the distribution of electronic components. Line cards we deal with include Microchip,ALPS,ROHM,Xilinx,Pulse,ON,Everlight and Freescale. Main products comprise IC,Modules,Potentiometer,IC Socket,Relay,Connector.Our parts cover such applications as commercial,industrial, and automotives areas.

We are looking forward to setting up business relationship with you and hope to provide you with the best service and solution. Let us make a better world for our industry!



## Contact us

Tel: +86-755-8981 8866 Fax: +86-755-8427 6832

Email & Skype: info@chipsmall.com Web: www.chipsmall.com

Address: A1208, Overseas Decoration Building, #122 Zhenhua RD., Futian, Shenzhen, China

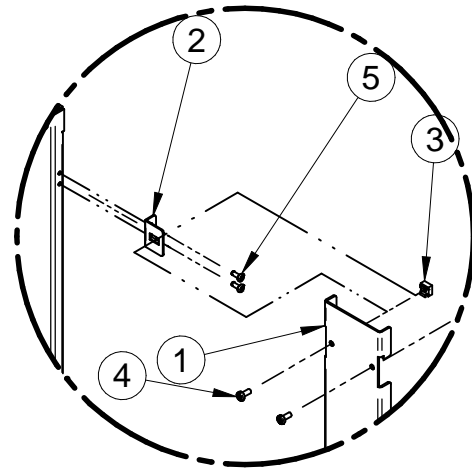
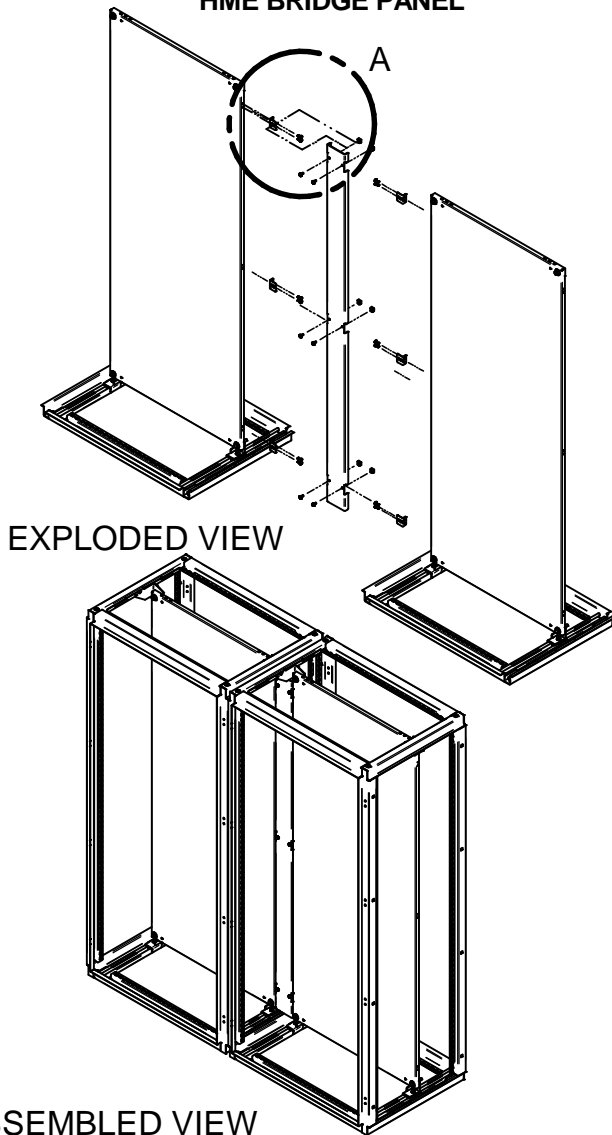


# HMEPB - SERIES

BUL86186

REV. A

## ASSEMBLY INSTRUCTIONS FOR HME BRIDGE PANEL



### ASSEMBLY A

#### INSTRUCTIONS:

A) Install HME bridge panel brackets (Item 2) to inner panel using self tapping screws (Item 5). Assembly TIP: Install before ganging two units together or stagger one panel back from the other.

B) Install cage nuts (Item 3) into bridge panel brackets (Item 2).

C) If not already done, gang the two units together (See HMEJK bulletin), make sure inner panels are in line with each other.

D) Hang bridge panel (Item 1) on to bridge panel brackets (Item 2).

E) Line up cage nuts (Item 3) with holes in the bridge panel (Item 1) and install 1/4-20 machine screws (Item 4).

ITEM	DESCRIPTION	QTY
1	HME - Bridge Panel	1
2	HME - Bridge Panel Bracket	6
3	1/4-20 Cage Nut	6
4	Screw - 1/4-20 1/2 RND SL ZP	6
5	Screw - #12 X 1/2" Pan Head Phillips Self tapping	12

