



Chipsmall Limited consists of a professional team with an average of over 10 year of expertise in the distribution of electronic components. Based in Hongkong, we have already established firm and mutual-benefit business relationships with customers from,Europe,America and south Asia,supplying obsolete and hard-to-find components to meet their specific needs.

With the principle of “Quality Parts,Customers Priority,Honest Operation,and Considerate Service”,our business mainly focus on the distribution of electronic components. Line cards we deal with include Microchip,ALPS,ROHM,Xilinx,Pulse,ON,Everlight and Freescale. Main products comprise IC,Modules,Potentiometer,IC Socket,Relay,Connector.Our parts cover such applications as commercial,industrial, and automotives areas.

We are looking forward to setting up business relationship with you and hope to provide you with the best service and solution. Let us make a better world for our industry!



Contact us

Tel: +86-755-8981 8866 Fax: +86-755-8427 6832

Email & Skype: info@chipsmall.com Web: www.chipsmall.com

Address: A1208, Overseas Decoration Building, #122 Zhenhua RD., Futian, Shenzhen, China

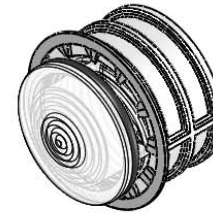


8 7 6 5 4 3 2 1

NOTES:

1. MOUNTING: Mounts in a $\phi .562 \pm .002$ [$\phi 16.56\text{mm} \pm .05$] panel hole on .750 [19.05mm] centers. Panel thickness .031 [.8mm] to .187 [4.75mm]. Panel hole should be deburred, but not chamfered.
2. ASSEMBLY: Insert lens through panel hole, slide lock washer onto lens barrel and twist on retaining ring. PCB mounted LEDs slide into lens when the panel cover is closed or the PCB card is inserted into the case.
3. MATERIAL: Lens-Polycarbonate, UL 94-V2
Lock Washer- FH Steel, Nickel plate
Retaining ring - Thermoplastic, U.L. 94 V0 Rated
Seal- EPDM
4. U.S. & Foreign Pat. Issued & Pend.

REVISIONS				
ECN#	REV.	DESCRIPTION	DATE	INITIALS
	001	REVISED PER EC R111009AZ01	4-23-10	SMU



D

D

C

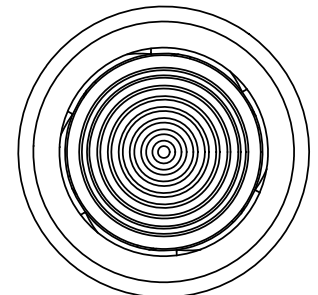
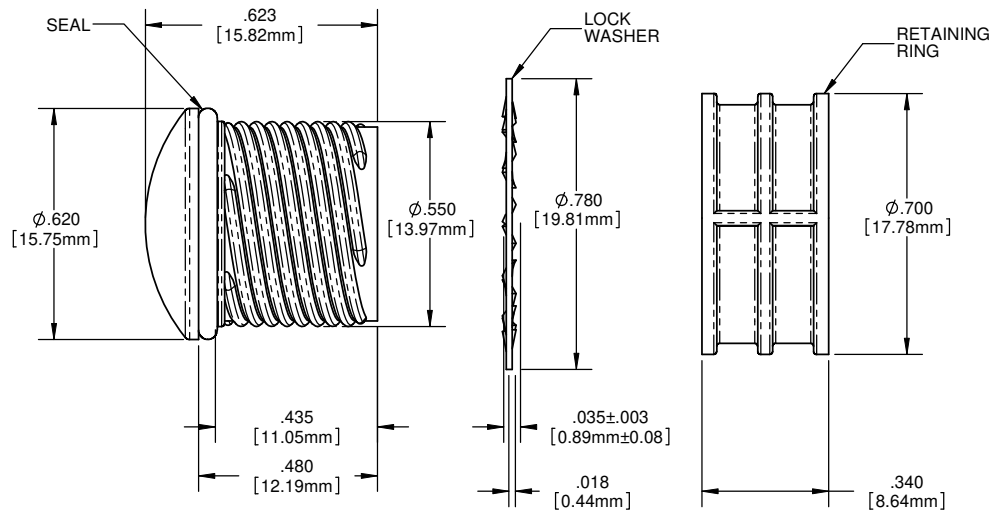
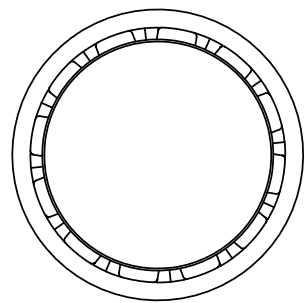
C

B

B

A

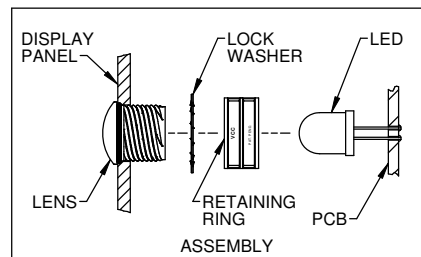
A



ORDERING CODE : **HMS 462 XXX**

MODEL

LENS COLOR	
RTP	RED TRANSPARENT
ATP	AMBER TRANSPARENT
GTP	GREEN TRANSPARENT
BTP	BLUE TRANSPARENT
YTP	YELLOW TRANSPARENT
CTP	CLEAR TRANSPARENT



DIMENSION STYLE: INCHES / MM GENERAL TOLERANCES (UNLESS OTHERWISE SPECIFIED): XX ±.010 ±.254 XXX ±.005 ±.127		MATERIAL: SEE NOTES		VCC OPTO ELECTRONICS 190 BOSSIE KIRBY, SUITE 101 SAN MARCOS, CA 92069 USA PHONE (760) 560-1300, FAX (760) 560-1301 EMAIL: vcc@vcc.com	
FINISH: SEE NOTES		TITLE: 10MM ROUND STANDARD THREADED FRESNEL LENS WITH SEAL		SIZE DWG. NO. REV B HMS 462 XXX 001	
APPROVAL: SMU DATE: 4-23-10		SCALE: 4:1		SHEET 1 OF 1	
DRAWN: SMU		DO NOT SCALE DRAWING		CHECKED: DZ DATE: 4-23-10	

8 7 6 5 4 3 2 1