



Chipsmall Limited consists of a professional team with an average of over 10 year of expertise in the distribution of electronic components. Based in Hongkong, we have already established firm and mutual-benefit business relationships with customers from,Europe,America and south Asia,supplying obsolete and hard-to-find components to meet their specific needs.

With the principle of “Quality Parts,Customers Priority,Honest Operation,and Considerate Service”,our business mainly focus on the distribution of electronic components. Line cards we deal with include Microchip,ALPS,ROHM,Xilinx,Pulse,ON,Everlight and Freescale. Main products comprise IC,Modules,Potentiometer,IC Socket,Relay,Connector.Our parts cover such applications as commercial,industrial, and automotives areas.

We are looking forward to setting up business relationship with you and hope to provide you with the best service and solution. Let us make a better world for our industry!



Contact us

Tel: +86-755-8981 8866 Fax: +86-755-8427 6832

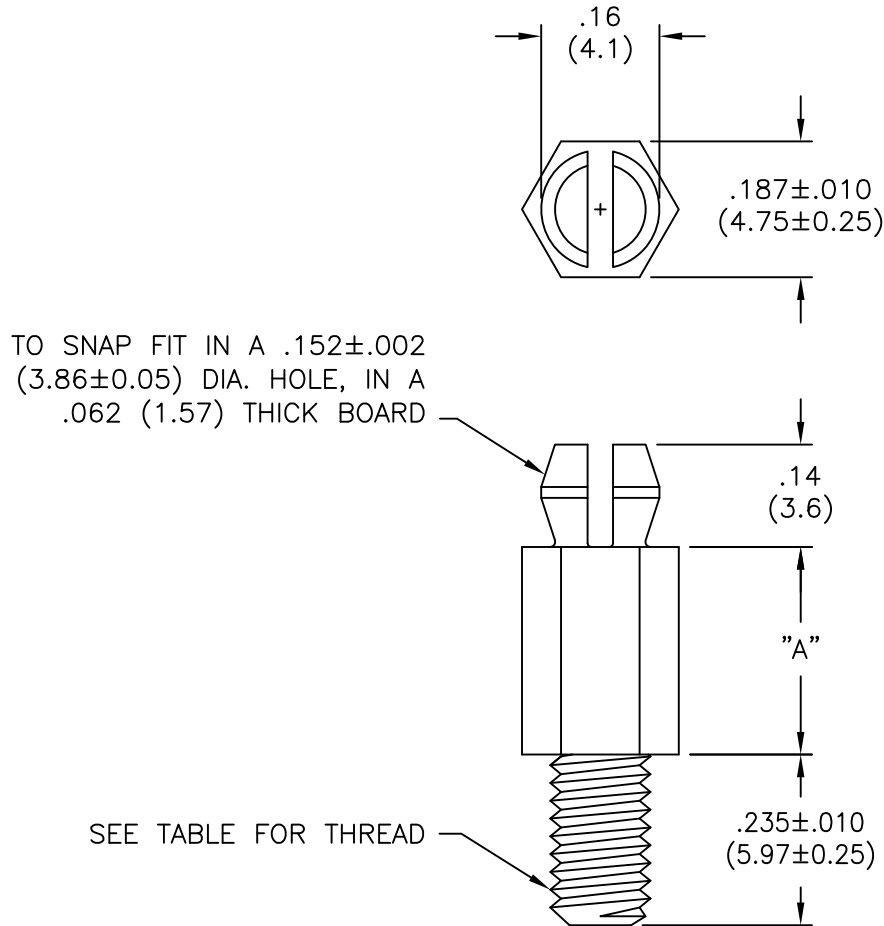
Email & Skype: info@chipsmall.com Web: www.chipsmall.com

Address: A1208, Overseas Decoration Building, #122 Zhenhua RD., Futian, Shenzhen, China



#6-32 THREAD PART NO.	*M3 THREAD PART NO.	*M4 THREAD PART NO.	"A" ±.015(0.4)
HMSP-TM-2-01	HMSP-M3-2-01	HMSP-M4-2-01	1/8 (3.2)
HMSP-TM-3-01	HMSP-M3-3-01	HMSP-M4-3-01	3/16 (4.8)
HMSP-TM-4-01	HMSP-M3-4-01	HMSP-M4-4-01	1/4 (6.4)
HMSP-TM-6-01	HMSP-M3-6-01	HMSP-M4-6-01	3/8 (9.5)
HMSP-TM-8-01	HMSP-M3-8-01	HMSP-M4-8-01	1/2 (12.7)
HMSP-TM-10-01	HMSP-M3-10-01	HMSP-M4-10-01	5/8 (15.9)
HMSP-TM-12-01	HMSP-M3-12-01	HMSP-M4-12-01	3/4 (19.1)
HMSP-TM-14-01	HMSP-M3-14-01	HMSP-M4-14-01	7/8 (22.2)

*PARTS AVAILABLE BY SPECIAL ORDER - NAFTA REGION ONLY



NOTES:

- MATERIAL: NYLON 6/6 (RMS-01).
FLAME RETARDANT NYLON (RMS-19),
AVAILABLE BY SPECIAL ORDER ONLY.
- COLOR: NATURAL.
COLOR BLACK AVAILABLE BY SPECIAL ORDER.

G	SEE CO 200773 FOR CHANGES	SK 04.30.12
F	SEE ECN #1243 FOR CHANGES	SK 11.06.06
E	SEE ECN #731 FOR CHANGES	SM 11.21.03
D	CHANGED TO PORTRAIT FORMAT	SM 11.28.01
C	CHANGED FILE NO.	SM 11.06.01
B	MAT'L RMS-19 ADDED	JL 12.10.97
A	CONVERTED TO ACAD	PB 06.22.94
REV	DESCRIPTION	ENGR DATE

TITLE: HEX MINI SUPPORT POST THREADED MALE



TOLERANCES UNLESS NOTED .XX=±.010 .XXX=±.005 FRAC=±1/64 ANG=1°	FILE # HMSP-TM MAT'L: SEE NOTES RE: RICHCO, INC.	DWN: P.B. DT: 06-22-94	APP: DT:	DWG IN IN (MM)	FINAL	PART # SEE TABLE	PRINT TYPE CA
---	--	---------------------------	-------------	-------------------	-------	---------------------	---------------------

RICHCO INC.
PO BOX 804238, CHICAGO, 60680
(773) 539-4060