



Chipsmall Limited consists of a professional team with an average of over 10 year of expertise in the distribution of electronic components. Based in Hongkong, we have already established firm and mutual-benefit business relationships with customers from,Europe,America and south Asia,supplying obsolete and hard-to-find components to meet their specific needs.

With the principle of “Quality Parts,Customers Priority,Honest Operation,and Considerate Service”,our business mainly focus on the distribution of electronic components. Line cards we deal with include Microchip,ALPS,ROHM,Xilinx,Pulse,ON,Everlight and Freescale. Main products comprise IC,Modules,Potentiometer,IC Socket,Relay,Connector.Our parts cover such applications as commercial,industrial, and automotives areas.

We are looking forward to setting up business relationship with you and hope to provide you with the best service and solution. Let us make a better world for our industry!



Contact us

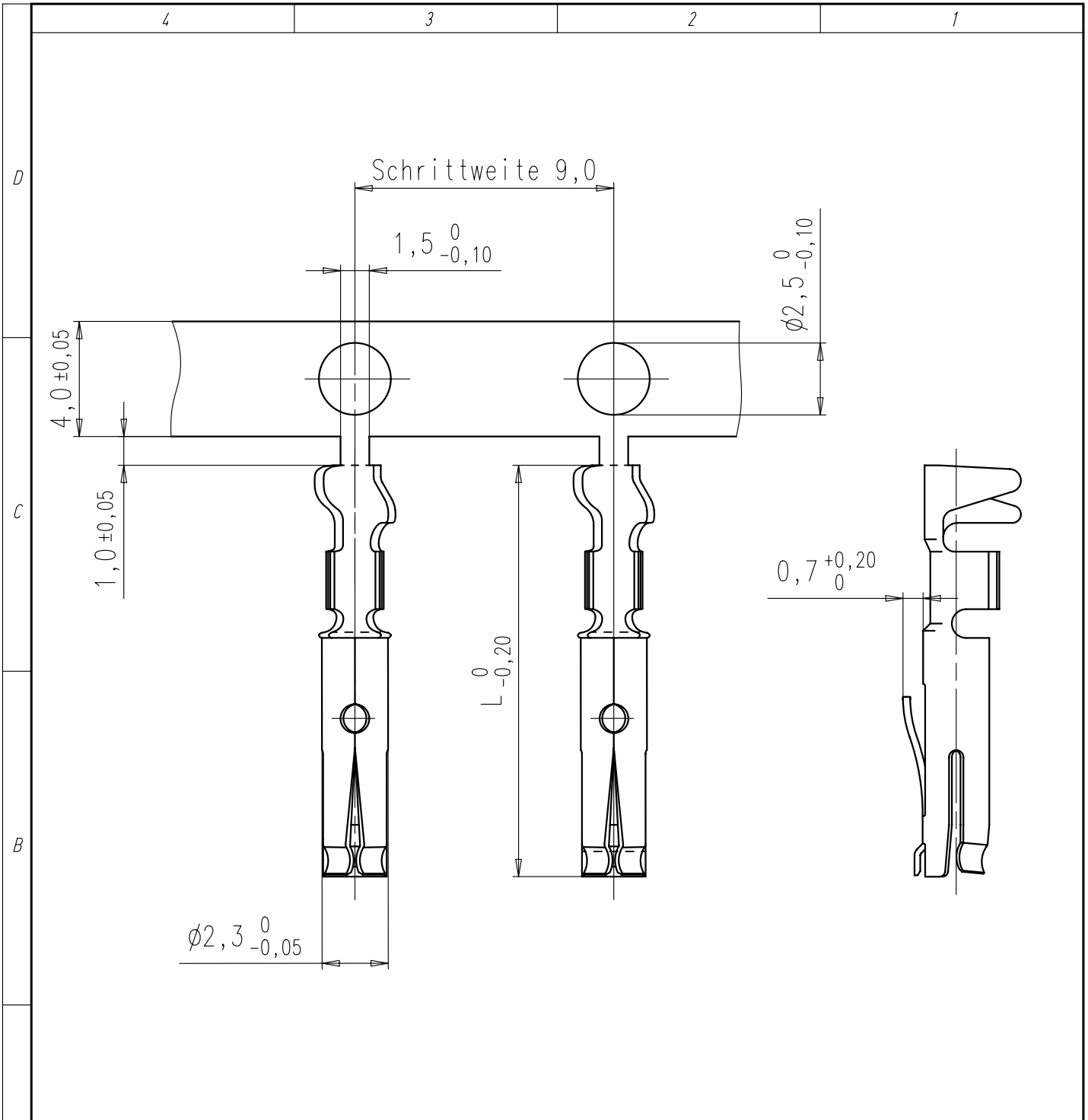
Tel: +86-755-8981 8866 Fax: +86-755-8427 6832

Email & Skype: info@chipsmall.com Web: www.chipsmall.com

Address: A1208, Overseas Decoration Building, #122 Zhenhua RD., Futian, Shenzhen, China



Copying of this document and giving it to others and the use or communication of the contents thereof, are forbidden without express authority. Offenders are liable to the payment of damages. All rights are reserved in the event of the grant of a patent or the registration of the utility model or design.



Typ	Nr.	Ag	Au	Anschlußquerschnitt	L	Lieferform
HN	02 015	0046	(1) (2)	0,14-0,5mm ²	14,3	Band 2000 St.
ZN	02 015	0046	(1) (2)	0,14-0,5mm ²	14,3	Band 200 St.
VN	02 015	0046	(1) (2)	0,14-0,5mm ²	14,3	Einzelkontakt 100 St.
HN	02 015	0047	(1) (2)	0,75 -1,0mm ²	15,3	Band 2000 St.
ZN	02 015	0047	(1) (2)	0,75 -1,0mm ²	15,3	Band 200 St.
VN	02 015	0047	(1) (2)	0,75 -1,0mm ²	15,3	Einzelkontakt 100 St.

Weitergabe sowie Vervielfältigung dieser Unterlage, Verwertung und Mitteilung ihres Inhalts nicht gestattet, soweit nicht ausdrücklich zugestanden. Zuwiderhandlungen verpflichten zu Schadenersatz. Alle Rechte für den Fall der Patenterteilung oder Gebrauchsmuster-Eintragung vorbehalten.

Gewicht (errechnet)/ Calc WT: 9		Zul. Abw./Tolerances:		Maßstab/Scale 5:1		A4			
Prüfmaß/Testdimension		DIN 6784		CUSTOMER DRAWING Kontaktfeder female contact					
Teileindex Part index number									
		04 Datum/Date		Name		M N 02 015 004X (X)			
		Gez. 29.07.		Brauher					
		Drawn		?					
		Gepr. Checked							
		Amphenol-Tuchel		Ers. f./Similar to:		Blatt/Sheet		1	
01 200400474		29.07.04 DB		Electronics GmbH		1		1 Bl.	
Index Änderung/Description		Datum/Date		Name					