



Chipsmall Limited consists of a professional team with an average of over 10 year of expertise in the distribution of electronic components. Based in Hongkong, we have already established firm and mutual-benefit business relationships with customers from,Europe,America and south Asia,supplying obsolete and hard-to-find components to meet their specific needs.

With the principle of “Quality Parts,Customers Priority,Honest Operation,and Considerate Service”,our business mainly focus on the distribution of electronic components. Line cards we deal with include Microchip,ALPS,ROHM,Xilinx,Pulse,ON,Everlight and Freescale. Main products comprise IC,Modules,Potentiometer,IC Socket,Relay,Connector.Our parts cover such applications as commercial,industrial, and automotives areas.

We are looking forward to setting up business relationship with you and hope to provide you with the best service and solution. Let us make a better world for our industry!



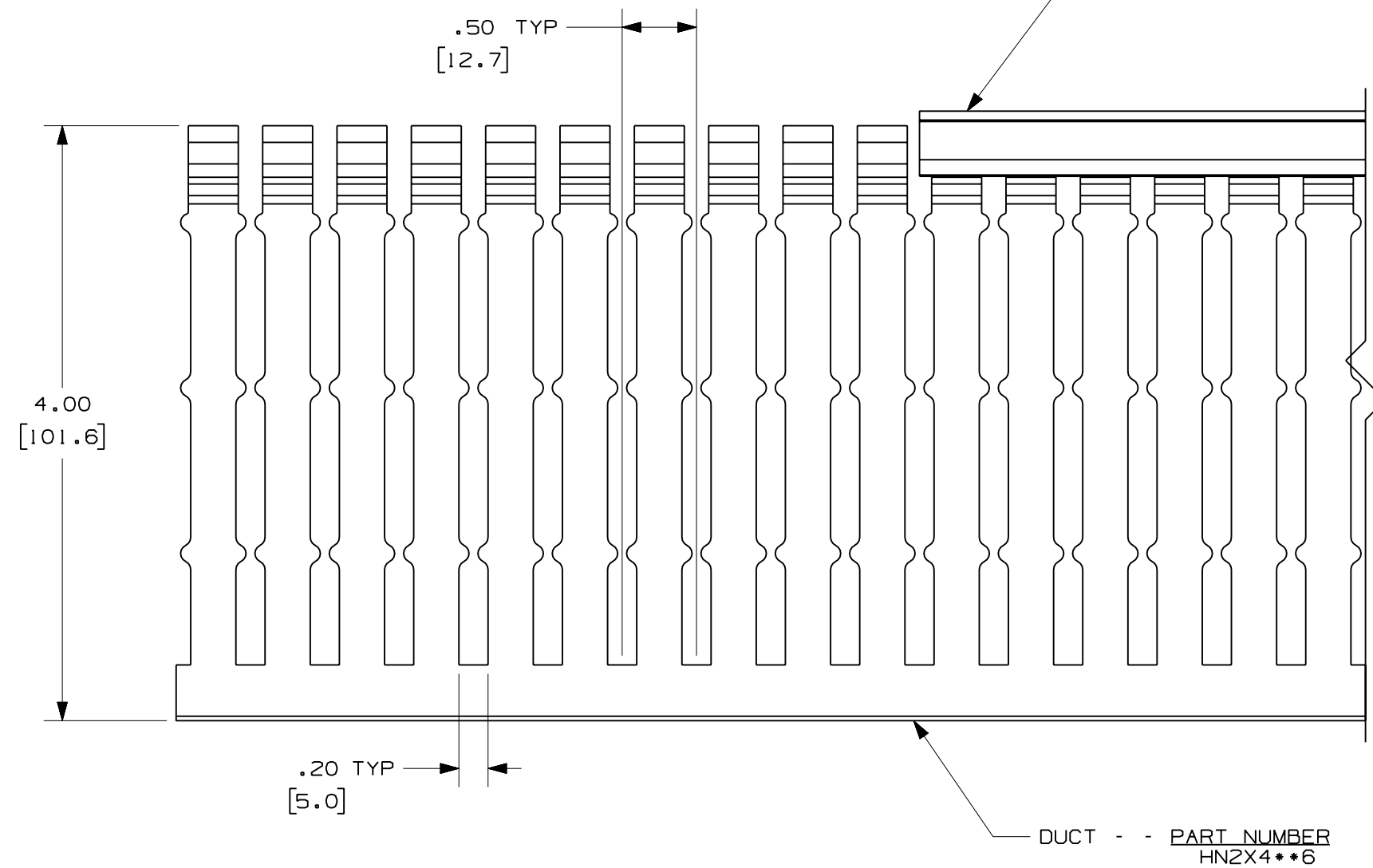
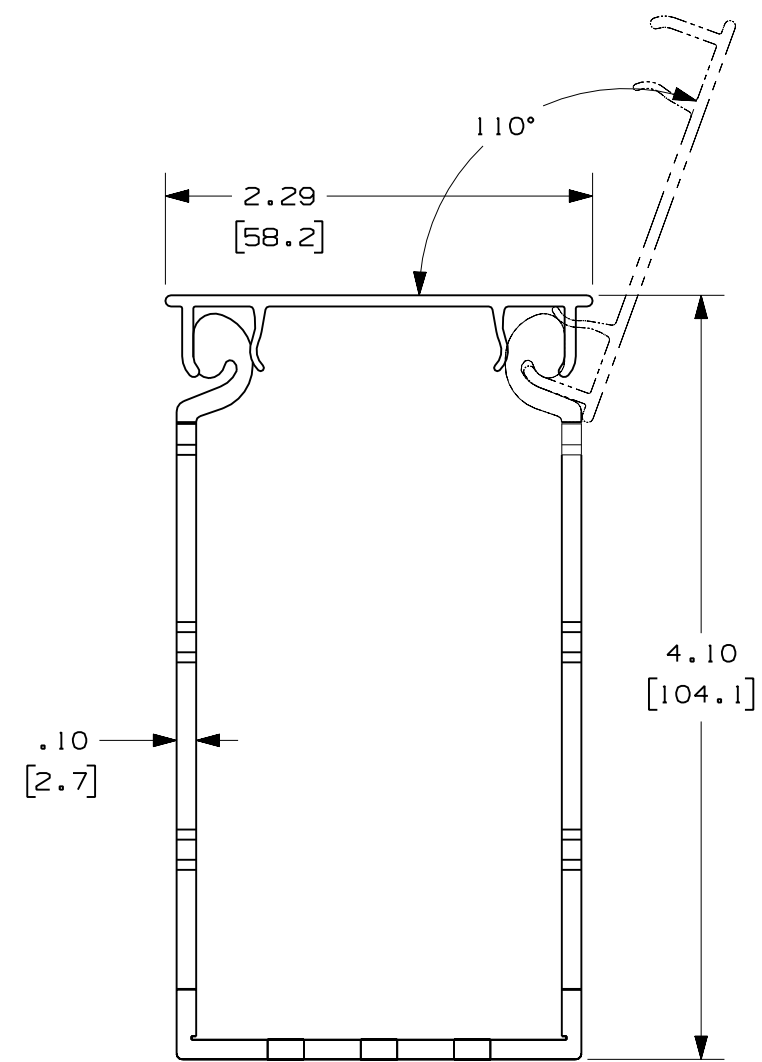
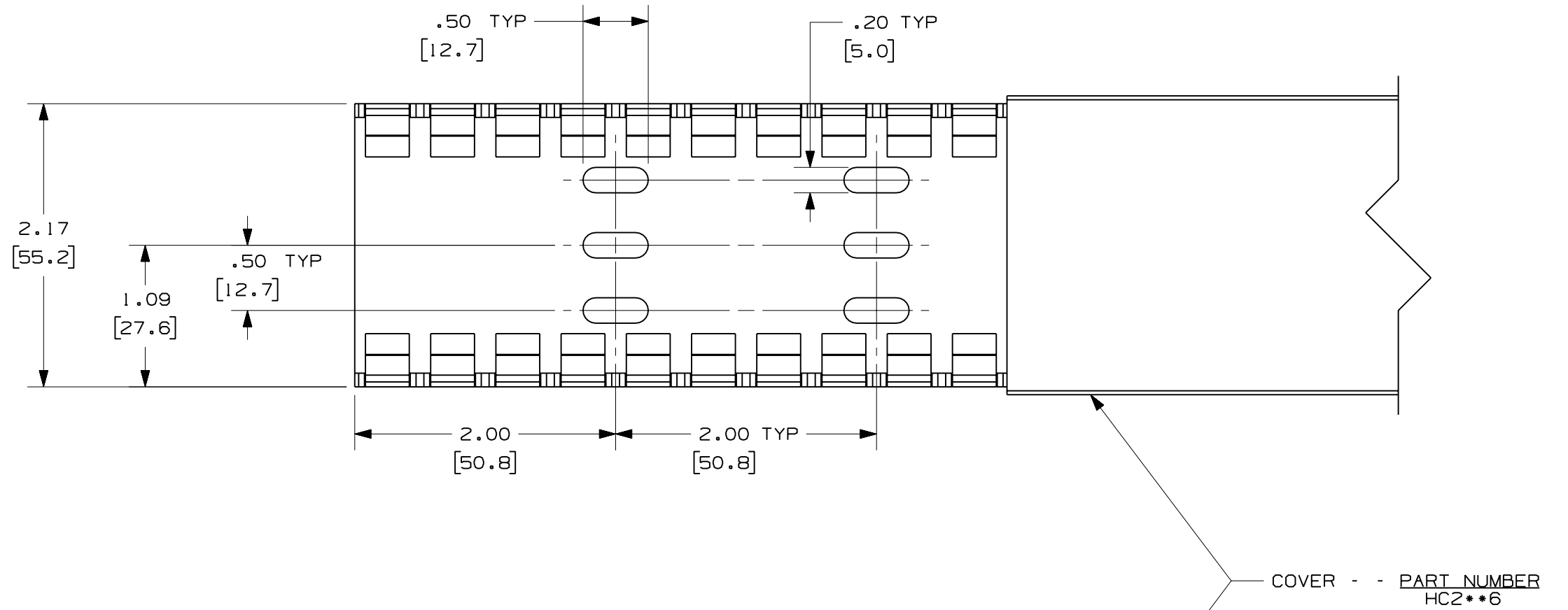
Contact us

Tel: +86-755-8981 8866 Fax: +86-755-8427 6832

Email & Skype: info@chipsmall.com Web: www.chipsmall.com

Address: A1208, Overseas Decoration Building, #122 Zhenhua RD., Futian, Shenzhen, China





- NOTES:
 1. ALL DIMENSIONS ARE REFERENCE ONLY.
 2. DIMENSIONS IN PARENTHESES ARE METRIC.
 3. THE ** INDICATES COLOR.
 4. DUCT AND COVER ARE AVAILABLE IN 6 FT (1828.8) LENGTHS.

				CAD FILENAME/LAYERS: DI1000UY_DC/00A			
				PANDUIT CORP. TINLEY PARK, ILLINOIS			
				WIRING DUCT - TYPE HN WITH COVER 2X4			
				MARKETING DRAWING			
DRAWN BY: JCST		MATERIAL: PVC		SCALE: FULL			
DATE: 11-19-07		CHK'D: MKBE		DRAWING NO.: 36897-1241		DWG SIZE: C	
REV	DATE	BY	CHK	DESCRIPTION			
R	11-19-07	JCST	MKBE	DRAWING RELEASED			