



Chipsmall Limited consists of a professional team with an average of over 10 year of expertise in the distribution of electronic components. Based in Hongkong, we have already established firm and mutual-benefit business relationships with customers from,Europe,America and south Asia,supplying obsolete and hard-to-find components to meet their specific needs.

With the principle of “Quality Parts,Customers Priority,Honest Operation,and Considerate Service”,our business mainly focus on the distribution of electronic components. Line cards we deal with include Microchip,ALPS,ROHM,Xilinx,Pulse,ON,Everlight and Freescale. Main products comprise IC,Modules,Potentiometer,IC Socket,Relay,Connector.Our parts cover such applications as commercial,industrial, and automotives areas.

We are looking forward to setting up business relationship with you and hope to provide you with the best service and solution. Let us make a better world for our industry!



## Contact us

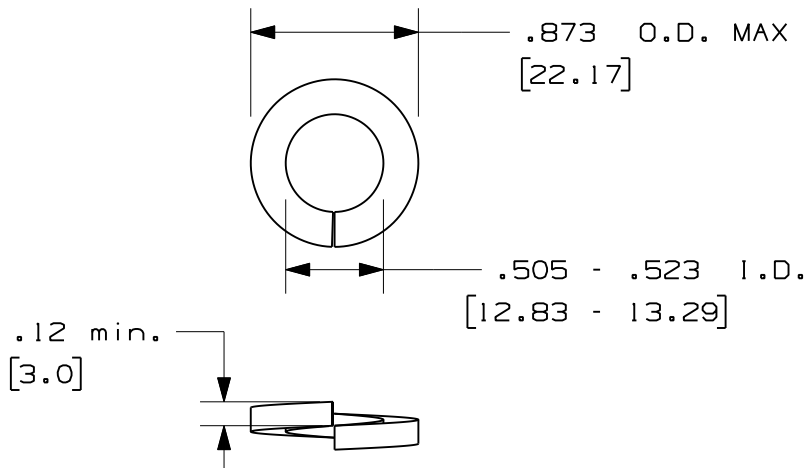
Tel: +86-755-8981 8866 Fax: +86-755-8427 6832

Email & Skype: info@chipsmall.com Web: www.chipsmall.com

Address: A1208, Overseas Decoration Building, #122 Zhenhua RD., Futian, Shenzhen, China



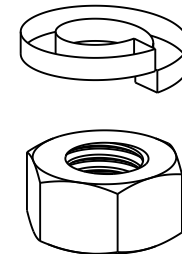
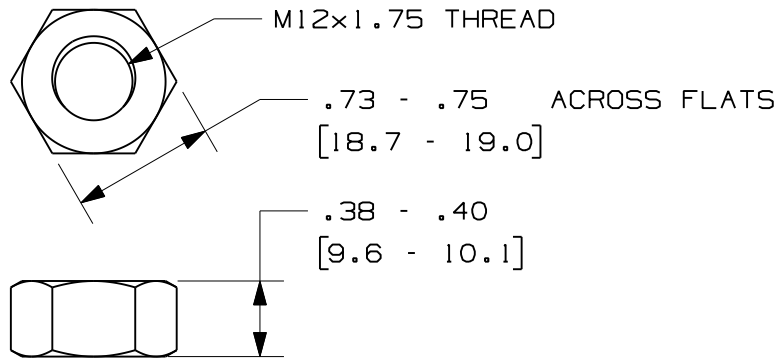
THIS COPY IS PROVIDED ON A RESTRICTED BASIS AND IS NOT TO BE USED IN ANY WAY DETRIMENTAL TO THE INTERESTS OF PANDUIT CORP.



PANDUIT PART NUMBER	WEIGHT PER KIT
HNLW12M	4.68 lb 2123 g

**NOTES:**

1. SEE CURRENT CATALOG FOR ADDITIONAL PART SUFFIXES TO INDICATE PACKAGE QUANTITY.
2. EACH KIT CONTAINS:  
100 PIECES OF M12 X 1.75 HEX NUT  
100 PIECES OF HELICAL SPRING LOCKWASHER
3. FINISH COLOR: CLEAR ZINC PLATE
4. DIMENSIONS IN PARENTHESES ARE METRIC.



CAD FILENAME/LAYERS 09D017GQ\_DC/00B (HNLW12M)

PANDUIT CORP. TINLEY PARK, ILLINOIS

HEX NUT AND LOCKWASHER KIT  
12 MM THREAD  
CUSTOMER DRAWING

UNLESS OTHERWISE SPECIFIED,  
DIMENSIONAL TOLERANCES ARE:  
(.X) ± (.XXX) ± .005 (.13)  
(.XX) ± .010 (.3) ANGLES ± 1°

UNLESS OTHERWISE SPECIFIED,  
ALL DIMENSIONS ARE GIVEN  
IN INCHES, THIRD ANGLE PROJECTION.

REV	DATE	BY	CHK	DESCRIPTION	ECN	CHK	CUST	SUP
I	02-11-11	ERK	DWW	RELEASED TO PRODUCTION	09D01760-DC	RN	RN	
R	12-20-10	JAHA	DWW	DRAWING RELEASED				

DRAWN BY JAHA  
DATE 12-20-10  
CHK'D DWW

MAT'L: SEE NOTES ABOVE

SCALE FULL  
DRAWING NO. 09D017GQ-DC  
DWG SIZE A