



Chipsmall Limited consists of a professional team with an average of over 10 year of expertise in the distribution of electronic components. Based in Hongkong, we have already established firm and mutual-benefit business relationships with customers from,Europe,America and south Asia,supplying obsolete and hard-to-find components to meet their specific needs.

With the principle of “Quality Parts,Customers Priority,Honest Operation,and Considerate Service”,our business mainly focus on the distribution of electronic components. Line cards we deal with include Microchip,ALPS,ROHM,Xilinx,Pulse,ON,Everlight and Freescale. Main products comprise IC,Modules,Potentiometer,IC Socket,Relay,Connector.Our parts cover such applications as commercial,industrial, and automotives areas.

We are looking forward to setting up business relationship with you and hope to provide you with the best service and solution. Let us make a better world for our industry!



Contact us

Tel: +86-755-8981 8866 Fax: +86-755-8427 6832

Email & Skype: info@chipsmall.com Web: www.chipsmall.com

Address: A1208, Overseas Decoration Building, #122 Zhenhua RD., Futian, Shenzhen, China



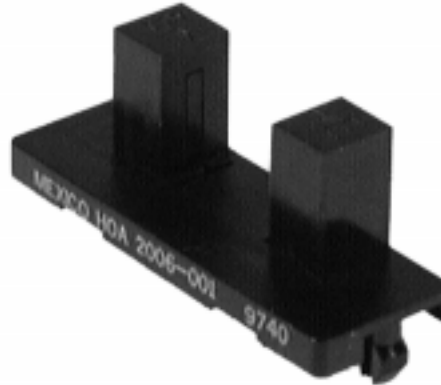
Infrared Assemblies

Wide Gap Transmissive Optoschmitt Sensor

HOA2006 Series

FEATURES

- Direct TTL interface
- Buffer logic
- Visible ambient light and dust protective filter
- 12 mm (0.47 in.) slot width
- Snap-in housing



The HOA2006 consists of an infrared emitting diode facing an Optoschmitt detector encased in a black thermoplastic housing. The photodetector consists of a photodiode, amplifier, voltage regulator, schmitt trigger, and an NPN output transistor with a 10 K ohm (nominal) pull-up resistor. The buffer logic provides a high output when the optical path is clear, and a low output when the path is blocked. Both emitter and detector have 1,52 mm (0.060 in.) x 1,52 mm (0.060 in.) vertical apertures.

The sensor housing contains IR (Infrared) transmissive optical windows. This arrangement provides excellent protection against visible ambient light while eliminating aperture openings which could be clogged by airborne contaminants.

Housing material is polycarbonate. Housings are soluble in chlorinated hydrocarbons and ketones. Recommended cleaning agents are methanol and isopropanol.

Infrared Assemblies

Wide Gap Transmissive Optoschmitt Sensor

HOA2006 Series

ABSOLUTE MAXIMUM RATINGS (25°C free-air temperature unless otherwise noted)

Operating Temperature Range	-40°C to 70°C
Storage Temperature Range	-40°C to 85°C
Soldering Temperature (5 sec)	240°C

IR EMITTER

Power Dissipation	100 mW ⁽¹⁾
Reverse Voltage	3 V
Continuous Forward Current	50 mA

DETECTOR

Supply Voltage	12 V ⁽²⁾
Output Sink Current	18 mA
Duration of Output Short to V _{cc} or Ground	1.0 sec.

Notes:

1. Derate linearly at 0.78 mW/°C above 25°C.
2. Derate linearly from 25°C to 5.5 V at 70°C.

CAUTION

STRESS DAMAGE

Functional operation of the device at or above "Absolute Maximum Ratings" for extended periods of time may affect reliability.

Failure to comply with these instructions may result in product damage.

ELECTRICAL CHARACTERISTICS (25°C unless otherwise noted)

Parameter	Symbol	Min	Typ	Max	Unit	Test Condition
IR EMITTER						
Forward Voltage	V _F			1.7	V	I _F =20 mA
Reverse Leakage Current	I _R			10	μA	V _R =3 V
DETECTOR						
Operating Supply Voltage	V _{cc}	4.5		12	V	
Low Level Supply Current	I _{ccl}	4.0		12	mA	V _{cc} =5 V
		5.0		15		V _{cc} =12 V
High Level Supply Current	I _{cch}	2.0		10	mA	V _{cc} =5 V
		3.0		12		V _{cc} =12 V
Low Level Output Voltage	V _{OL}			0.4	V	I _{OL} =12.8 mA, I _F =0 mA
High Level Output Voltage	V _{OH}	2.4			V	I _{OH} =0, I _F =20 mA
Hysteresis ⁽¹⁾	HYST		10		%	
Propagation Delay	t _{PLH} , t _{PHL}		5		μs	V _{cc} =5 V, I _F =20 mA
Low-High, High-Low						
Rise Time	t _r		60		ns	R _L =390 Ω, C _L =50 pF
Fall Time	t _f		15		ns	R _L =390 Ω, C _L =50 pF
COUPLED CHARACTERISTICS						
IRET Trigger Current	I _{FT}			20	mA	V _{cc} =5 V

Notes:

*Add a bypass capacitor, 0.1 μF typical, between V_{cc} and GND near the device in order to stabilize the power supply line.

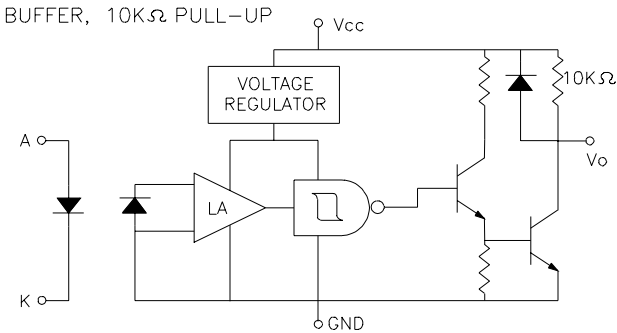
1. Hysteresis is defined as the difference between the operating and release threshold intensities, expressed as a percentage of the operate threshold intensity.

Infrared Assemblies

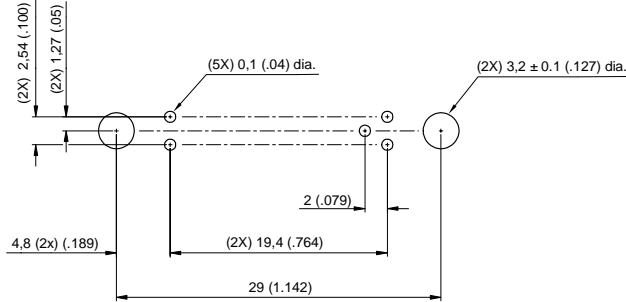
Wide Gap Transmissive Optoschmitt Sensor

HOA2006 Series

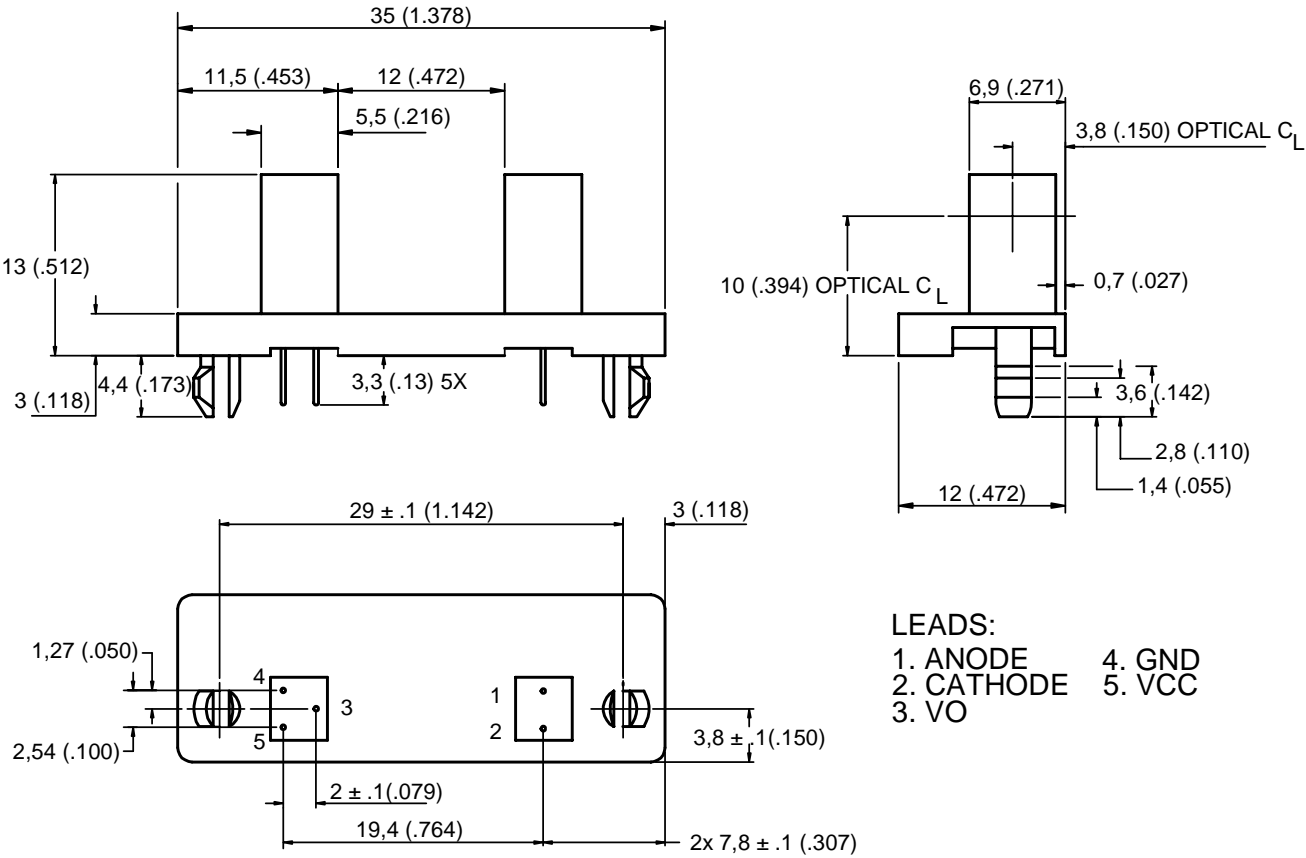
SCHEMATIC



RECOMMENDED PCB MOUNTING HOLE DIMENSIONS mm (in.)



OUTLINE DIMENSIONS mm (in.) (for reference only)



Infrared Assemblies

Wide Gap Transmissive Optoschmitt Sensor

HOA2006 Series

ORDER GUIDE

Catalog Listing	Description
HOA2006-001	Wide Gap Transmissive Optoschmitt Sensor

WARRANTY/REMEDY

Honeywell warrants goods of its manufacture as being free of defective material and faulty workmanship. Contact your local sales office for warranty information. If warranted goods are returned to Honeywell during that period of coverage, Honeywell will repair or replace without charge those items it finds defective. The foregoing is Buyer's sole remedy and is **in lieu of all other warranties, expressed or implied, including those of merchantability and fitness for a particular purpose.**

While we provide application assistance, personally, through our literature, and through the Honeywell website, it is up to the customer to determine the suitability of the product in the application.

Specifications may change at any time without notice. The information we supply is believed to be accurate and reliable as of this printing. However, we assume no responsibility for its use.

SALES AND SERVICE

MICRO SWITCH Sensing and Control serves its customers through a worldwide network of sales offices and distributors. For application assistance, current specifications, pricing or name of the nearest Authorized Distributor, contact a nearby sales office or call:

TELEPHONE

1-800-537-6945 (USA)

1-800-737-3360 (Canada)

1-815-235-6847 (International)

FAX

1-815-235-6545 (USA)

INTERNET

www.honeywell.com/sensing

info@micro.honeywell.com

Honeywell

Sensing and Control
Honeywell Inc.
11 West Spring Street
Freeport, Illinois 61032



Printed with Soy Ink
on 50% Recycled Paper

006456-1-EN IL50 GLO 1298 Printed in USA

www.honeywell.com/sensing