



Chipsmall Limited consists of a professional team with an average of over 10 year of expertise in the distribution of electronic components. Based in Hongkong, we have already established firm and mutual-benefit business relationships with customers from,Europe,America and south Asia,supplying obsolete and hard-to-find components to meet their specific needs.

With the principle of “Quality Parts,Customers Priority,Honest Operation,and Considerate Service”,our business mainly focus on the distribution of electronic components. Line cards we deal with include Microchip,ALPS,ROHM,Xilinx,Pulse,ON,Everlight and Freescale. Main products comprise IC,Modules,Potentiometer,IC Socket,Relay,Connector.Our parts cover such applications as commercial,industrial, and automotives areas.

We are looking forward to setting up business relationship with you and hope to provide you with the best service and solution. Let us make a better world for our industry!



## Contact us

Tel: +86-755-8981 8866 Fax: +86-755-8427 6832

Email & Skype: info@chipsmall.com Web: www.chipsmall.com

Address: A1208, Overseas Decoration Building, #122 Zhenhua RD., Futian, Shenzhen, China

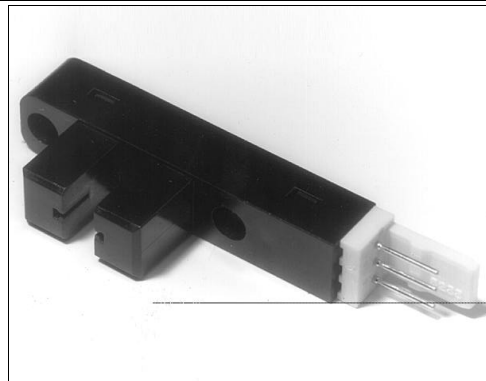


# HOA7720/7730

## Connectorized Transmissive Optoschmitt Sensor

### FEATURES

- Direct TTL interface
- No interface circuits required
- Inverting logic
- Two device output options
- High resolution
- 0.118 in.(3.00 mm) slot width



INFRA-85.TIF

### DESCRIPTION

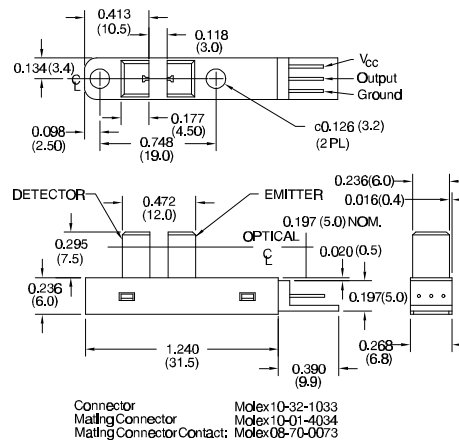
The HOA7720/7730 Series consists of an infrared emitting diode facing an Optoschmitt detector encased in a black thermoplastic housing. The photodetector consists of a photodiode, amplifier, voltage regulator and Schmitt trigger with two output configurations. The user can choose from available options of totem pole (HOA7720-M22) or open collector (HOA7730-M22) output. The totem pole output is well suited for applications which require fast transition times. The open collector allows the output of the sensor to interface with circuit elements driven by supply voltages other than Vcc supply. The inverting logic provides a high output when the optical path is interrupted, and a low output when the path is clear. The infrared emitting diode is biased internally eliminating the need for any external circuitry. Interconnection is simplified through the use of an integral Molex three pin connector.

Both emitter and detector have a 0.020 in.(.508 mm) x 0.070 in.(1.78 mm) vertical aperture. The narrow aperture is ideal for use in applications in which maximum rejection of ambient light is important, and maximum position resolution is desired. The HOA7720/7730 series employ plastic molded components. For additional component information see SEP8506, SDP8014 and SDP8314.

Housing material is opaque polycarbonate. Housings are soluble in chlorinated hydrocarbons and ketones. Recommended cleaning agents are methanol and isopropanol.

### OUTLINE DIMENSIONS in inches (mm)

Tolerance 3 plc decimals ±0.010(0.25)  
2 plc decimals ±0.020(0.51)



DIM\_073.ds4

# HOA7720-M22

## Connectorized Transmissive Optoschmitt Sensor Totem-Pole Output

### ELECTRICAL CHARACTERISTICS (-40°C to +70°C unless otherwise noted)

PARAMETER	SYMBOL	MIN	TYP	MAX	UNITS	TEST CONDITIONS
Operating Supply Voltage	V <sub>CC</sub>	4.5	5.5		V	T <sub>A</sub> =25°C
Supply Current	I <sub>CC</sub>		40		mA	V <sub>CC</sub> =5.5 V
Low Level Output Voltage	V <sub>OL</sub>		0.4		V	V <sub>CC</sub> =4.5 V, I <sub>OL</sub> =12.8 mA
High Level Output Voltage	V <sub>OH</sub>	2.4			V	V <sub>CC</sub> =4.5 V, I <sub>OH</sub> =-800 µA <sup>(2)</sup>
Short Circuit Output Current	I <sub>OS</sub>	-20		-100	mA	V <sub>CC</sub> =5.25 V, Output=GND
Hysteresis <sup>(3)</sup>	HYST		50		%	
Propagation Delay, Low-High, High-Low	t <sub>PLH</sub> , t <sub>PHL</sub>		5		µs	V <sub>CC</sub> =5 V
Output Rise Time, Output Fall Time	t <sub>r</sub> , t <sub>f</sub>		70		ns	RL=8 TTL Loads

#### Notes

1. It is recommended that a bypass capacitor, 0.1 µF typical, be added between V<sub>CC</sub> and GND near the device in order to stabilize power supply line.
2. Output is HI when the optical path is interrupted.
3. Hysteresis is defined as the difference between the operating and release threshold intensities, expressed as a percentage of the operate threshold intensity.

### ABSOLUTE MAXIMUM RATINGS

(25°C Free-Air Temperature unless otherwise noted)

Operating Temperature Range	-40°C to 70°C
Storage Temperature Range	-40°C to 85°C
Power Dissipation	220 mW
Supply Voltage	5.5 V
Supply Current	40 mA
Low Level Output Current	12.8 mA
Duration of Output Short to V <sub>CC</sub> or Ground	1.0 sec

Honeywell reserves the right to make changes in order to improve design and supply the best products possible.

# Honeywell

# HOA7730-M22

## Connectorized Transmissive Optoschmitt Sensor Open-Collector Output

### ELECTRICAL CHARACTERISTICS (-40°C to +70°C unless otherwise noted)

PARAMETER	SYMBOL	MIN	TYP	MAX	UNITS	TEST CONDITIONS
Operating Supply Voltage	V <sub>CC</sub>	4.5	5.5		V	T <sub>A</sub> =25°C
Supply Current	I <sub>CC</sub>		40		mA	V <sub>CC</sub> =5.5 V
Low Level Output Voltage	V <sub>OL</sub>		0.4		V	V <sub>CC</sub> =4.5 V, I <sub>OL</sub> =12.8 mA
High Level Output Current	I <sub>OH</sub>		100		μA	V <sub>CC</sub> =5.5 V V <sub>OH</sub> =28 V
Hysteresis <sup>(3)</sup>	HYST		50		%	
Propagation Delay, Low-High, High-Low	t <sub>PLH</sub> , t <sub>PHL</sub>		5		μs	V <sub>CC</sub> =5 V
Output Rise Time, Output Fall Time	t <sub>r</sub> , t <sub>f</sub>		70		ns	R <sub>L</sub> =8 TTL Loads

#### Notes

1. It is recommended that a bypass capacitor, 0.1 μF typical, be added between V<sub>CC</sub> and GND near the device in order to stabilize power supply line.
2. Output is HI when the optical path is interrupted.
3. Hysteresis is defined as the difference between the operating and release threshold intensities, expressed as a percentage of the operate threshold intensity.

### ABSOLUTE MAXIMUM RATINGS

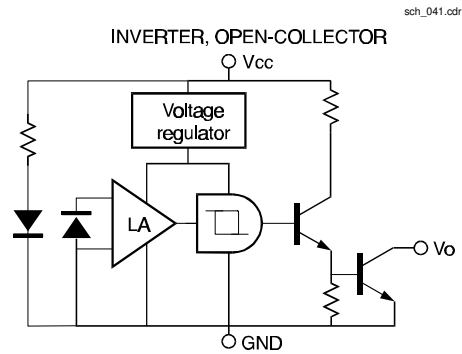
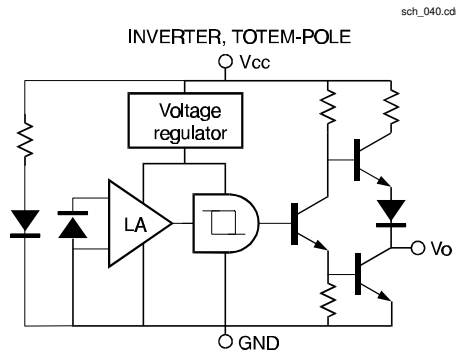
(25°C Free-Air Temperature unless otherwise noted)

Operating Temperature Range	-40°C to 70°C
Storage Temperature Range	-40°C to 85°C
Power Dissipation	220 mW
Supply Voltage	5.5 V
Supply Current	40 mA
Low Level Output Current	12.8 mA
Duration of Output Short to V <sub>CC</sub> or Ground	1.0 sec.
Applied Output Voltage	35 V

# HOA7720/7730

## Connectorized Transmissive Optoschmitt Sensor

### SCHEMATICS FOR HOA7720/7730



### SWITCHING WAVEFORM FOR INVERTERS

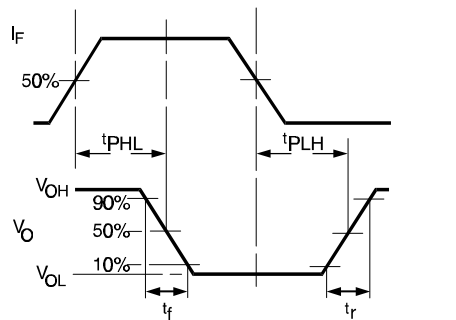


Fig. 1 Output Rise Time ( $t_r$ ) and Output Fall Time ( $t_f$ ) vs Temperature

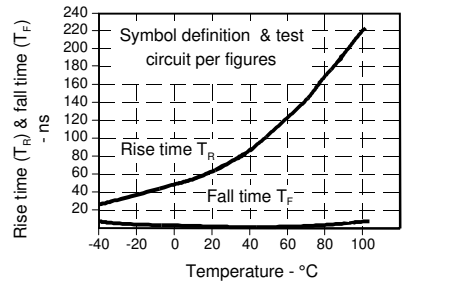
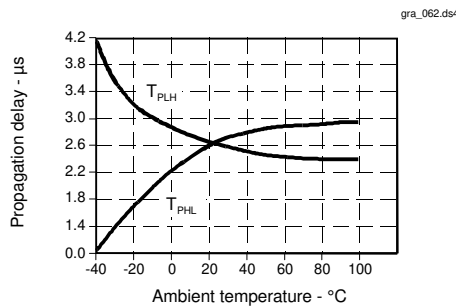


Fig. 2 Delay Time vs Temperature



All Performance Curves Show Typical Values

Honeywell reserves the right to make changes in order to improve design and supply the best products possible.

# Honeywell