



Chipsmall Limited consists of a professional team with an average of over 10 year of expertise in the distribution of electronic components. Based in Hongkong, we have already established firm and mutual-benefit business relationships with customers from,Europe,America and south Asia,supplying obsolete and hard-to-find components to meet their specific needs.

With the principle of “Quality Parts,Customers Priority,Honest Operation,and Considerate Service”,our business mainly focus on the distribution of electronic components. Line cards we deal with include Microchip,ALPS,ROHM,Xilinx,Pulse,ON,Everlight and Freescale. Main products comprise IC,Modules,Potentiometer,IC Socket,Relay,Connector.Our parts cover such applications as commercial,industrial, and automotives areas.

We are looking forward to setting up business relationship with you and hope to provide you with the best service and solution. Let us make a better world for our industry!



## Contact us

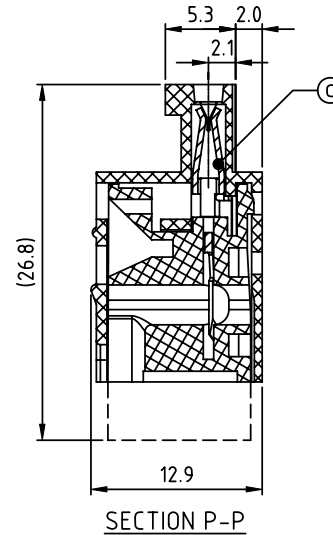
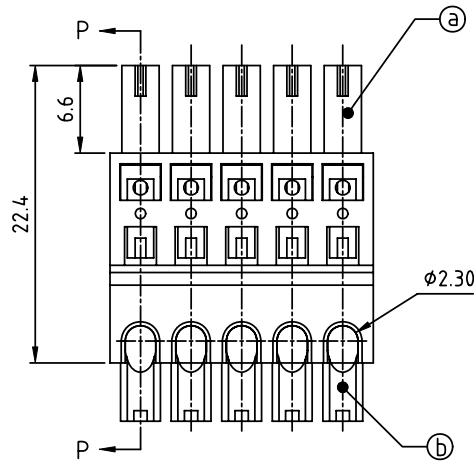
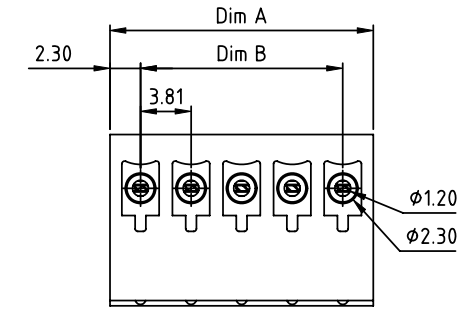
Tel: +86-755-8981 8866 Fax: +86-755-8427 6832

Email & Skype: info@chipsmall.com Web: www.chipsmall.com

Address: A1208, Overseas Decoration Building, #122 Zhenhua RD., Futian, Shenzhen, China



PRODUCT NUMBER	PITCH
HPxx30x000J0G	3.81 mm



Material:

- Item (a) Insulating body: Thermoplastic ( UL94V-0 )
- Item (b) Insulating lever: Thermoplastic ( UL94V-0 ) Orange(RAL 2011/P)
- Item (c) Female contact: PhBz ( CuSn ) Tin plated

Electrical: cULus

- Voltage rating:300V
- Current rating:5A
- Wire range:
- Solid wire(AWG):20-22
- Stranded wire(AWG):20-22
- Withstanding Voltage:1.6KV
- Operating temperature:-40°C to +115°C
- Safety Approval: cULus

N=Number of poles  
 Dim A=(N-1)x3.81+4.6  
 Dim B=(N-1)x3.81

Poles	Tolerance
2P-6P	±0.15
7P-12P	±0.20
13P-18P	±0.25
19P-24P	±0.30

PART NO.: HP xx 30 x 0 00J0 G

	Solid block	No. of poles	Color	RoHS compliant (lead<4%) In copper Alloy
0	Black (RAL9005)			
2	Red (RAL3001/D)	2 poles		
3	Orange(RAL2011/P)	3 poles		
4	Yellow(RAL1018/A)	...		
5	Green(RAL6018/T)	24 poles		
6	Blue (RAL5015/A)			
8	Grey(RAL7035/D)			
9	White(RAL1102)			
C	Green(RAL6018/U)			

mat'l. code		surface ASME Y14.5 ✓	tolerance ASME Y14.5	projection	product family
ltr	ecn no	dr	date	tolerances unless otherwise specified	TERMINAL BLOCK
				angles	title
				X°±1°	TERMINAL BLOCK
				scale	SPRING CLAMP, IDC TYPE, PLUGGABLE PLUG
				dr	dwg no
				enr	sheet 1 of 1
				chr	size
				appd	A4
					type
					CUSTOMER Drawing
sheet index	revision	A			
	sheet	1			