



Chipsmall Limited consists of a professional team with an average of over 10 year of expertise in the distribution of electronic components. Based in Hongkong, we have already established firm and mutual-benefit business relationships with customers from,Europe,America and south Asia,supplying obsolete and hard-to-find components to meet their specific needs.

With the principle of “Quality Parts,Customers Priority,Honest Operation,and Considerate Service”,our business mainly focus on the distribution of electronic components. Line cards we deal with include Microchip,ALPS,ROHM,Xilinx,Pulse,ON,Everlight and Freescale. Main products comprise IC,Modules,Potentiometer,IC Socket,Relay,Connector.Our parts cover such applications as commercial,industrial, and automotives areas.

We are looking forward to setting up business relationship with you and hope to provide you with the best service and solution. Let us make a better world for our industry!



Contact us

Tel: +86-755-8981 8866 Fax: +86-755-8427 6832

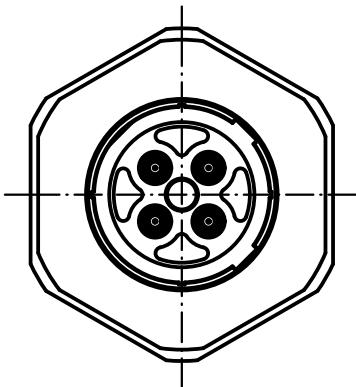
Email & Skype: info@chipsmall.com Web: www.chipsmall.com

Address: A1208, Overseas Decoration Building, #122 Zhenhua RD., Futian, Shenzhen, China

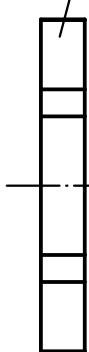


1 2 3 4 5 6

A



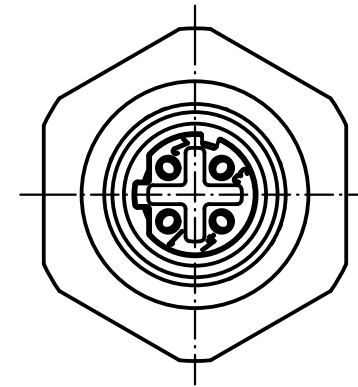
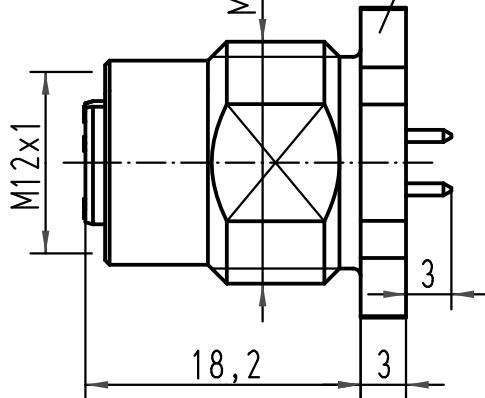
SW18/
width across flats 18



M12x1

M16x1,5

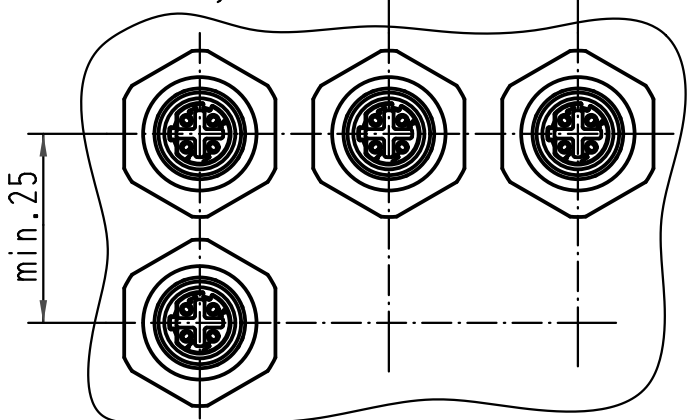
SW19/
width across flats 19



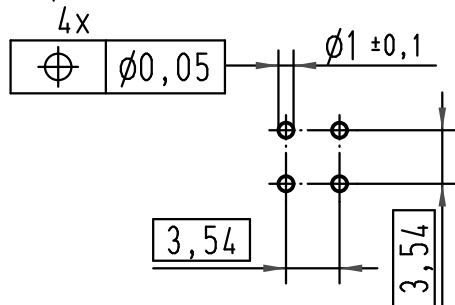
B

Steckverbinderanordnung/
connector layout

min.25

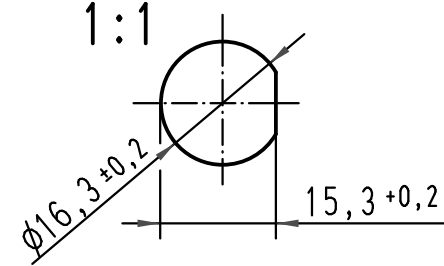


Leiterplatten Lochbild/ PCB Layout



Montageausschnitt/ Panel cut out

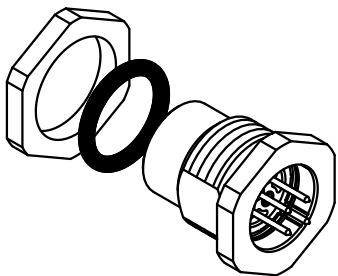
1:1



C

empfohlene Leiterplattendicke 1,6mm/recommended PCB thickness 1,6mm

D



All Dimensions in mm Original Size DIN A 4			Techn. Character.				Nicht tolerierte Maßel/Free size tolerances	
413598	11.02.08	DY		Dat.	Name	Maßstab/Scale 2:1 1:1	Wanddurchführung M12-F/ Panel feed through M12-F M16x1,5-4polig; M16x1,5-4poles	
413455	15.11.07	DY	Detail.	10.05.04	Ste			
412848	04.04.07	DY	Insp.		SR			
411530	21.03.05	DY	Stand.					
411392	06.01.05	Ste	HARTING Electric GmbH & Co. KG				TB 21 03 371 2402	
411031			D-32339 Espelkamp					
Mod.	Dat.	Name				Sub.	Blatt/ page	