



Chipsmall Limited consists of a professional team with an average of over 10 year of expertise in the distribution of electronic components. Based in Hongkong, we have already established firm and mutual-benefit business relationships with customers from,Europe,America and south Asia,supplying obsolete and hard-to-find components to meet their specific needs.

With the principle of “Quality Parts,Customers Priority,Honest Operation,and Considerate Service”,our business mainly focus on the distribution of electronic components. Line cards we deal with include Microchip,ALPS,ROHM,Xilinx,Pulse,ON,Everlight and Freescale. Main products comprise IC,Modules,Potentiometer,IC Socket,Relay,Connector.Our parts cover such applications as commercial,industrial, and automotives areas.

We are looking forward to setting up business relationship with you and hope to provide you with the best service and solution. Let us make a better world for our industry!



Contact us

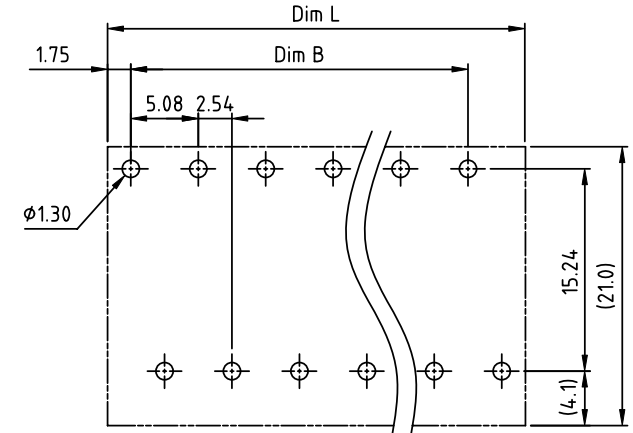
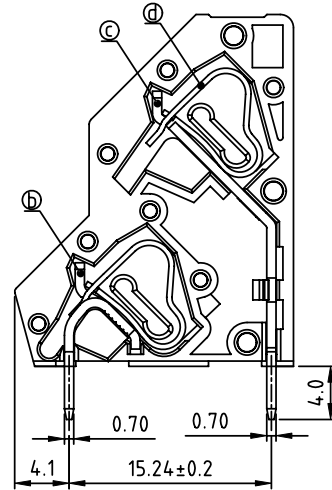
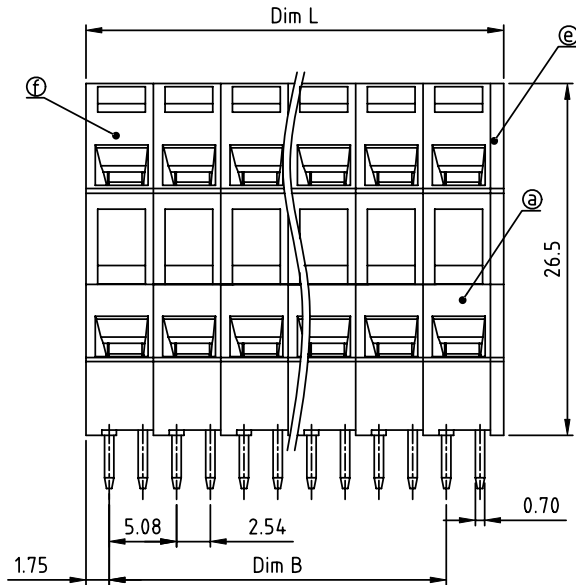
Tel: +86-755-8981 8866 Fax: +86-755-8427 6832

Email & Skype: info@chipsmall.com Web: www.chipsmall.com

Address: A1208, Overseas Decoration Building, #122 Zhenhua RD., Futian, Shenzhen, China



| | |
|----------------|--------|
| PRODUCT NUMBER | PITCH |
| HQxx30x100J0G | 5.08mm |



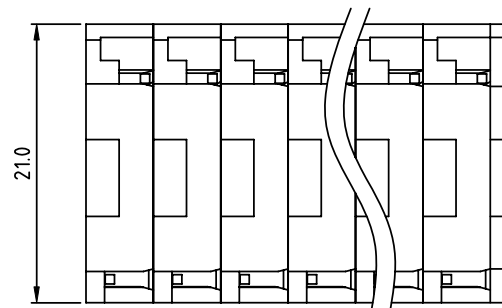
RECOMMENDED P.C.B LAYOUT
TOP VIEW

Material:

- Item (e) Terminal housing: Thermoplastic (UL94V-0)
- Item (d) Short pin: Brass, Tin plated
- Item (c) Long pin: Brass, Tin plated
- Item (b) Spring clamp: Stainless steel
- Item (a) Terminal cover: Thermoplastic (UL94V-0)
- Item (f) Terminal side housing: Thermoplastic(UL94V-0)

Electrical:

- Voltage rating: 300V
- Current rating: 10A
- Wire range:
- Solid wire(AWG): 12-28
- Stranded wire(AWG): 12-28
- Wire strip length: 5-6mm
- Withstanding Voltage: 1.6KV
- Operating temperature: -40°C to +115°C
- Soldering temperature: 260°C±5°C/5 Sec
- Safety Approval:



N=Number of poles
Dim L=N/2×5.08+1.0
Dim B=(N/2-1)×5.08

| Poles | Dim L | Dim B |
|-------------|-------|-------|
| 2×1p | ±0.10 | |
| 2×2p-2×6p | ±0.10 | ±0.10 |
| 2×7p-2×12p | ±0.15 | ±0.15 |
| 2×13p-2×18p | ±0.20 | ±0.20 |
| 2×19p-2×24p | ±0.30 | ±0.30 |

PART NO.: HQ xx 30 x 100J0 G

| No. of poles | Color | RoHS compliant (lead<4%) In copper Alloy |
|---------------|---------------------|--|
| 0 | Black (RAL9005) | |
| 2 | Red (RAL3001/D) | |
| 02 2x1 poles | 3 Orange(RAL2011/P) | |
| 04 2x2 poles | 4 Yellow(RAL1018/A) | |
| ... | 5 Green(RAL6018/T) | |
| 48 2x24 poles | 6 Blue (RAL5015/A) | |
| | 8 Grey(RAL7004/P) | |
| | 9 White(RAL1102) | |
| | C Multiple colors | |

| | | | | | |
|--------------------|----------------|---------------------------------------|----------------------|------------|---|
| mat'l. code | | surface ASME Y14.5 ✓ | tolerance ASME Y14.5 | projection | product family |
| ltr ecn no dr date | | tolerances unless otherwise specified | | | TERMINAL BLOCK |
| | | angles | X.±0.5 | MM | title |
| | | ± | X.X±0.3 | | TERMINAL BLOCK |
| | | X'±1" | X.XX±0.1 | scale | SPRING CLAMP, 4SD WIRE INLET, 2-LEVEL, INTERLACE TYPE |
| | | dr | EVIN ZHONG 052914 | | dwg no |
| | | enr | EVIN ZHONG 052914 | | sheet 1 of 1 |
| | | chr | HANKE FENG 052914 | | size |
| | | appd | SHI JUN 052914 | | A4 |
| sheet index | revision sheet | A | | | type CUSTOMER Drawing |