



Chipsmall Limited consists of a professional team with an average of over 10 year of expertise in the distribution of electronic components. Based in Hongkong, we have already established firm and mutual-benefit business relationships with customers from,Europe,America and south Asia,supplying obsolete and hard-to-find components to meet their specific needs.

With the principle of “Quality Parts,Customers Priority,Honest Operation,and Considerate Service”,our business mainly focus on the distribution of electronic components. Line cards we deal with include Microchip,ALPS,ROHM,Xilinx,Pulse,ON,Everlight and Freescale. Main products comprise IC,Modules,Potentiometer,IC Socket,Relay,Connector.Our parts cover such applications as commercial,industrial, and automotives areas.

We are looking forward to setting up business relationship with you and hope to provide you with the best service and solution. Let us make a better world for our industry!



Contact us

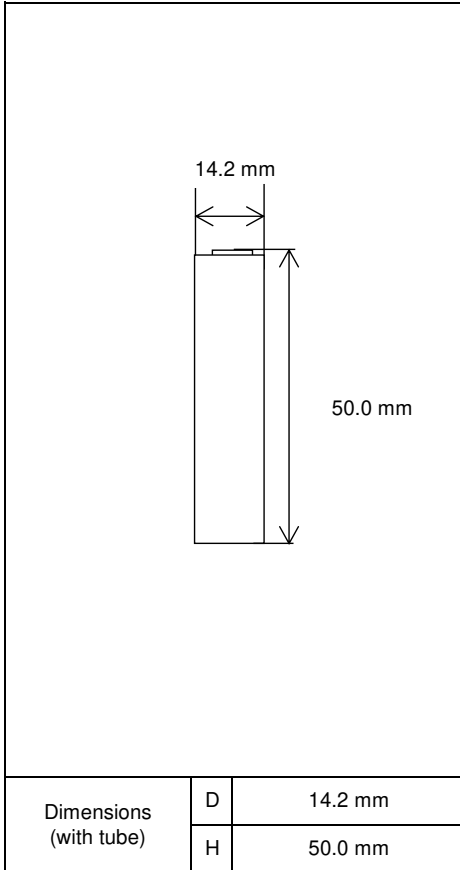
Tel: +86-755-8981 8866 Fax: +86-755-8427 6832

Email & Skype: info@chipsmall.com Web: www.chipsmall.com

Address: A1208, Overseas Decoration Building, #122 Zhenhua RD., Futian, Shenzhen, China



Specifications

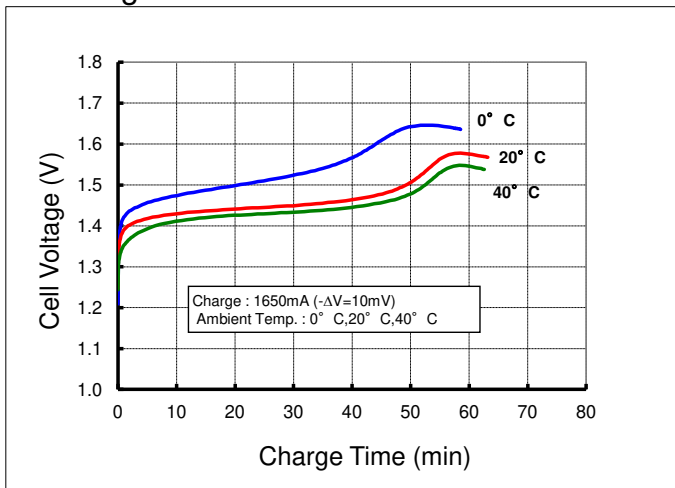


Type : Nickel-Metal Hydride Battery		Size : AA	
Capacity ¹⁾	Typical	1650mAh	
	Minimum	1500mAh	
Nominal Voltage		1.2V	
Charging Current x Time	Fast Charge ²⁾	1650 mA x about 1.1h	
Ambient Temp.	Charge Condition	Fast Charge ²⁾	
	Discharge Condition		
	Storage Condition	Less than 30days	0°C - 40°C
		Less than 90days	0°C - 50°C
Less than 1year		-20°C - 50°C	
Internal Impedance ³⁾ (after discharge to E.V.=1.0V)		Approx. 25mΩ (at 1000Hz)	
Weight ⁴⁾		Approx. 27 g	
Size ⁴⁾ : (Diameter) x (Height)		14.2(D) x 50.0(H) mm	

- 1) Single cell capacity under the following condition.
 Charge : 165mA×16h, Discharge : 330mA(E.V.=1.0V) at 20°C
 2) Use recommended charging system.
 3) After a few charge and discharge cycles under the above 1) condition.
 4) With tube.

Typical Characteristics

Charge



Discharge

