



Chipsmall Limited consists of a professional team with an average of over 10 year of expertise in the distribution of electronic components. Based in Hongkong, we have already established firm and mutual-benefit business relationships with customers from,Europe,America and south Asia,supplying obsolete and hard-to-find components to meet their specific needs.

With the principle of “Quality Parts,Customers Priority,Honest Operation,and Considerate Service”,our business mainly focus on the distribution of electronic components. Line cards we deal with include Microchip,ALPS,ROHM,Xilinx,Pulse,ON,Everlight and Freescale. Main products comprise IC,Modules,Potentiometer,IC Socket,Relay,Connector.Our parts cover such applications as commercial,industrial, and automotives areas.

We are looking forward to setting up business relationship with you and hope to provide you with the best service and solution. Let us make a better world for our industry!



Contact us

Tel: +86-755-8981 8866 Fax: +86-755-8427 6832

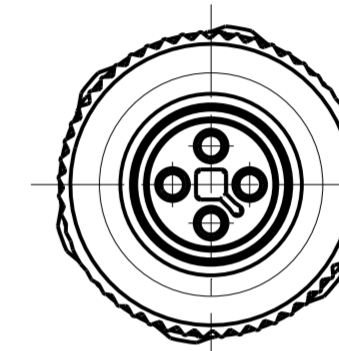
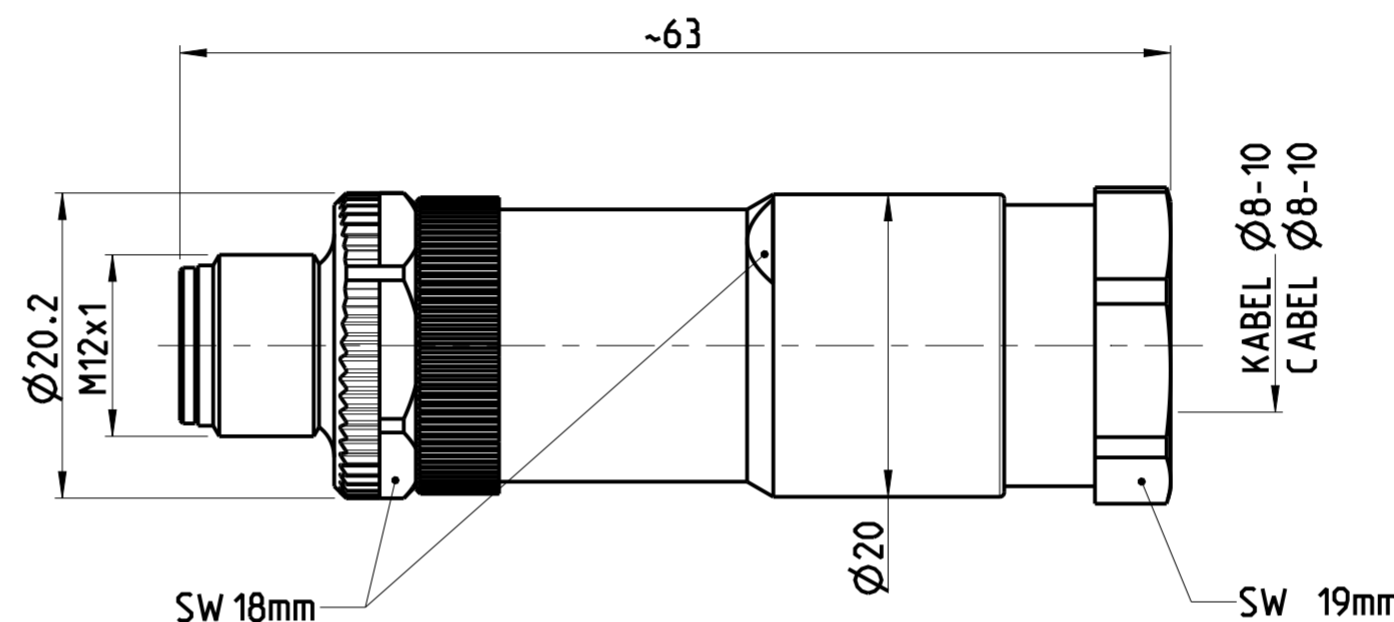
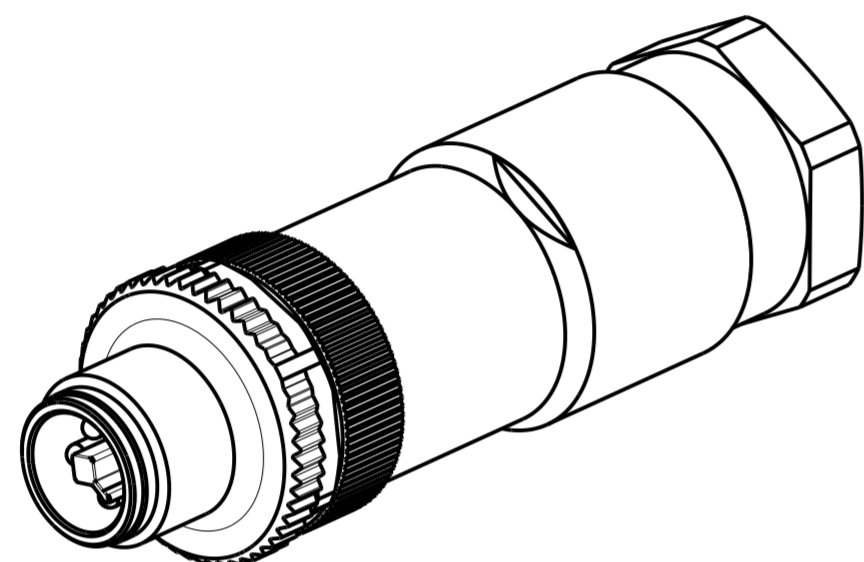
Email & Skype: info@chipsmall.com Web: www.chipsmall.com

Address: A1208, Overseas Decoration Building, #122 Zhenhua RD., Futian, Shenzhen, China



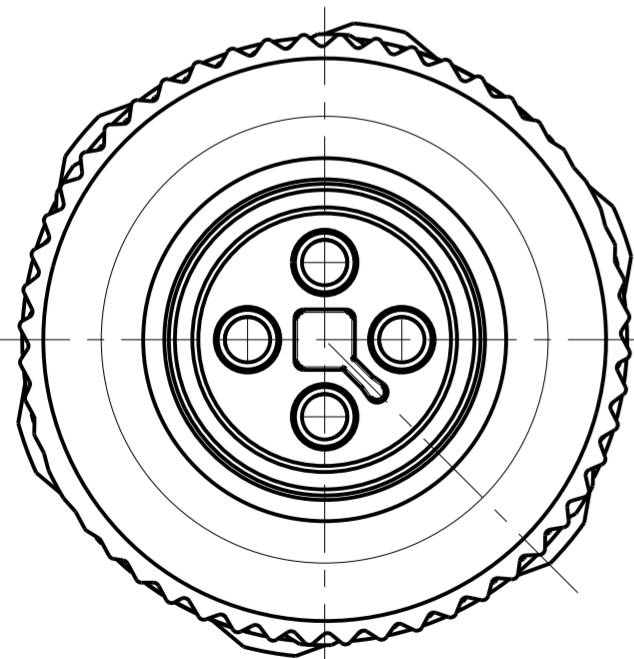
REVISIONS		DATE	DWN	APVD
ÄNDERUNGEN				
P	LTR	DESCRIPTION		
		BESCHREIBUNG		
A1		NEW DRAWING	24 JUN2014	YR CS

- 1 MATERIAL: ITEM NO. 1: HOUSING - PA
 ITEM NO. 2: CONTACT BODY - PA
 ITEM NO. 3: CONTACT - CuZn (brass)
 CONTACT FINISH - Au (gold)
- 2 ALL DIMENSIONS ARE FOR NOMINAL REFERENCE ONLY UNLESS OTHERWISE STATED
- 3 MEASUREMENT REFERENCE ONLY
- 4 PACKAGING: 1 PIECE IN A BAG



PIN ARRANGEMENT
T-CODING (SCALE 4:1)

0-2120949-1



TECHNICAL DATA		0-2120949-1
RATED VOLTAGE	60V	
RATED IMPULSE VOLTAGE	1500V	
POLLUTION DEGREE	3	
OVERVOLTAGE CATEGORY	III	
MATERIAL GROUP	III	
RATED CURRENT	12A	
VOLUME RESISTIVITY	≤ 3mΩ	
DEGREE OF PROTECTION	IP67	
UPPER TEMPERATURE	+85 °C	
LOWER TEMPERATURE	-40 °C	

8-10	16 / 1.50	⚠	4	0-2120949-1
CABLE FEED-THROUGH mm	WIRES AWG / mm ²	MATERIAL	NUMBER OF POLES	TE-PART-NO.

DIESE ZEICHNUNG IST EIN KONTROLLIERTES DOKUMENT. BEMASSUNGEN UND TOLERANZEN GEMAESS GPS (ISO STANDARDS).

THIS DRAWING IS A CONTROLLED DOCUMENT. DIMENSIONING AND TOLERANCING PER GPS (ISO STANDARDS).

DIMENSIONS: MASSE/WEITEN: (MM)	TOLERANCES UNLESS OTHERWISE SPECIFIED: ALLGEMEINTOLERANZEN	DWN YASHKUMAR 24 JUN2014
		CHK M.STRELOW 24 JUN2014
		APVD C.SCHREITLINGER 24 JUN2014
		NAME
		PRODUCT SPEC
		APPLICATION SPEC
		VERARBEITUNGSSPEZ.
MATERIAL	ANGLES/WINKEL	WEIGHT
	FINISH/OBERFLAECHE/FARBE	GEWICHT
		Customer Drawing

STE TE Connectivity

M12 MALE CONNECTOR, STRAIGHT, FIELD INSTALLABLE, POWER, T-CODED

SIZE	CAGE CODE	DRAWING NO. ZEICHNUNGS-NR.	RESTRICTED TO MUR FUER
A2	00779	0-2120949	-
SCALE MASSSTAB		SHEET BLATT	OF VON
2:1		1	1
REV		A1	

SIZE ISO 14405 (E)