



Chipsmall Limited consists of a professional team with an average of over 10 year of expertise in the distribution of electronic components. Based in Hongkong, we have already established firm and mutual-benefit business relationships with customers from,Europe,America and south Asia,supplying obsolete and hard-to-find components to meet their specific needs.

With the principle of "Quality Parts,Customers Priority,Honest Operation,and Considerate Service",our business mainly focus on the distribution of electronic components. Line cards we deal with include Microchip,ALPS,ROHM,Xilinx,Pulse,ON,Everlight and Freescale. Main products comprise IC,Modules,Potentiometer,IC Socket,Relay,Connector.Our parts cover such applications as commercial,industrial, and automotives areas.

We are looking forward to setting up business relationship with you and hope to provide you with the best service and solution. Let us make a better world for our industry!



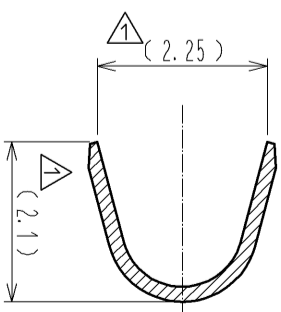
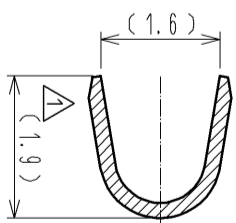
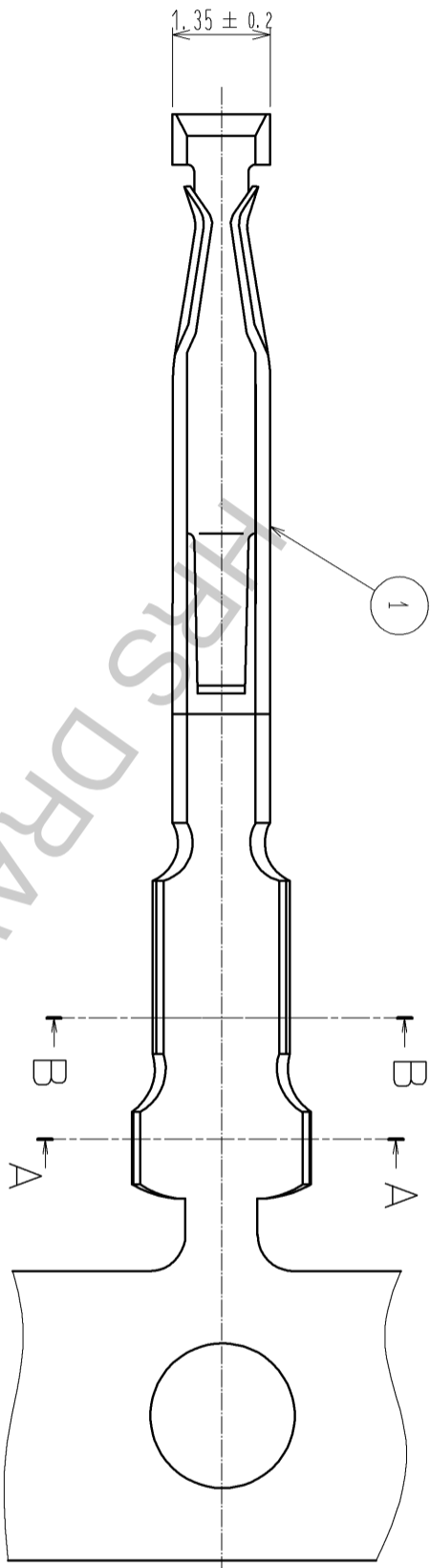
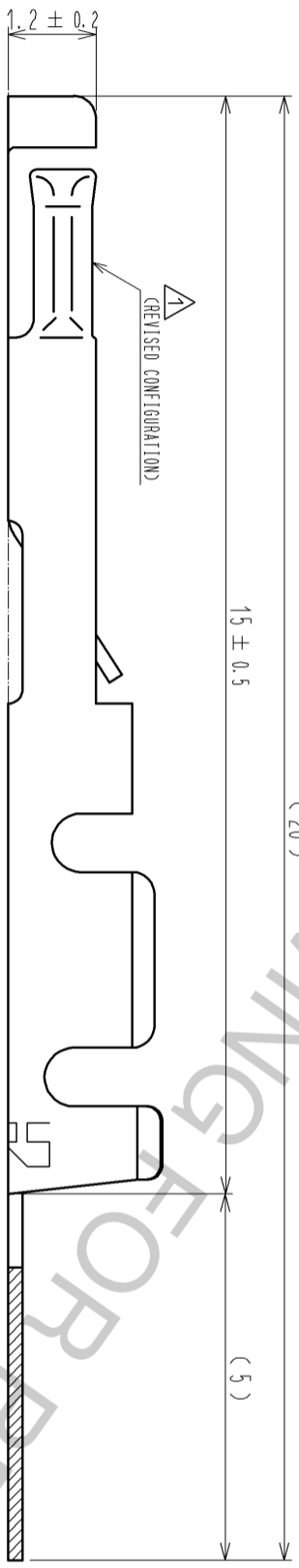
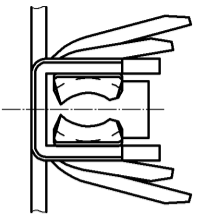
Contact us

Tel: +86-755-8981 8866 Fax: +86-755-8427 6832

Email & Skype: info@chipsmall.com Web: www.chipsmall.com

Address: A1208, Overseas Decoration Building, #122 Zhenhua RD., Futian, Shenzhen, China

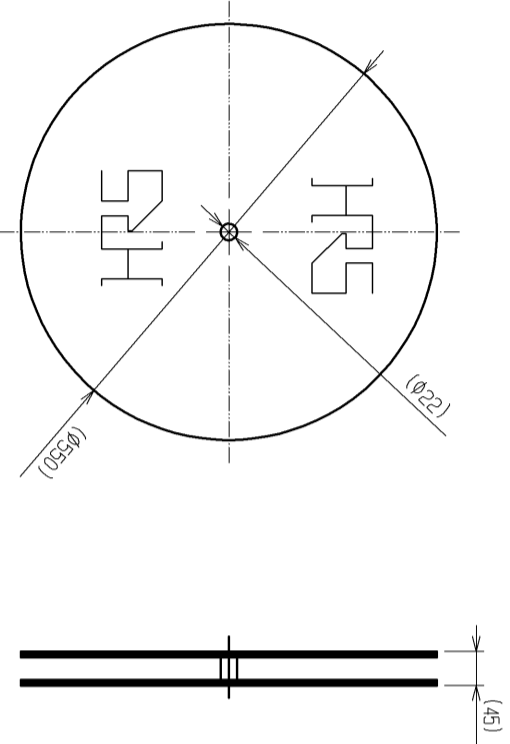




B-B

A-A

② REEL (1 : 10)



- NOTES
- ① THIS PRODUCT IS APPLY TO THE WIRE #20 TO #25(WIRE JACKET DIAMETER φ1.7 MAX.)
 - ② PER REEL:10000 CONTACTS.
 - ③ CONTACT AREA : GOLD PLATING 0.2μm min.
TERMINAL AREA : NICKEL PLATING 2μm min.
UNDER PLATING : NICKEL 2μm min.

1	PHOSPHOR BRONZE	③	FINISH . REMARKS	2	CARTON	(TERMINAL WINDING REEL)
NO.	MATERIAL	SCALE	COUNT	NO.	MATERIAL	FINISH . REMARKS
UNITS		10 : 1	5	DESCRIPTION OF REVISIONS	DESIGNED	CHECKED
mm				DIS-C-001336	DS.MATSUNE	SU.OBARA
				APPROVED : MO.SATO	08.11.12	DRAWING
				CHECKED : TH.KAMEYA	08.11.11	NO.
				DESIGNED : DS.MATSUNE	08.11.11	PART
				DRAWN : DS.MATSUNE	08.11.11	NO.
						CODE
						CL134-0050-4-00
						EDC3-116077-00
						HR34B-SC1-211
						09.06.17