



Chipsmall Limited consists of a professional team with an average of over 10 year of expertise in the distribution of electronic components. Based in Hongkong, we have already established firm and mutual-benefit business relationships with customers from,Europe,America and south Asia,supplying obsolete and hard-to-find components to meet their specific needs.

With the principle of "Quality Parts,Customers Priority,Honest Operation,and Considerate Service",our business mainly focus on the distribution of electronic components. Line cards we deal with include Microchip,ALPS,ROHM,Xilinx,Pulse,ON,Everlight and Freescale. Main products comprise IC,Modules,Potentiometer,IC Socket,Relay,Connector.Our parts cover such applications as commercial,industrial, and automotives areas.

We are looking forward to setting up business relationship with you and hope to provide you with the best service and solution. Let us make a better world for our industry!



## Contact us

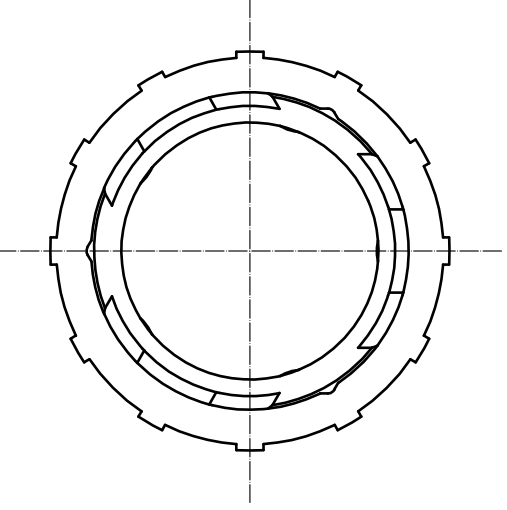
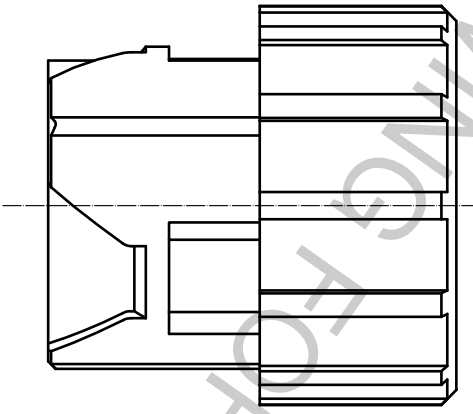
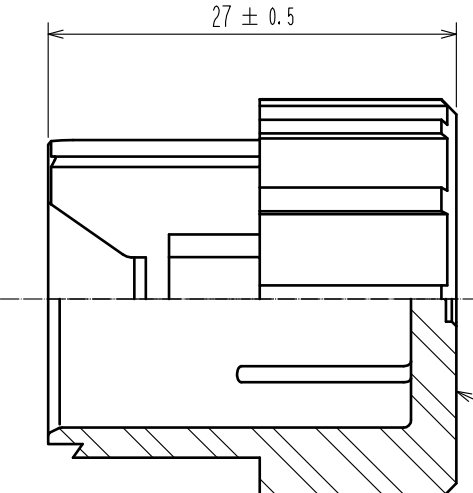
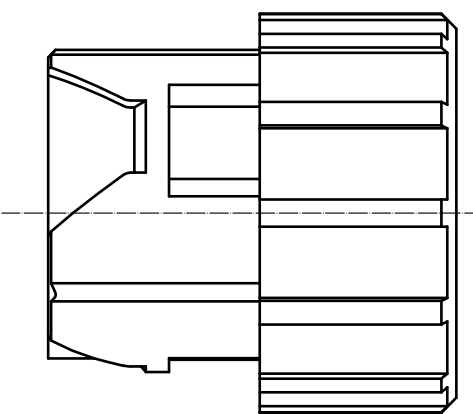
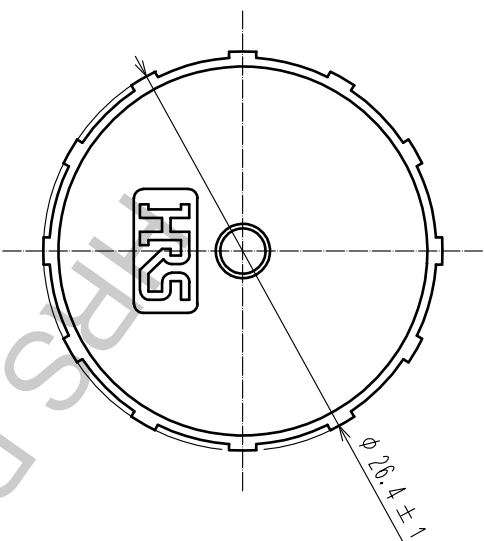
Tel: +86-755-8981 8866 Fax: +86-755-8427 6832

Email & Skype: info@chipsmall.com Web: www.chipsmall.com

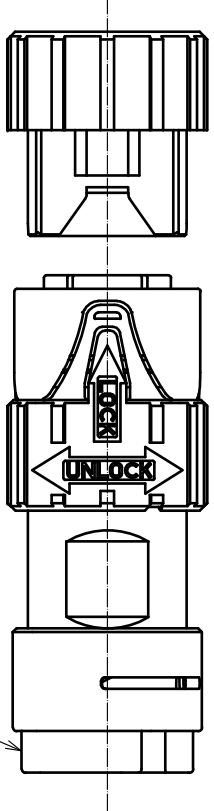
Address: A1208, Overseas Decoration Building, #122 Zhenhua RD., Futian, Shenzhen, China



FORM HC0011-5-7-AN

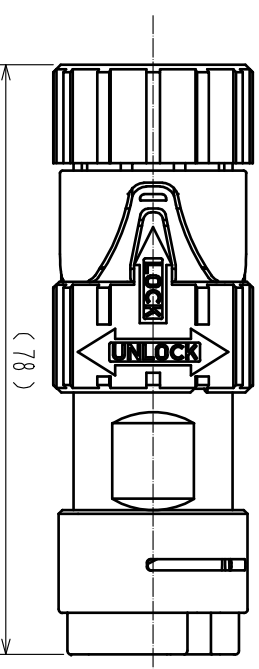


How to attach the cap  
Before attachment (1:1)  $\Delta$  Change in geometry



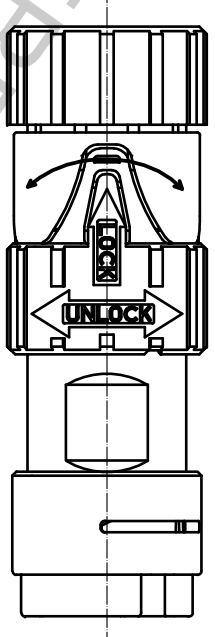
Attachment completed

Snap cap into plug until click sound is generated.

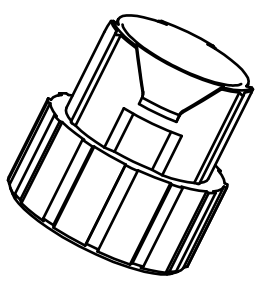


Removal

Rotate the plug sleeve to the direction as shown below with the arrow to unlock and remove the cap.  
Rotation angle : approx.  $20^\circ$  to  $40^\circ$   $\Delta$  (added)



Oblique drawing  $\Delta$  operation locks the cap again.  $\Delta$  (added)



1	PBT	Block\UL94V-0								
NO.	MATERIAL	FINISH . REMARKS	NO.	MATERIAL	FINISH . REMARKS					
UNITS		SCALE	COUNT	DESCRIPTION OF REVISIONS	CHECKED	DATE				
mm		2 : 1	2	DIS-C-00000068	HN. TANAKA	15. 01. 29				
		APPROVED : SU. OBARA	DRAWING NO.		EDC3-118455-00					
		CHECKED : HY. KOBAYASHI	PART NO.		HR41A-17WBP-C					
		DESIGNED : HN. TANAKA	CODE NO.		CL141-0219-1-00					
		DRAWN : HN. TANAKA	NO.							

FORM HC0011-5-7-AN