



Chipsmall Limited consists of a professional team with an average of over 10 year of expertise in the distribution of electronic components. Based in Hongkong, we have already established firm and mutual-benefit business relationships with customers from,Europe,America and south Asia,supplying obsolete and hard-to-find components to meet their specific needs.

With the principle of “Quality Parts,Customers Priority,Honest Operation,and Considerate Service”,our business mainly focus on the distribution of electronic components. Line cards we deal with include Microchip,ALPS,ROHM,Xilinx,Pulse,ON,Everlight and Freescale. Main products comprise IC,Modules,Potentiometer,IC Socket,Relay,Connector.Our parts cover such applications as commercial,industrial, and automotives areas.

We are looking forward to setting up business relationship with you and hope to provide you with the best service and solution. Let us make a better world for our industry!



Contact us

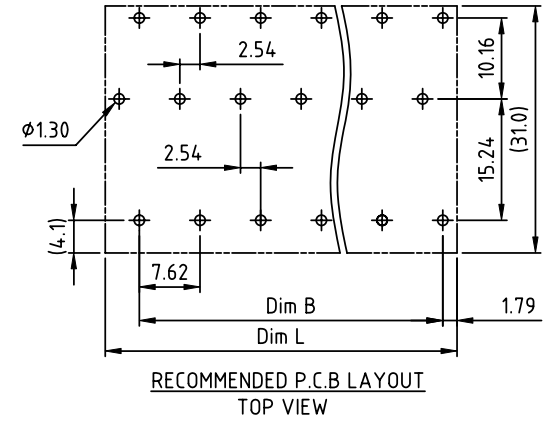
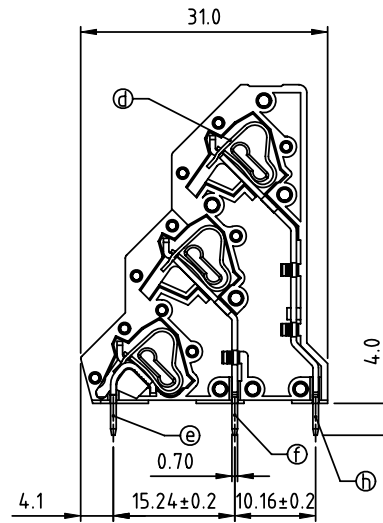
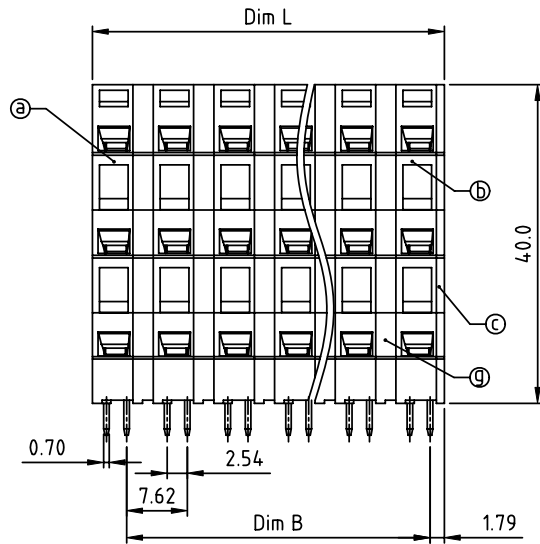
Tel: +86-755-8981 8866 Fax: +86-755-8427 6832

Email & Skype: info@chipsmall.com Web: www.chipsmall.com

Address: A1208, Overseas Decoration Building, #122 Zhenhua RD., Futian, Shenzhen, China



PRODUCT NUMBER	PITCH
HRxx50x100J0G	7.62mm

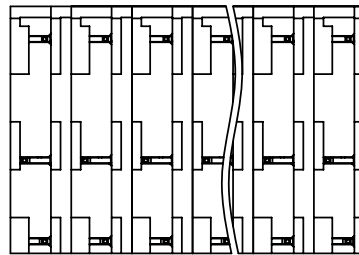


Material:

- ItemⒶ Terminal side housing: Thermoplastic (UL94V-0)
- ItemⒷ Terminal housing: Thermoplastic (UL94V-0)
- ItemⒸ Terminal cover: Thermoplastic (UL94V-0)
- ItemⒹ Spring clamp: Stainless steel
- ItemⒺ Short pin: Brass, Tin plated
- ItemⒻ Middle pin: Brass, Tin plated
- ItemⒼ Long pin: Brass, Tin plated

Electrical:

- Voltage rating: 300V
- Current rating: 10A
- Wire range:
 - Solid wire(AWG): 12-28
 - Stranded wire(AWG): 12-28
 - Wire strip length: 5-6mm
- Withstanding Voltage: 1.6KV
- Operating temperature: -40°C to +115°C
- Soldering temperature: 260°C±5°C/5 Sec
- Safety Approval: cULus



N=Number of poles
 $Dim L = (N/3 - 1) \times 7.62 + 6.08$
 $Dim B = (N/3 - 1) \times 7.62$

Poles	Dim L	Dim B
3x2p-3x4p	±0.10	±0.10
3x5p-3x8p	±0.15	±0.15
3x9p-3x12p	±0.20	±0.20
3x13p-3x16p	±0.30	±0.30

PART NO.: HR xx 50 x 100J0 G

No. of poles	Color	RoHS compliant
0	Black (RAL9005)	(lead<4%)
06	Red (RAL3001/D)	In copper Alloy
09	3x2 poles	
09	3x3 poles	
...	...	
48	3x16 poles	
5	Green(RAL6018/T)	
6	Blue (RAL5015/A)	
8	Grey(RAL7004/P)	
9	White(RAL1102)	
C	Multiple colors	

mat'l. code		surface ASME Y14.5	tolerance ASME Y14.5	projection	product family
ltr	ecn no	dr	date		TERMINAL BLOCK
tolerances unless otherwise specified				MM	title
angles				MM	TERMINAL BLOCK
X±0.5				scale	SPRING CLAMP, 45D WIRE INLET, 3-LEVEL, INTERLACE TYPE
X.X±0.3					dwg no
X'±1"					sheet 1 of 1
dr EVIN ZHONG 053014					size
enr EVIN ZHONG 053014					A4
chr HANKE FENG 053014					HRxx50x100J0G
appd SHI JUN 053014					type
					CUSTOMER Drawing
sheet index	revision	A	1		