



Chipsmall Limited consists of a professional team with an average of over 10 year of expertise in the distribution of electronic components. Based in Hongkong, we have already established firm and mutual-benefit business relationships with customers from,Europe,America and south Asia,supplying obsolete and hard-to-find components to meet their specific needs.

With the principle of “Quality Parts,Customers Priority,Honest Operation,and Considerate Service”,our business mainly focus on the distribution of electronic components. Line cards we deal with include Microchip,ALPS,ROHM,Xilinx,Pulse,ON,Everlight and Freescale. Main products comprise IC,Modules,Potentiometer,IC Socket,Relay,Connector.Our parts cover such applications as commercial,industrial, and automotives areas.

We are looking forward to setting up business relationship with you and hope to provide you with the best service and solution. Let us make a better world for our industry!



## Contact us

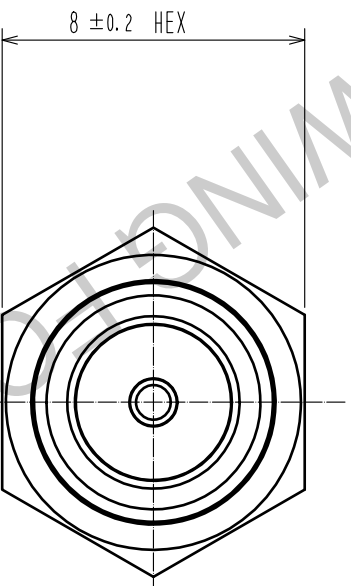
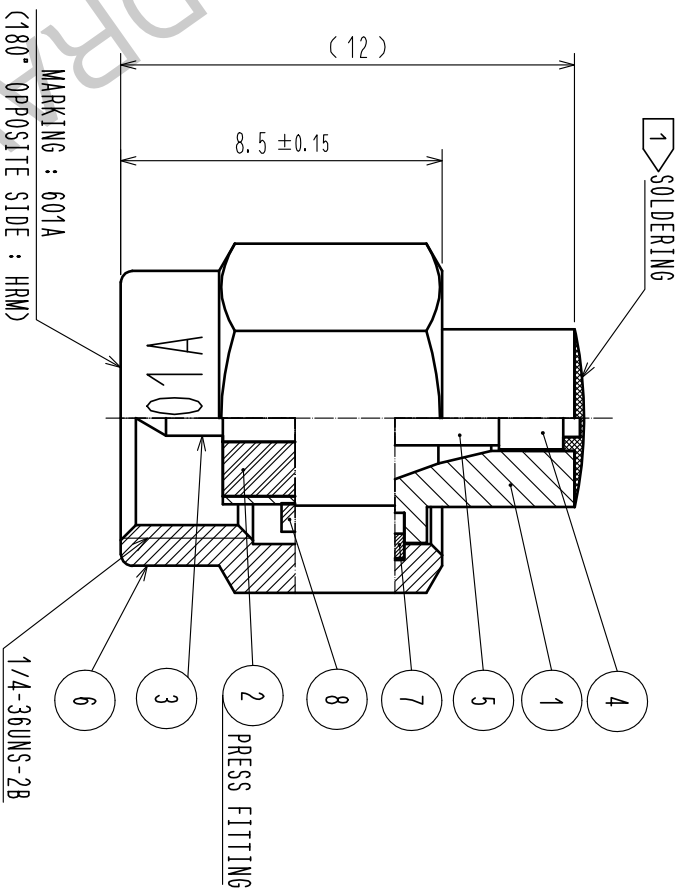
Tel: +86-755-8981 8866 Fax: +86-755-8427 6832

Email & Skype: info@chipsmall.com Web: www.chipsmall.com

Address: A1208, Overseas Decoration Building, #122 Zhenhua RD., Futian, Shenzhen, China



Redraw



NOTE 1 Lead-free solder of Sn3Ag0.5Cu is used.

ROHS COMPLIANT

4	BRASS	GOLD PLATING	8	SILICONE RUBBER (RED)		
3	BRASS	GOLD PLATING	7	BERYLLIUM COPPER	NICKEL PLATING	
2	PTFE		6	STAINLESS STEEL	PASSIVATED	
1	STAINLESS STEEL	NICKEL PLATING	5	RESISTANCE	50Ω	
NO.	MATERIAL	FINISH . REMARKS	NO.	MATERIAL	FINISH . REMARKS	

UNITS	SCALE	COUNT	DESCRIPTION OF REVISIONS	DESIGNED	CHECKED	DATE
mm	5 : 1	1	DIS-D-00000641	TO. KATAYAMA	KY. SHIMIZU	15.11.02
APPROVED : KY. SHIMIZU		DRAWING NO.		EDC-030012-50-50		
CHECKED : TO. KATAYAMA		PART NO.		HRM-601A(50)		
DESIGNED : YI. FUNADA		CODE NO.		CL353-0017-3-50		
DRAWN : YI. FUNADA						

**HRS** HIROSE ELECTRIC CO., LTD.