



Chipsmall Limited consists of a professional team with an average of over 10 year of expertise in the distribution of electronic components. Based in Hongkong, we have already established firm and mutual-benefit business relationships with customers from,Europe,America and south Asia,supplying obsolete and hard-to-find components to meet their specific needs.

With the principle of “Quality Parts,Customers Priority,Honest Operation,and Considerate Service”,our business mainly focus on the distribution of electronic components. Line cards we deal with include Microchip,ALPS,ROHM,Xilinx,Pulse,ON,Everlight and Freescale. Main products comprise IC,Modules,Potentiometer,IC Socket,Relay,Connector.Our parts cover such applications as commercial,industrial, and automotives areas.

We are looking forward to setting up business relationship with you and hope to provide you with the best service and solution. Let us make a better world for our industry!



## Contact us

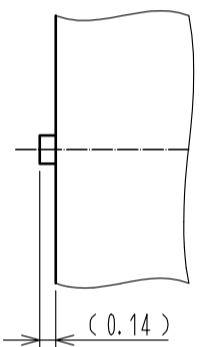
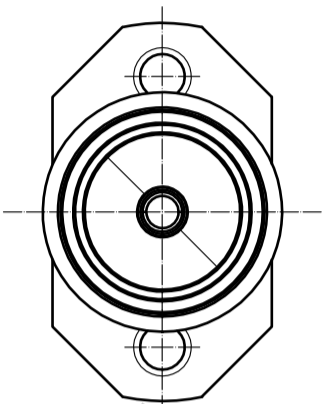
Tel: +86-755-8981 8866 Fax: +86-755-8427 6832

Email & Skype: info@chipsmall.com Web: www.chipsmall.com

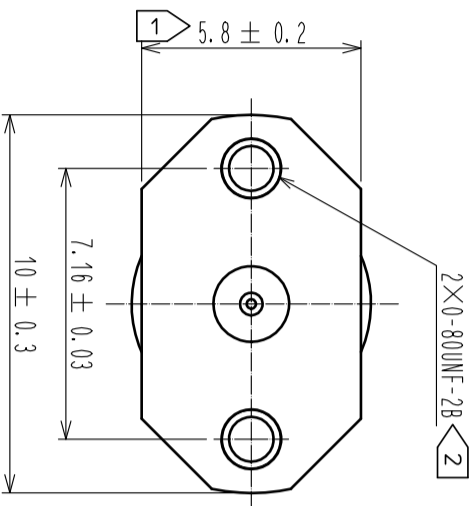
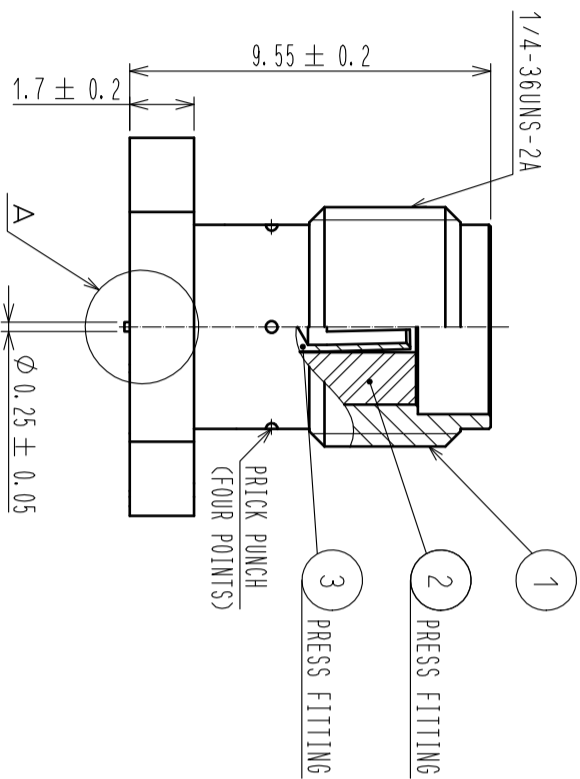
Address: A1208, Overseas Decoration Building, #122 Zhenhua RD., Futian, Shenzhen, China



Unified screw thread type

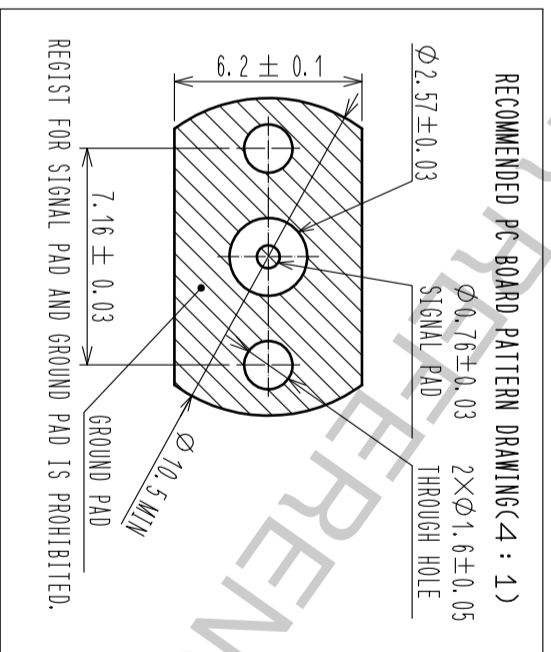
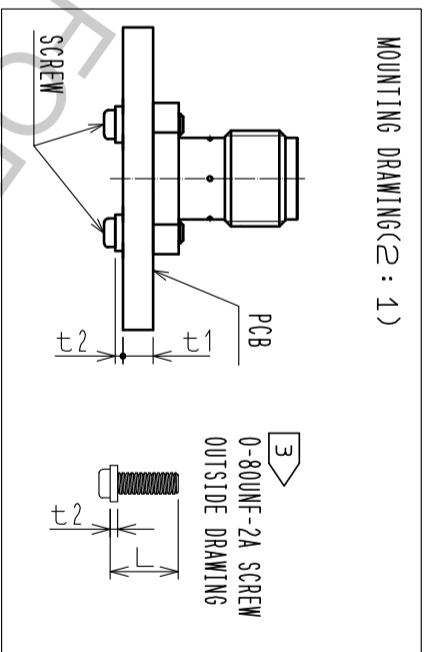


A(10:1)



- NOTES
- 1 WHEN THE MATING CONNECTOR, PLEASE HOLD MILLING AREA OF 5.8±0.2 WITH A WRENCH.
  - 2 0-80UNF-2B SCREW TIGHTENING TORQUE IS 0.09N · m.
  - 3 PLEASE USE A PCB MOUNTING SCREW OF THE LENGTH OF L(mm). THE LENGTH OF L(mm) IS PCB THICKNESS t1(mm) + SPRING WASHER THICKNESS t2(mm) + 2(mm). PLEASE USE A SCREW WITH SPRING WASHER.

MOUNTING DRAWING(2:1)



ROHS COMPLIANT

2	PTFE	GOLD PLATING	3	BERYLLIUM COPPER	GOLD PLATING
1	BRASS				
MATERIAL		FINISH . REMARKS		FINISH . REMARKS	
UNITS	SCALE	COUNT	DESCRIPTION OF REVISIONS	DESIGNED	CHECKED
mm	5 : 1	2	DIS-D-00001227	YI. FUNADA	MH. TSUCHIDA
Approved : MH. YAMANE		12.02.10		DRAWING	
Checked : MH. TSUCHIDA		12.02.10		PART	
Designed : RO. YOKOYAMA		12.02.10		NO.	
DRAWN : RO. YOKOYAMA		12.02.10		CODE	
				CL323-0924-8-00	
				A/1	