



Chipsmall Limited consists of a professional team with an average of over 10 year of expertise in the distribution of electronic components. Based in Hongkong, we have already established firm and mutual-benefit business relationships with customers from,Europe,America and south Asia,supplying obsolete and hard-to-find components to meet their specific needs.

With the principle of “Quality Parts,Customers Priority,Honest Operation,and Considerate Service”,our business mainly focus on the distribution of electronic components. Line cards we deal with include Microchip,ALPS,ROHM,Xilinx,Pulse,ON,Everlight and Freescale. Main products comprise IC,Modules,Potentiometer,IC Socket,Relay,Connector.Our parts cover such applications as commercial,industrial, and automotives areas.

We are looking forward to setting up business relationship with you and hope to provide you with the best service and solution. Let us make a better world for our industry!



## Contact us

Tel: +86-755-8981 8866 Fax: +86-755-8427 6832

Email & Skype: info@chipsmall.com Web: www.chipsmall.com

Address: A1208, Overseas Decoration Building, #122 Zhenhua RD., Futian, Shenzhen, China



# SMA Reverse Coaxial Connector Up to 26.5GHz

## SMA(R) Series



### Features

#### 1. Excellent high-frequency performance

Equivalent to perform same characteristics as Hirose HRM series which is Japan's first SMA. Conforming to FCC Standard (Part15 47 CFR 15.203\*)

#### 2. Small size / Light weight / Robust

#### 3. Wide variation

Various SMA and FL conversion Adapters are available. Assembly with FL series is available.

### Applications

Wi-Fi equipment, Gaming machine, Measurement instrument and other equipment's inter connection which need special interface.

### Product Specifications

Ratings	Nominal characteristic impedance	50 $\Omega$	Operating Temperature Range	-55°C to +125°C
	Rated frequency	0 to 26.5GHz	Storage Temperature Range	95% RH or less

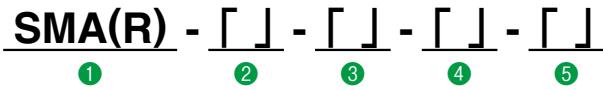
Items	Specifications		Conditions			
1. Contact resistance	SMA (R) -300-126B	HRMJ-SMA (R) P	Measured at less than 100mA DC			
	Center : Less than 6m $\Omega$	Center : Less than 8m $\Omega$				
	External : Less than 6m $\Omega$	External : Less than 8m $\Omega$				
2. Withstanding voltage	No flashover or breakdown		1000V AC for 1 minute			
3. Insulation resistance	5000M $\Omega$ min.		Measured at 500V DC			
4. Moisture resistance of temperature/humidity cycle	SMA (R) -300-126B	HRMJ-SMA (R) P	Left for 10 cycles (240 hours) in an environment with the temperature ranging from +25 to +65°C and the humidity ranging from 90 to 98%.			
	Insulation resistance : More than 100M $\Omega$ (in a high humidity environment) Insulation resistance : More than 5000M $\Omega$ (in a dry environment)	Insulation resistance : More than 100M $\Omega$ (in a high humidity environment) Insulation resistance : More than 1000M $\Omega$ (in a dry environment)				
5. Temperature cycle	No broken, cracked or loose parts		Temperature : 5 cycles for a series of time periods : -65°C for 30 minutes → +125°C for 30 minutes			
6. Salt spray	SMA (R) -300-126B	HRMJ-SMA (R) P	Continuous 48 hour in 5% salt water solution			
	VSWR : Less than 1.3	VSWR : Less than 1.4			0 to 3GHz	0 to 26.5GHz
	VSWR : Less than 1.5				3GHz to 6GHz	
7. Mating Cycles	SMA (R) -300-126B	HRMJ-SMA (R) P	SMA (R) -300-126B	HRMJ-SMA (R) P		
	Center : Less than 8m $\Omega$ External : Less than 8m $\Omega$	Center : Less than 12m $\Omega$ External : Less than 12m $\Omega$	500 cycles	1000 cycles		
8. V.S.W.R.	SMA (R) -300-126B	HRMJ-SMA (R) P	SMA (R) -300-126B	HRMJ-SMA (R) P		
	VSWR : Less than 1.3	VSWR : Less than 1.25	0 to 3GHz	0 to 12.4GHz		
	VSWR : Less than 1.5	VSWR : Less than 1.3	3GHz to 6GHz	12.4GHz to 18GHz		
		VSWR : Less than 1.4	—	18GHz to 26.5GHz		

### Materials / Finish

Part	Materials	Finish
Shell	Receptacle	Brass Gold plated
	Plug, Shell	Stainless steel Gold plated, Passivated
Contact	Male contact	Brass Gold plated
	Female contact	Beryllium copper Gold plated
Insulator	PTFE (resin)	—

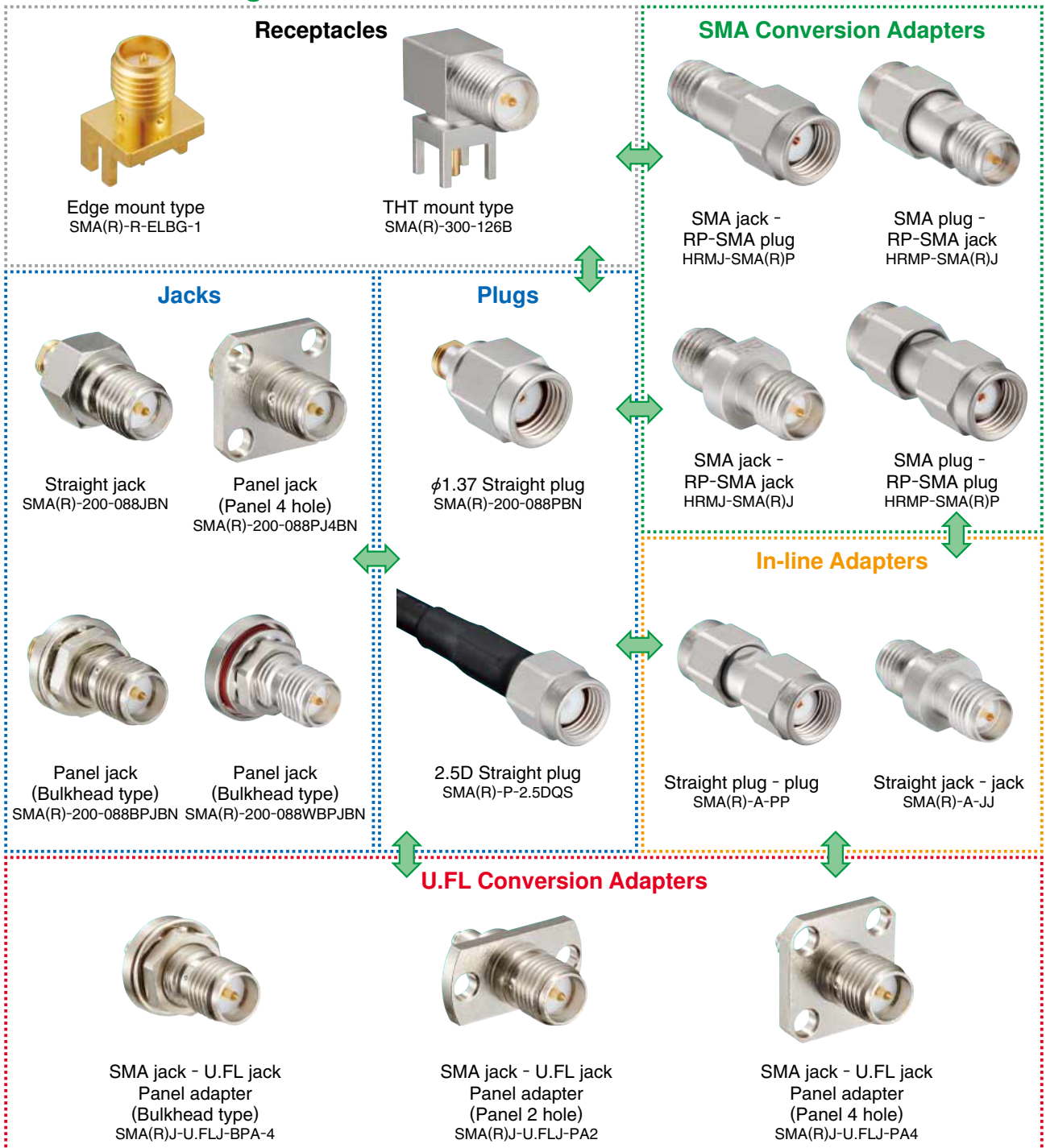
**Product Number Structure**

Refer to the chart below when determining the product specifications from the product number. Please select from the product numbers listed in this catalog when placing orders.



<b>① Series name</b> Plug / Receptacle : SMA(R) Adapters, harnesses which connect to HRM : HRM Other adapters and harnesses : SMA(R), SMAR	<b>③ Serial number / Cable type</b> Plug / Receptacle : One to three digits Harness : 066 / 068
<b>② Connector type</b> Plug / Receptacle : 200 : Flexible cable 300 : Receptacle Adapters, harnesses which connect to HRM : SMA(R), SMAR Other adapters and harnesses : U.FL / BPJ	<b>④ Cable length identification code</b> Harness : A
	<b>⑤ Cable length</b> Harness : One to three digits

**Functional diagram**

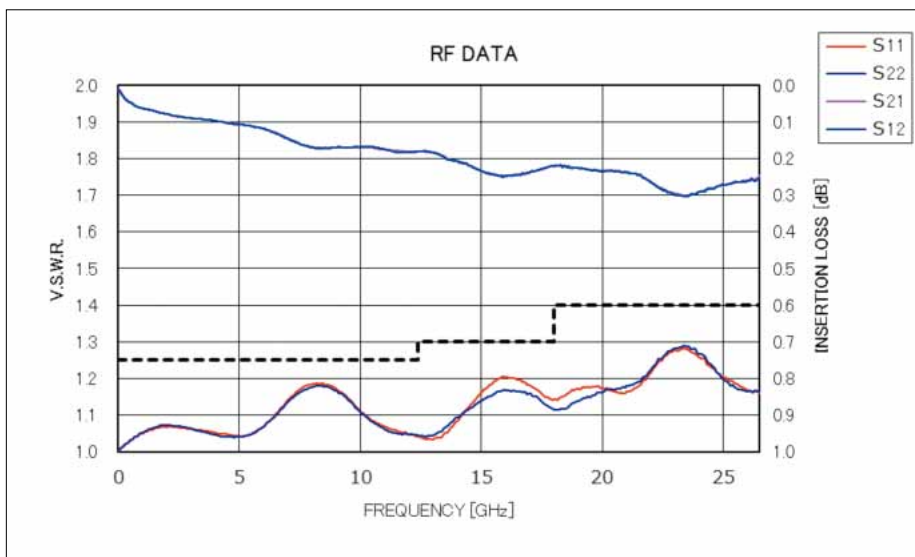
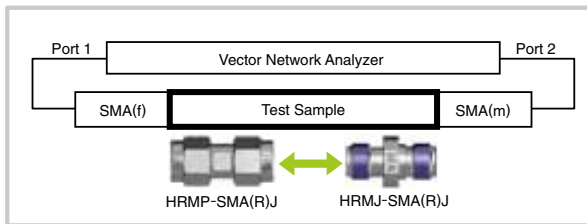


Aug.1.2018 Copyright 2018 HIROSE ELECTRIC CO., LTD. All Rights Reserved.

## High-frequency characteristic

Connector combination for the measurement.

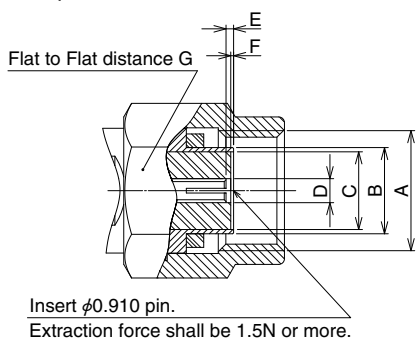
(Straight adapter SMA Plug - PR-SMA Plug and SMA Jack - RP-SMA Jack)



## Dimensions

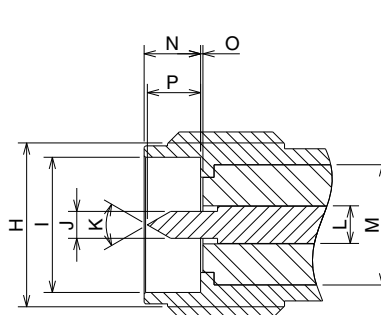
### Plug openings

Shape 1



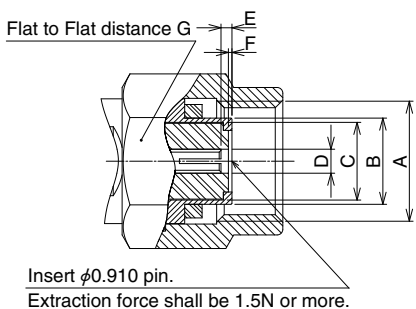
Symbol	Dimensions	
	Shape1	Shape2
A	1/4-36UNS-2B	
B	$\phi 4.56$	
C	$\phi 4.11$	
D	$\phi 1.27$	
E	0.13	0.58
F	0.08	
G	8	

### Jack openings



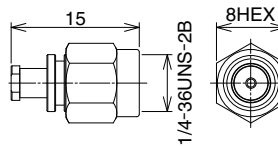
Symbol	Dimensions
H	1/4-36UNS-2A
I	$\phi 4.62$
J	$\phi 0.92$
K	60°
L	$\phi 1.27$
M	$\phi 4.11$
N	1.93
O	0.08
P	1.8

Shape 2



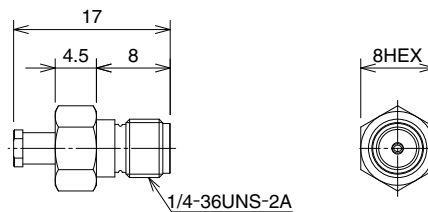
## Ultra - fine Coaxial Cable (6GHz)

### ● Straight plug



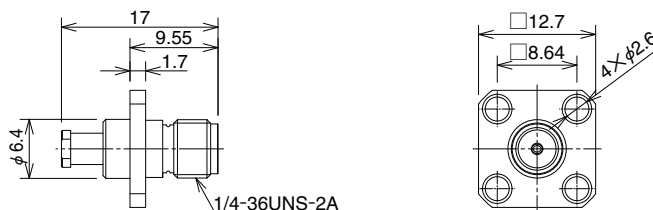
Part No.	HRS No.	Applicable Cable
SMA(R)-200-040PBN	323-0925-0	$\phi$ 0.81
SMA(R)-200-066PBN	323-0930-0	$\phi$ 1.13, $\phi$ 1.32
SMA(R)-200-088PBN	323-0905-3	$\phi$ 1.37, $\phi$ 1.48

### ● Straight jack



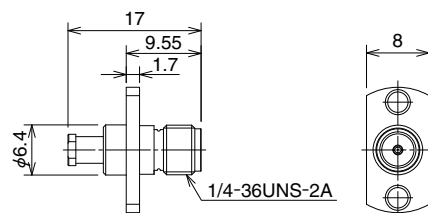
Part No.	HRS No.	Applicable Cable
SMA(R)-200-040JBN	323-0926-3	$\phi$ 0.81
SMA(R)-200-066JBN	323-0931-3	$\phi$ 1.13, $\phi$ 1.32
SMA(R)-200-088JBN	323-0904-0	$\phi$ 1.37, $\phi$ 1.48

### ● Panel jack (4 hole type)



Part No.	HRS No.	Applicable Cable
SMA(R)-200-040PJ4BN	323-0928-9	$\phi$ 0.81
SMA(R)-200-066PJ4BN	323-0932-6	$\phi$ 1.13, $\phi$ 1.32
SMA(R)-200-088PJ4BN	323-0934-1	$\phi$ 1.37, $\phi$ 1.48

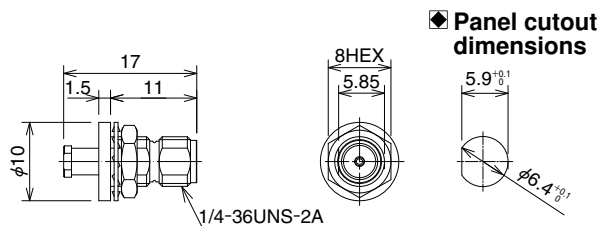
### ● Panel jack (2 hole type)



Part No.	HRS No.	Applicable Cable
SMA(R)-200-040PJ2BN	323-0929-1	$\phi$ 0.81
SMA(R)-200-066PJ2BN	323-0933-9	$\phi$ 1.13, $\phi$ 1.32
SMA(R)-200-088PJ2BN	323-0935-4	$\phi$ 1.37, $\phi$ 1.48

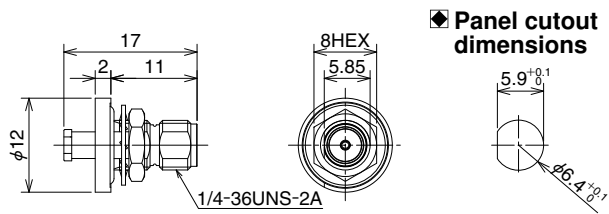
**Ultra - fine Coaxial Cable (6GHz)**

● Panel jack (Bulkhead type)



Part No.	HRS No.	Applicable Cable
SMA(R)-200-040BPJBN	323-0927-6	$\phi$ 0.81
SMA(R)-200-066BPJBN	323-0902-5	$\phi$ 1.13, $\phi$ 1.32
SMA(R)-200-088BPJBN	323-0901-2	$\phi$ 1.37, $\phi$ 1.48

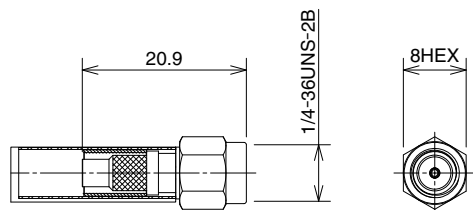
● Panel jack (Bulkhead type / Waterproof)



Part No.	HRS No.	Applicable Cable
SMA(R)-200-040WBPJBN	323-0947-3	$\phi$ 0.81
SMA(R)-200-066WBPJBN	323-0948-6	$\phi$ 1.13, $\phi$ 1.32
SMA(R)-200-088WBPJBN	323-0949-9	$\phi$ 1.37, $\phi$ 1.48

**Straight plug**

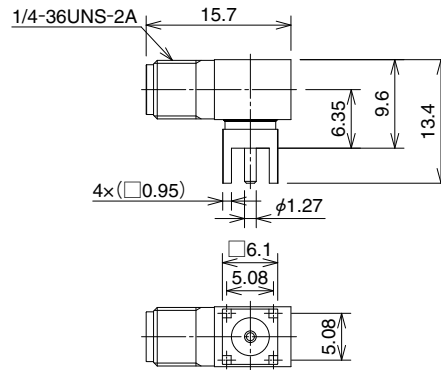
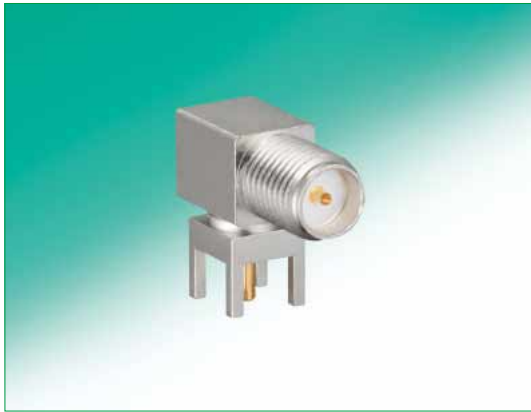
● Flexible cable



Part No.	HRS No.	Applicable Cable
SMA(R)-P-2.5DQS	323-0875-4	2.5D-HQ SUPER

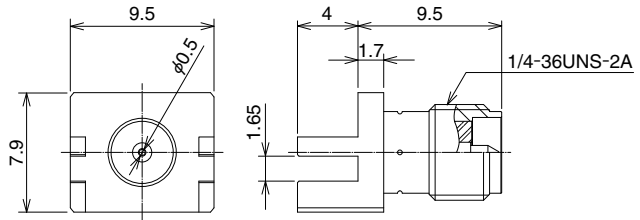
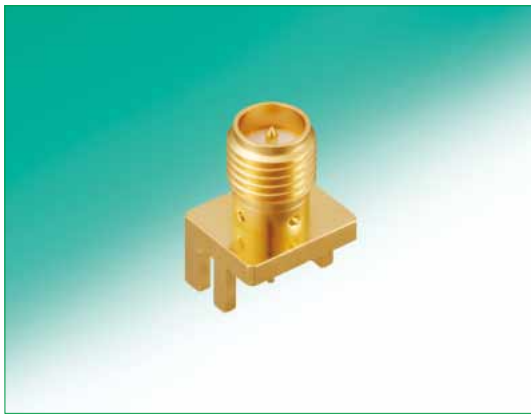
### Receptacles

#### ● Right angle receptacle (THT mount type)



Part No.	HRS No.	Remark
SMA(R)-300-126B	323-0111-0	Shell : Brass

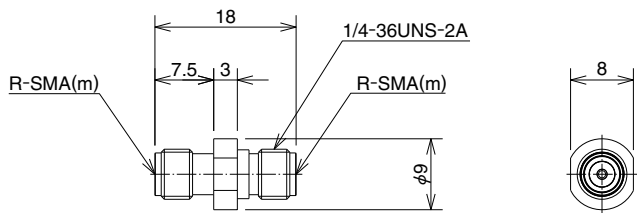
#### ● Straight receptacle (Edge mount type)



Part No.	HRS No.	Remark
SMA(R)-R-ELBG-1	323-0866-3	PCB Thickness 1.6mm

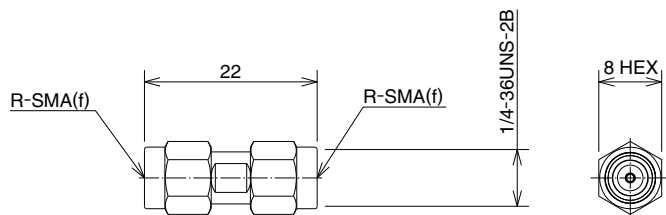
### In-line Adapters

#### ● Jack - Jack



Part No.	HRS No.	Remark
SMA(R)-A-JJ	323-0124-0	Shell : Stainless steel

#### ● Plug - Plug

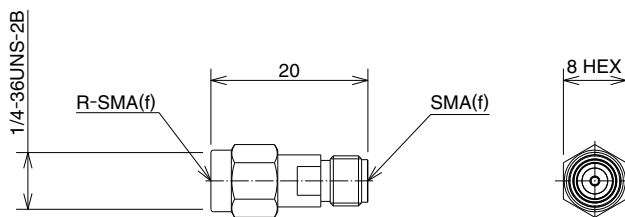


Part No.	HRS No.	Remark
SMA(R)-A-PP	323-0127-0	Shell : Stainless steel

Aug.1.2018 Copyright 2018 HIROSE ELECTRIC CO., LTD. All Rights Reserved.

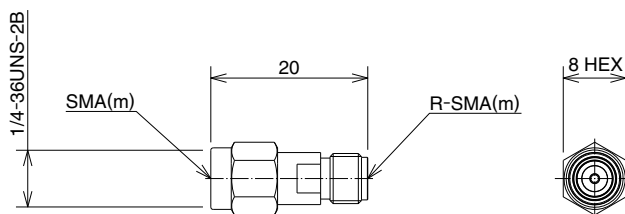
### ■ SMA Conversion Adapters

#### ● SMA jack - RP-SMA plug



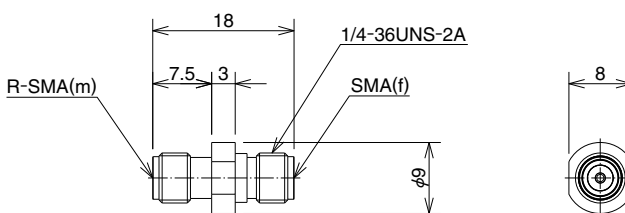
Part No.	HRS No.	Remark
HRMJ-SMA(R)P	323-0035-0	Shell : Stainless steel

#### ● SMA plug - RP-SMA jack



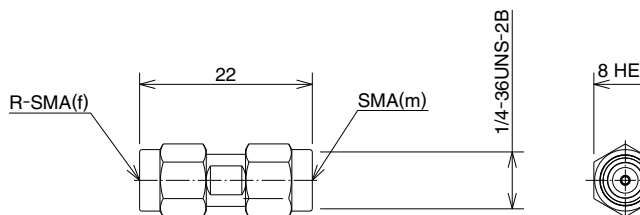
Part No.	HRS No.	Remark
HRMP-SMA(R)J	323-0036-0	Shell : Stainless steel

#### ● SMA jack - RP-SMA jack



Part No.	HRS No.	Remark
HRMJ-SMA(R)J	323-0011-0	Shell : Stainless steel

#### ● SMA plug - RP-SMA plug

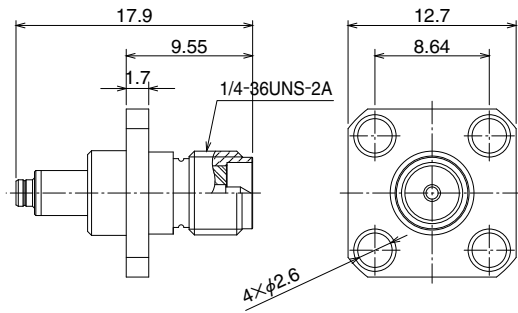


Part No.	HRS No.	Remark
HRMP-SMA(R)P	323-0009-0	Shell : Stainless steel



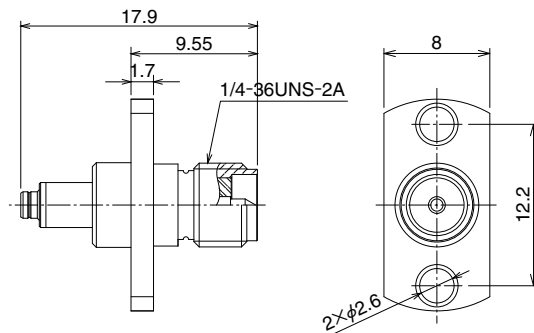
## U.FL-J Conversion Adapters

### ● Panel adapter (Panel 4 hole)



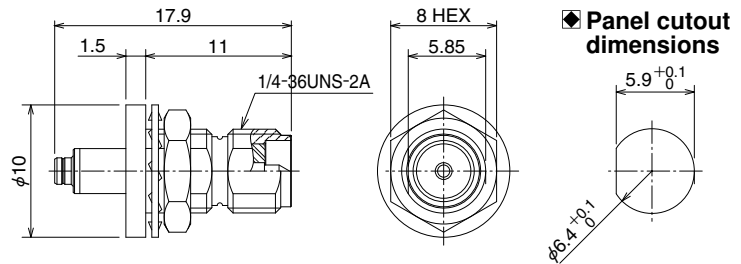
Part No.	HRS No.	Remark
SMA(R)J-U.FLJ-PA4	311-0466-5	Shell : Brass

### ● Panel adapter (Panel 2 hole)



Part No.	HRS No.	Remark
SMA(R)J-U.FLJ-PA2	311-0468-0	Shell : Brass

### ● Panel adapter (Bulkhead type)



Part No.	HRS No.	Remark
SMA(R)J-U.FLJ-BPA-4	311-0464-0	Shell : Brass



## HIROSE ELECTRIC CO.,LTD.

2-6-3,Nakagawa Chuoh,Tsuzuki-Ku,Yokohama-Shi 224-8540,JAPAN  
 TEL: +81-45-620-3526 Fax: +81-45-591-3726  
<http://www.hirose.com>  
<http://www.hirose-connectors.com>