



Chipsmall Limited consists of a professional team with an average of over 10 year of expertise in the distribution of electronic components. Based in Hongkong, we have already established firm and mutual-benefit business relationships with customers from,Europe,America and south Asia,supplying obsolete and hard-to-find components to meet their specific needs.

With the principle of “Quality Parts,Customers Priority,Honest Operation,and Considerate Service”,our business mainly focus on the distribution of electronic components. Line cards we deal with include Microchip,ALPS,ROHM,Xilinx,Pulse,ON,Everlight and Freescale. Main products comprise IC,Modules,Potentiometer,IC Socket,Relay,Connector.Our parts cover such applications as commercial,industrial, and automotives areas.

We are looking forward to setting up business relationship with you and hope to provide you with the best service and solution. Let us make a better world for our industry!



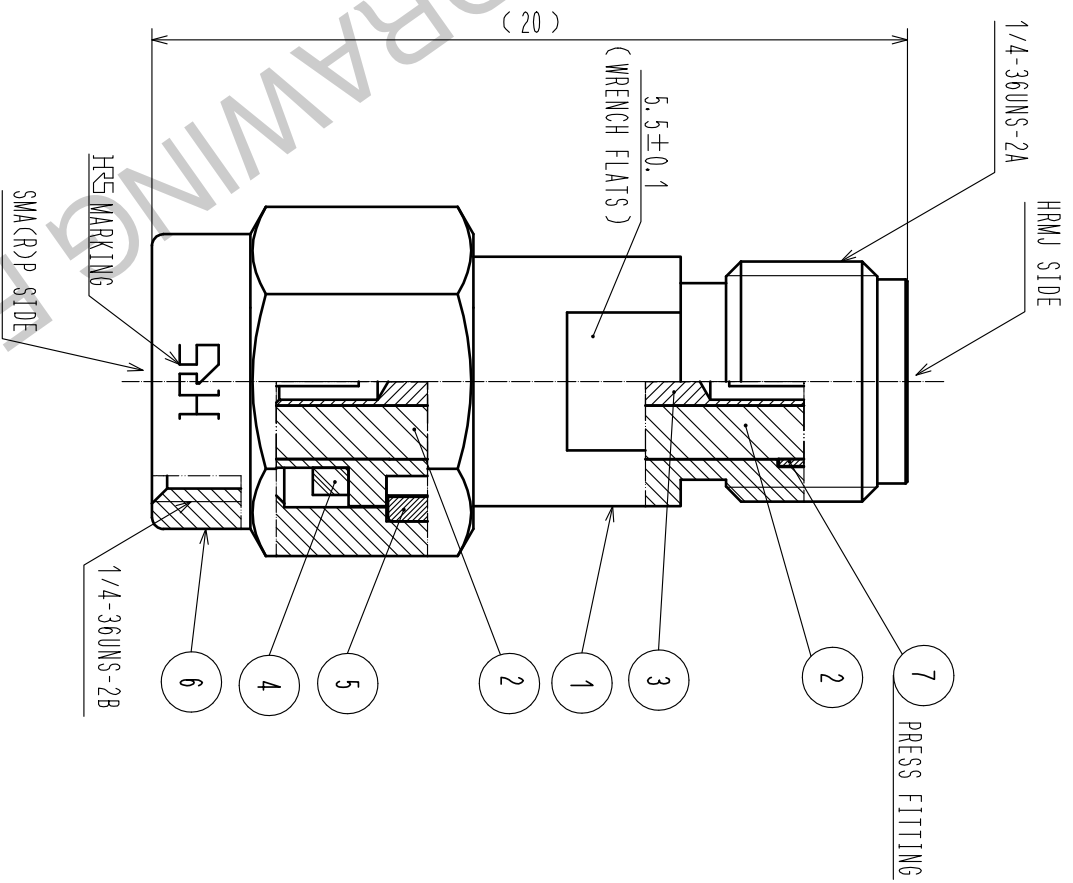
## Contact us

Tel: +86-755-8981 8866 Fax: +86-755-8427 6832

Email & Skype: info@chipsmall.com Web: www.chipsmall.com

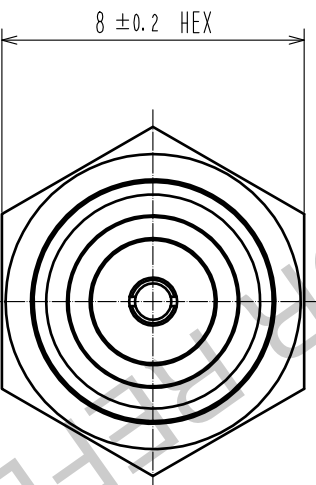
Address: A1208, Overseas Decoration Building, #122 Zhenhua RD., Futian, Shenzhen, China





RoHS COMPLIANT

4	SILICON RUBBER						
3	BERYLLIUM COPPER	GOLD PLATING					
2	PTFE						
1	STAINLESS STEEL	PASSIVATED					
NO.	MATERIAL	FINISH	REMARKS	NO.	MATERIAL	FINISH	REMARKS
				5	BERYLLIUM COPPER	NICKEL PLATING	
				6	STAINLESS STEEL	PASSIVATED	
				7	STAINLESS STEEL	PASSIVATED	



UNITS	SCALE	COUNT	DESCRIPTION OF REVISIONS	DESIGNED	CHECKED	DATE
mm	5 : 1					

APPROVED : KY. SHIMIZU	16.07.08	DRAWING NO.	EDC-366797-00-00
CHECKED : KY. SHIMIZU	16.07.08	PART NO.	HRMJ-SMA(R)P
DESIGNED : MH. OGUSU	16.07.08	CODE NO.	CL323-0035-0-00
DRAWN : MH. OGUSU	16.07.08		