



Chipsmall Limited consists of a professional team with an average of over 10 year of expertise in the distribution of electronic components. Based in Hongkong, we have already established firm and mutual-benefit business relationships with customers from,Europe,America and south Asia,supplying obsolete and hard-to-find components to meet their specific needs.

With the principle of “Quality Parts,Customers Priority,Honest Operation,and Considerate Service”,our business mainly focus on the distribution of electronic components. Line cards we deal with include Microchip,ALPS,ROHM,Xilinx,Pulse,ON,Everlight and Freescale. Main products comprise IC,Modules,Potentiometer,IC Socket,Relay,Connector.Our parts cover such applications as commercial,industrial, and automotives areas.

We are looking forward to setting up business relationship with you and hope to provide you with the best service and solution. Let us make a better world for our industry!



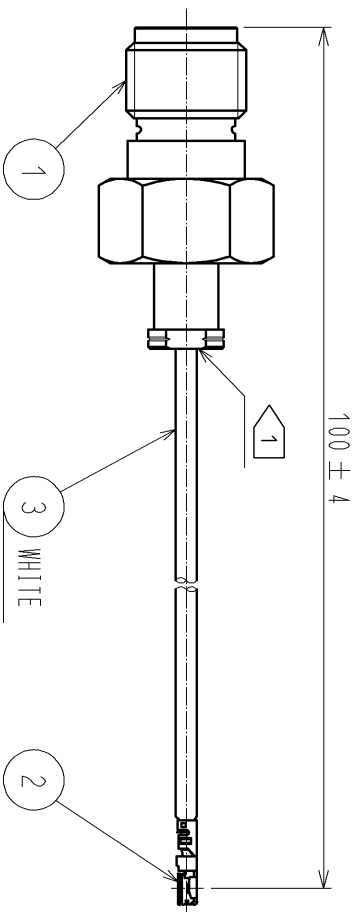
## Contact us

Tel: +86-755-8981 8866 Fax: +86-755-8427 6832

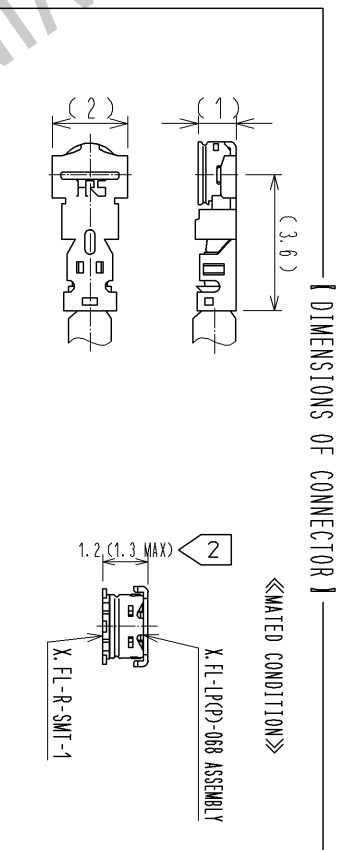
Email & Skype: info@chipsmall.com Web: www.chipsmall.com

Address: A1208, Overseas Decoration Building, #122 Zhenhua RD., Futian, Shenzhen, China



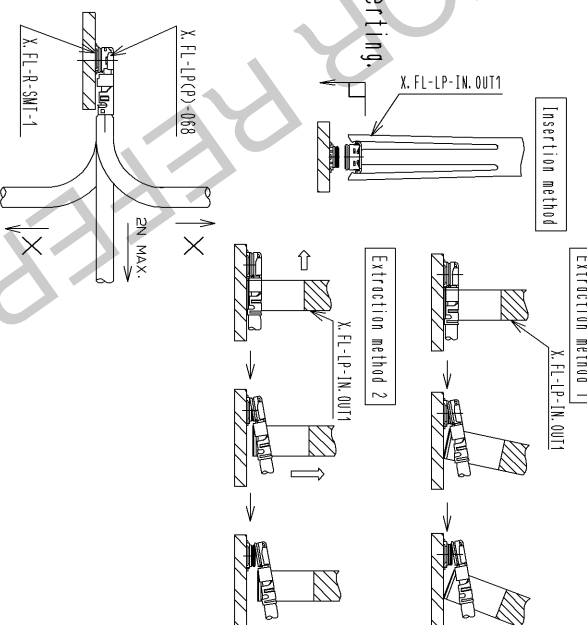


NOTE  
 1 Do not apply any excessive stress to the cable assembly position.  
 2 The drawing shows mated connector height only.



1 PRECAUTIONS FOR HANDLING

- ◆ Connector insertion and extraction
  - a. Insert the connector as perpendicularly to the mating surface as possible with aligning the mating axes of both connectors by specialised insertion JIG.  
 Part No. : W.FL-LP-IN(CL331-0323-2) or X.FL-LP-IN.0UT1(CL331-0715-2)  
 Do not excessively slant the connectors when inserting.
  - b. connector shall be extracted by specialised extraction JIG.  
 Part No. : X.FL-LP-IN.0UT1(CL331-0715-2)  
 Never hold the cable when extracting the cable because it damages the connector.
- ◆ Allowable loads on the cable after the connectors are mated.  
 The right figures show the maximum allowable loads on the cable.  
 Do not apply loads exceeding these values to the cable.



ROHS COMPLIANT

NO.	2	X.FL-LP(P)-068	CL331-0714-0-00	NO.	3	FMS5064(WHITE)	KURABE INDUSTRIAL CO., LTD.
NO.	1	HRM-200-066JBN(40)	CL323-0793-1-40	NO.			MANUFACTURER

UNITS	mm	SCALE	FREE	COUNT	DESCRIPTION OF REVISIONS	DESIGNED	CHECKED	DATE

**HRS**  
 HIROSE ELECTRIC CO., LTD.

APPROVED : KY. SHIMIZU	14.11.17	DRAWING NO.	EDC4-361456-01
CHECKED : TO. KATAYAMA	14.11.17	PART NO.	HRMJ-X.FL-068K3TS-A-100RS
DESIGNED : YI. FUNADA	14.11.14	CODE NO.	CL321-6605-0-01
DRAWN : YI. FUNADA	14.11.14		