



Chipsmall Limited consists of a professional team with an average of over 10 year of expertise in the distribution of electronic components. Based in Hongkong, we have already established firm and mutual-benefit business relationships with customers from,Europe,America and south Asia,supplying obsolete and hard-to-find components to meet their specific needs.

With the principle of “Quality Parts,Customers Priority,Honest Operation,and Considerate Service”,our business mainly focus on the distribution of electronic components. Line cards we deal with include Microchip,ALPS,ROHM,Xilinx,Pulse,ON,Everlight and Freescale. Main products comprise IC,Modules,Potentiometer,IC Socket,Relay,Connector.Our parts cover such applications as commercial,industrial, and automotives areas.

We are looking forward to setting up business relationship with you and hope to provide you with the best service and solution. Let us make a better world for our industry!



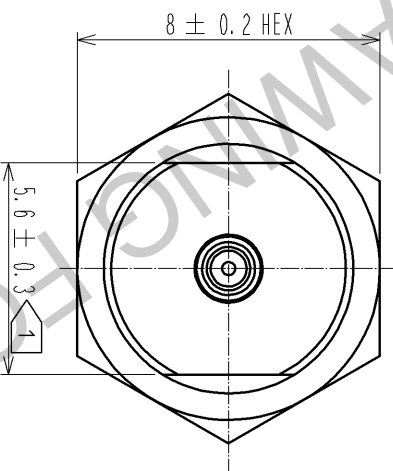
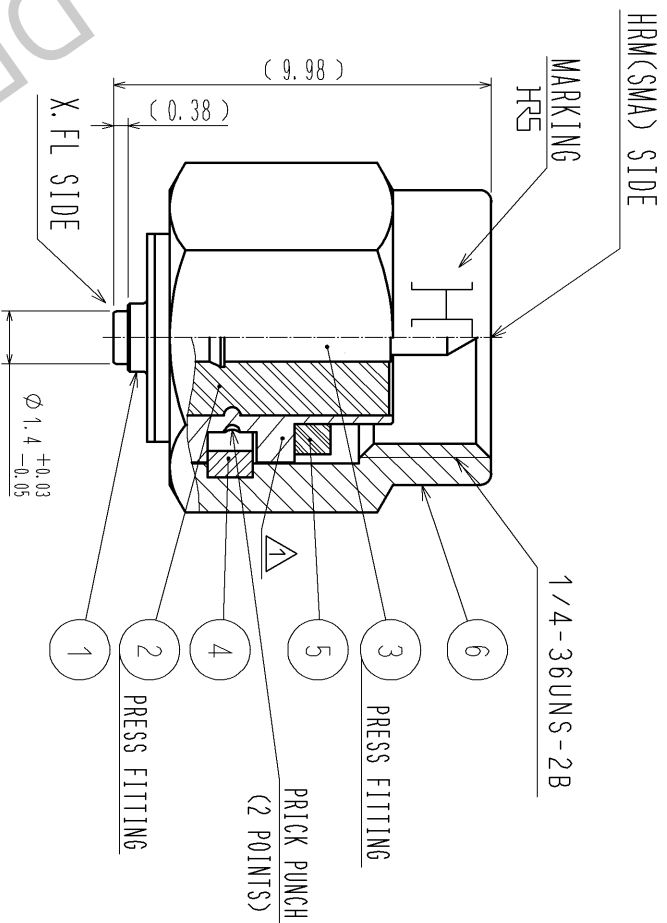
Contact us

Tel: +86-755-8981 8866 Fax: +86-755-8427 6832


Email & Skype: info@chipsmall.com Web: www.chipsmall.com

Address: A1208, Overseas Decoration Building, #122 Zhenhua RD., Futian, Shenzhen, China





NOTE. USE ONLY FOR ELECTRICAL MEASUREMENT BECAUSE OF NO LOCKING DEVICE IN MATING PORTION ON X.FL SIDE.

 It is shape to distinguish from HRMP-W.FLJ(40) and HRMP-W.FL2J.

ROHS COMPLIANT

3	PHOSPHOR BRONZE	GOLD PLATING	6	STAINLESS STEEL	PASSIVATE		
2	PTFE		5	SILICONE RUBBER	(RED)		
1	STAINLESS STEEL	NICKEL PLATING	4	BERYLLIUM COPPER	NICKEL PLATING		
NO.	MATERIAL	FINISH .	REMARKS	NO.	MATERIAL	FINISH .	REMARKS

UNITS	SCALE	COUNT	DESCRIPTION OF REVISIONS	DESIGNED	CHECKED	DATE
mm	5 : 1	2	DIS-D-001984	YI.FUNADA	NK.NINOMIYA	10.10.04
APPROVED : MH.YAMANE		10.03.21		DRAWING NO.		EDC4-319144-00
CHECKED : NK.NINOMIYA		10.03.20		PART NO.		HRMP-X.FLJ
DESIGNED : MY.KOJIMA		10.03.18		CODE NO.		CL311-0435-1-00
DRAWN : MY.KOJIMA		10.03.18		NO.		

HRS HIROSE ELECTRIC CO., LTD.

FORM HCO011-5-51

2 3 4

