



Chipsmall Limited consists of a professional team with an average of over 10 year of expertise in the distribution of electronic components. Based in Hongkong, we have already established firm and mutual-benefit business relationships with customers from,Europe,America and south Asia,supplying obsolete and hard-to-find components to meet their specific needs.

With the principle of “Quality Parts,Customers Priority,Honest Operation,and Considerate Service”,our business mainly focus on the distribution of electronic components. Line cards we deal with include Microchip,ALPS,ROHM,Xilinx,Pulse,ON,Everlight and Freescale. Main products comprise IC,Modules,Potentiometer,IC Socket,Relay,Connector.Our parts cover such applications as commercial,industrial, and automotives areas.

We are looking forward to setting up business relationship with you and hope to provide you with the best service and solution. Let us make a better world for our industry!



Contact us

Tel: +86-755-8981 8866 Fax: +86-755-8427 6832

Email & Skype: info@chipsmall.com Web: www.chipsmall.com

Address: A1208, Overseas Decoration Building, #122 Zhenhua RD., Futian, Shenzhen, China



HS L1.5 Door Stop Extension Spacer for Egress Doors

Required Tools and Components

PROVIDED BY MANUFACTURER

(per module set)

- [1] Door Stop Extension Plate
Part. No. 1524

PROVIDED BY INSTALLER

Phillip screwdriver or a Phillips bit
for use in the drill/bit-driver

Blade screwdriver or a blade bit
for use in the drill/bit-driver

1/6" SPACERS (4/BAG -
MAGNASPHERE P/N 1270)

HS-L1.5 Switch Module

HS-L1.5 Magnet Module

[2] #8 Flat-head self-tapping screws

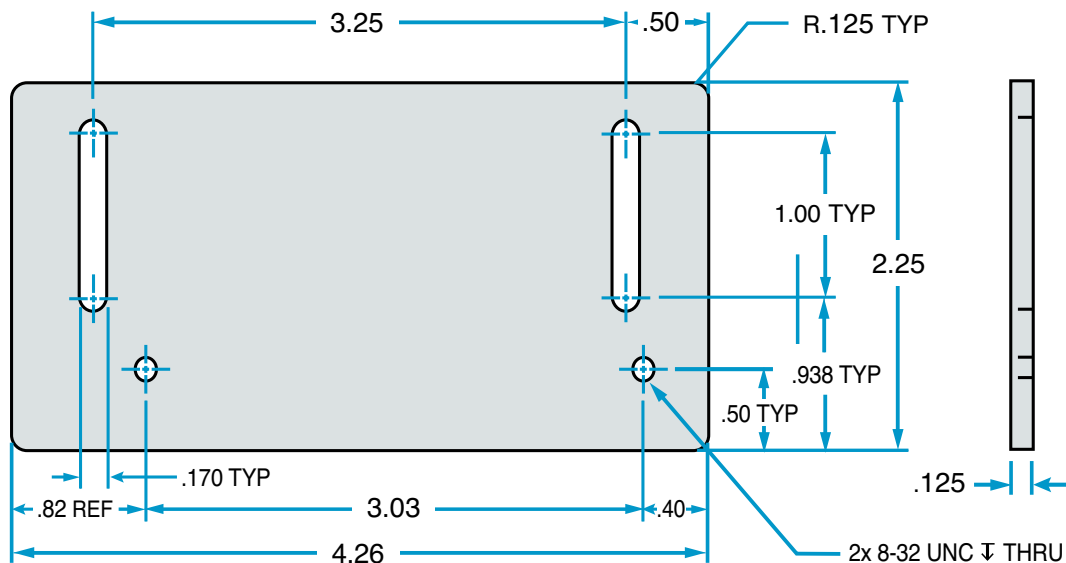
[2] #8 Pan-head screws

[1] #8-32 Pan-head screw

[1] #8-32 Flat-head screw

#8 Tap drill

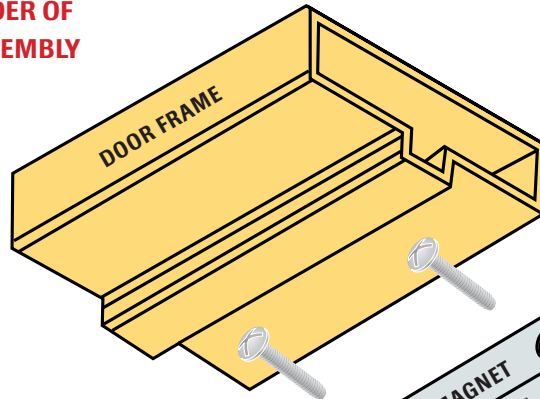
Power drill





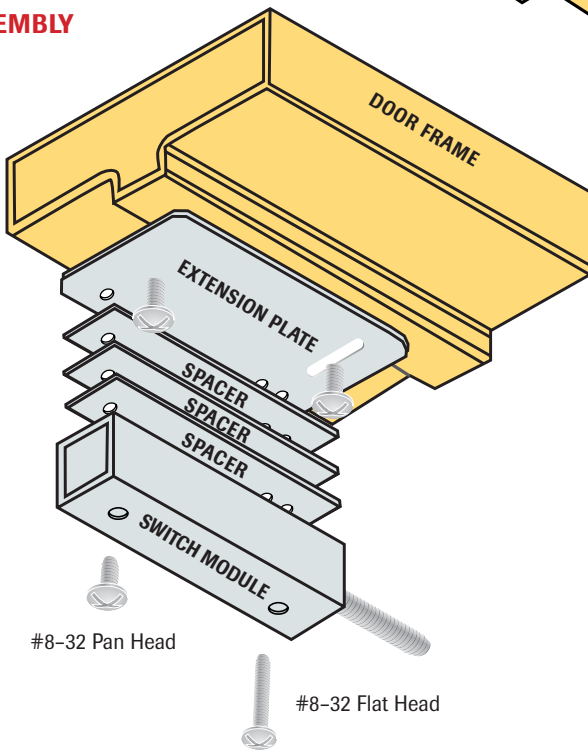
HS L1.5 Door Stop Extension Spacer for Egress Doors

MAGNET MODULE ORDER OF ASSEMBLY



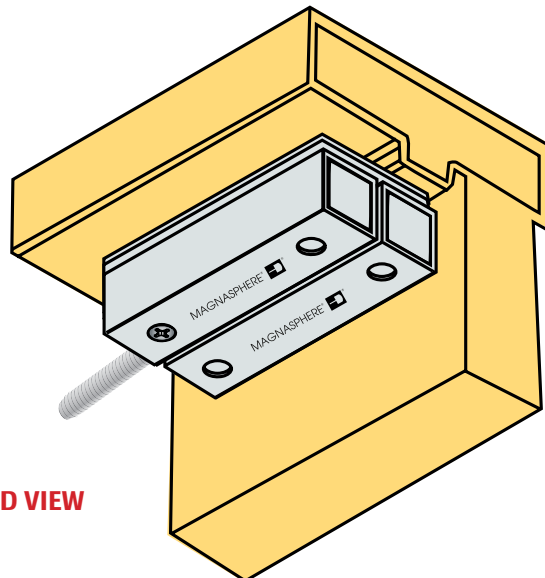
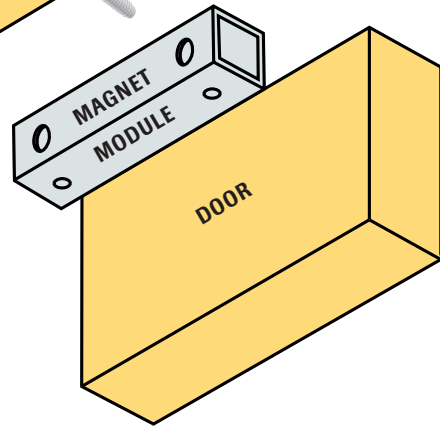
NOTE: 1/16" spacers (P/N 1270 can be used if necessary to achieve the proper operational gap of 0.25".

SWITCH MODULE ORDER OF ASSEMBLY



#8-32 Pan Head

#8-32 Flat Head

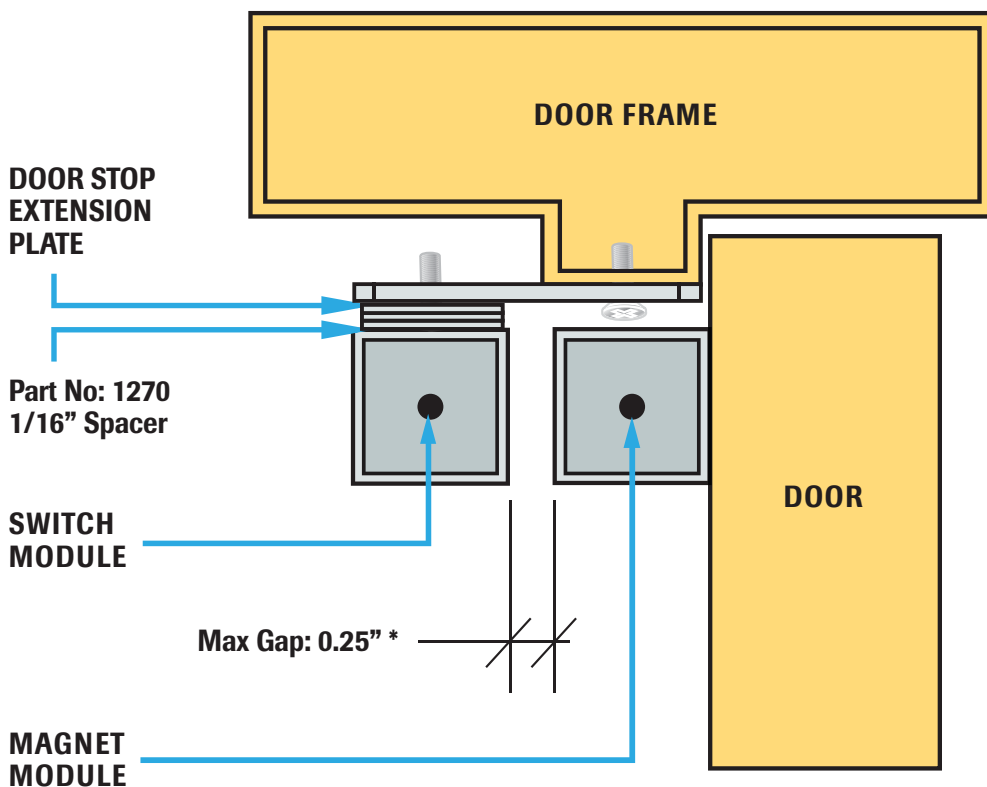


ASSEMBLED VIEW

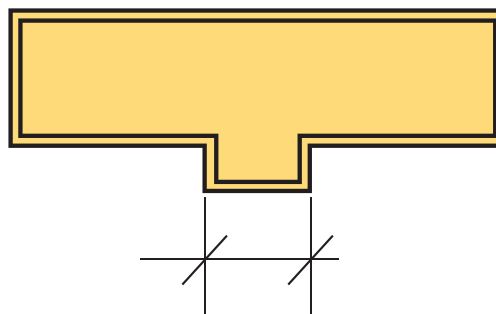
DO NOT over-torque the switch mount screws, doing so will strip the threads.



HS L1.5 Door Stop Extension Spacer for Egress Doors



Extension plate is suitable for egress door set-up with a door stop/jam smaller than 2 inches. No plate should be necessary for most door stops which are at least 2 inches thick.



Less than 2"



Please refer to the HS-L1.5 instructions manual for detailed installation and orientation instructions.