



Chipsmall Limited consists of a professional team with an average of over 10 year of expertise in the distribution of electronic components. Based in Hongkong, we have already established firm and mutual-benefit business relationships with customers from,Europe,America and south Asia,supplying obsolete and hard-to-find components to meet their specific needs.

With the principle of "Quality Parts,Customers Priority,Honest Operation,and Considerate Service",our business mainly focus on the distribution of electronic components. Line cards we deal with include Microchip,ALPS,ROHM,Xilinx,Pulse,ON,Everlight and Freescale. Main products comprise IC,Modules,Potentiometer,IC Socket,Relay,Connector.Our parts cover such applications as commercial,industrial, and automotives areas.

We are looking forward to setting up business relationship with you and hope to provide you with the best service and solution. Let us make a better world for our industry!



Contact us

Tel: +86-755-8981 8866 Fax: +86-755-8427 6832

Email & Skype: info@chipsmall.com Web: www.chipsmall.com

Address: A1208, Overseas Decoration Building, #122 Zhenhua RD., Futian, Shenzhen, China



4

3

2

1

D

D

C

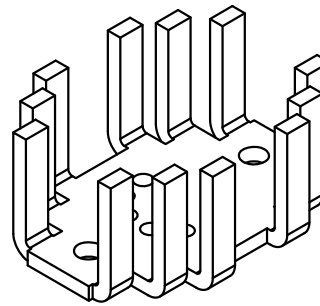
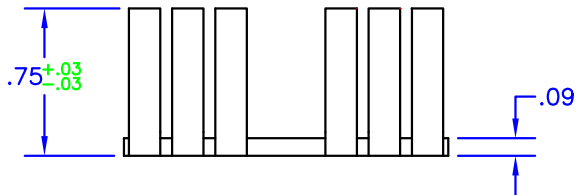
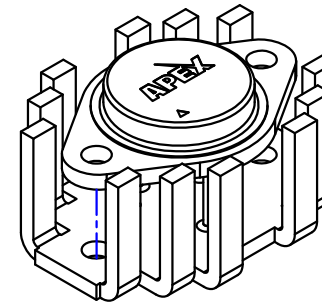
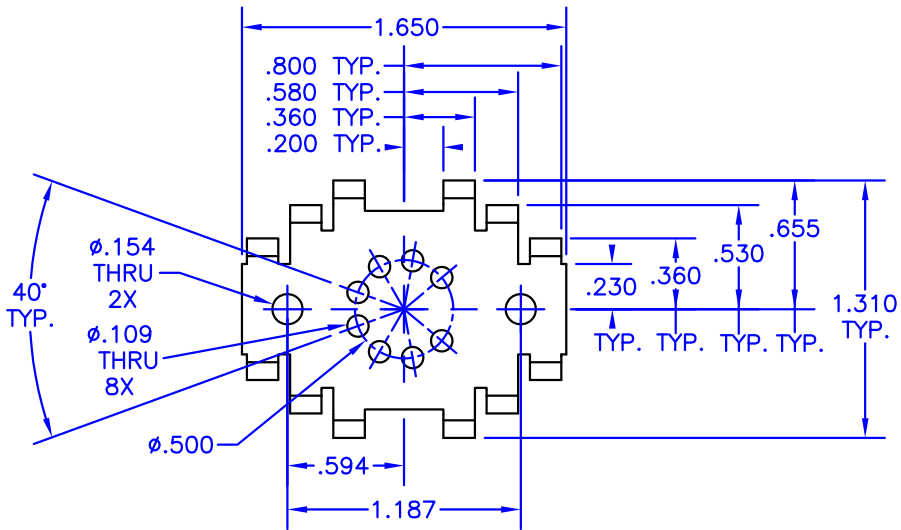
C

B

B

A

A



NOTES:

1. Unless otherwise noted, all dimensions are in inches.
2. Break all sharp edges, de-burr & remove loose chips.
3. Material: Aluminum alloy.
4. Finish: Anodize per MIL-A-8625, Type II, Class 2, Black
Typical breakdown voltage > 300V.
5. Mark with contrasting ink as shown, if specified by P.O.
6. Approximate Weight: 0.4 oz [11g].
7. Vendor: Aavid Thermalloy Extrusion 329241.
8. Thermal rating: 11.7 °C/W

TOLERANCES - UNLESS OTHERWISE SPECIFIED	
.XX = ±.01 [254]	
.XXX = ±.005 [127]	
ANG. = ±5°	



TITLE: HEATSINK, T03		MODEL:	
SUBJECT: MECHANICAL DRAWING			
ENGINEER: D-M	DRAWN BY: RMOR	DCA: 14295	SH. OF 1 1

HS09		FILENAME: HS09	REV: H	DATE: 02SEP14
-------------	--	----------------	--------	---------------

4

3

2

1

THIS PAGE LEFT BLANK